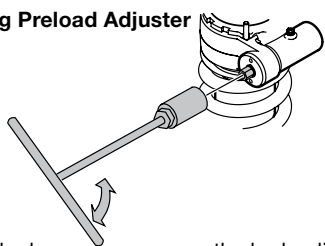


## Adjustments

### ⚠ Warning!

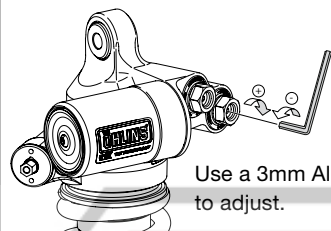
Before riding, always make sure that the basic settings made by Öhlins are according to recommended Set-up Data. Read about adjustments and setting up in the Öhlins Owner's Manual before you make any adjustments. Contact an Öhlins dealer if you have any questions about setting up the shock absorber.

### Spring Preload Adjuster

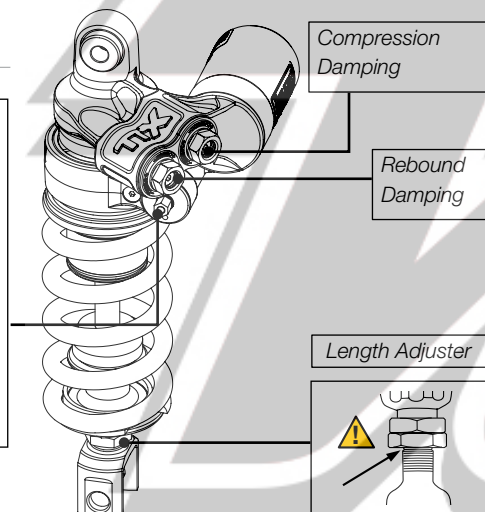


Turn the hexagon screw on the hydraulic adjuster. Turn clockwise to increase, turn counter clockwise to decrease.

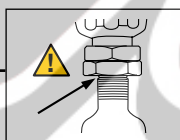
### Compression and Rebound Adjuster



Use a 3mm Allen key to adjust.



### Length Adjuster



## Set-up Data

### Recommended set-up

Rebound	12 clicks
Compression	12 clicks
Spring Preload	13 mm

Shock absorber length	302 $\frac{1}{2}$ mm
Stroke	65 mm
Spring	21040-31 (95 N/mm)
Free spring length	160 $\frac{2}{3}$ mm

Öhlins products are subject to continuous improvement and development, therefore, although these instructions include the most up-to-date information available at the time of printing, minor updates may occur.

To find the latest information contact your Öhlins distributor. Please consult your Öhlins dealer if you have any questions regarding the contents in this document.

Part no. YA\_932\_0  
Issued 2012-03-14

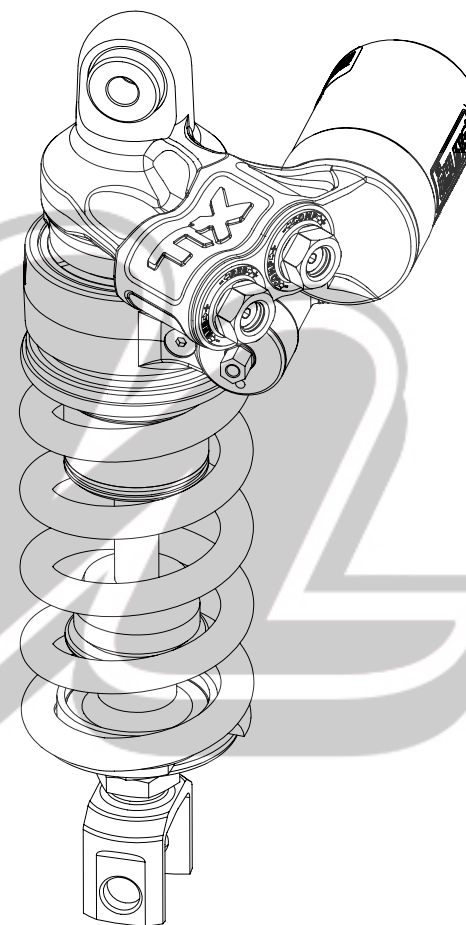


© Öhlins Racing AB. All rights reserved. Any reprinting or unauthorized use without the written permission of Öhlins Racing AB is prohibited.

Öhlins Racing AB  
Box 722  
S-194 27 Upplands Väsby, Sweden  
Phone +46 8 590 025 00  
fax +46 8 590 025 80



[www.ohlins.com](http://www.ohlins.com)



Before installing this product, check the contents of the kit. If anything is missing, please contact an Öhlins dealer.

### Kit Contents

	Part No.	Pcs.
Shock absorber	YA 932	1
Öhlins Sticker	00192-01	2
Memo Notes Sticker	01180-01	1
Owner's Manual	07242-01	1

Please note that during storage and transportation, especially at high ambient temperature, some of the oil and grease used for assembling may leak and stain the packaging. This is in no way detrimental to the product, wipe off the excessive oil/grease with a cloth.

### ⚠ Warning!

Before installing this product, read the Öhlins Owner's Manual. The shock absorber is an important part of your vehicle and will affect the stability.

## Shock Absorber for Yamaha R1 YA 932

### Mounting Instructions



**⚠ Warning!**

*It is advisable to have an Öhlins dealer install the shock absorber.*

*When installing, read the Vehicle Service Manual.*

**1**

Put the motorcycle on a workstand so that the rear wheel barely touches the ground.

**⚠ Warning!**

*Make sure the vehicle is securely supported so that it will not tip.*

**2**

Remove the lower and upper attachments of the original shock absorber.

**3**

Remove the shock absorber upwards.

**👁 Note!**

*Recommendation! Before installing the Öhlins shock absorber:*

- Clean the vehicle thoroughly
- Adjust the length of the shock absorber (check the headlight angle after adjusting the length!)

**4**

Install the Öhlins shock absorber in the same way as the original unit. Use the original screws.

**👁 Note!**

*Lower the motorcycle so that the shock absorber is slightly compressed, before tightening the screws.*

**⚠ Warning!**

*Make sure that all screws are tightened to the correct torque and that nothing fouls or restricts movement of the shock absorber when the suspension is fully compressed or extended.*

