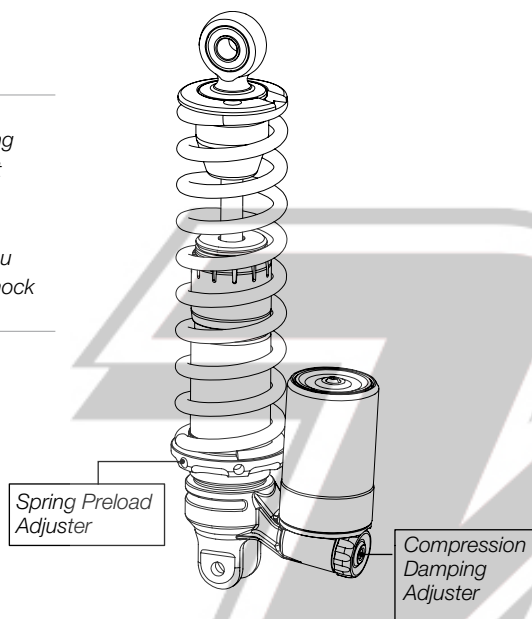


Adjustments

⚠ Warning!

Before riding, always make sure that the basic settings made by Öhlins are according to recommended Set-up Data. Read about adjustments and setting up in the Öhlins Owner's Manual before you make any adjustments. Contact an Öhlins dealer if you have any questions about setting up the shock absorber.



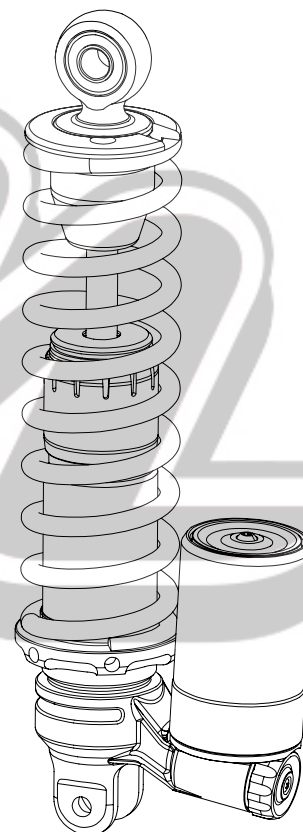
Set-up Data

Recommended set-up

Spring Preload 7 mm
Compression 12 clicks

Shock Absorber Data

Length 297 mm
Stroke 78 mm



Before installing this product, check the contents of the kit. If anything is missing, please contact your nearest Öhlins dealer.

Kit Contents

	Part No.	Pcs.
Shock Absorber	YA928	1
Washer	03118-11	1
Tool adjuster	03199-01	1
Spacer	21810-01	2
Sticker	00192-01	2
Memo Notes Sticker	01180-01	1
Owner's Manual	07241-02	1

Please note that during storage and transportation, especially at high ambient temperature, some of the oil and grease used for assembling may leak and stain the packaging. This is in no way detrimental to the product, wipe off the excessive oil/grease with a cloth.

⚠ Warning!

Before installing this product, read the Öhlins Owner's Manual. The shock absorber is an important part of your vehicle and may affect the stability of your vehicle.

Öhlins products are subject to continuous improvement and development, therefore, although these instructions include the most up-to-date information available at the time of printing, minor updates may occur.

To find the latest information contact your Öhlins distributor. Please consult your Öhlins dealer if you have any questions regarding the contents in this document.

Part no. YA_928_0
Issued 2010-01-11



Shock Absorber for Yamaha Mio/Fino + Honda Click YA 928

Mounting Instructions

© Öhlins Racing AB. All rights reserved. Any reprinting or unauthorized use without the written permission of Öhlins Racing AB is prohibited.

Öhlins Racing AB
Box 722
S-194 27 Upplands Väsby, Sweden
Phone +46 8 590 025 00
fax +46 8 590 025 80



www.ohlins.com



How to install

⚠ Warning!

It is advisable to have an Öhlins dealer install the shock absorber.

When installing, consult your Vehicle Service Manual.

👁 Note!

Before installing the Öhlins shock absorber clean the vehicle thoroughly.

1

Put the motorcycle on a workstand so that the rear wheel barely touches the ground.

⚠ Warning!

Make sure the vehicle is securely supported so that it will not tip.

2

Remove the seat, side cover and drive belt cover.

3

Install the Öhlins shock absorber, the reservoir down and pointing towards the rear. Install the upper attachment according to the figure.

👁 Note!

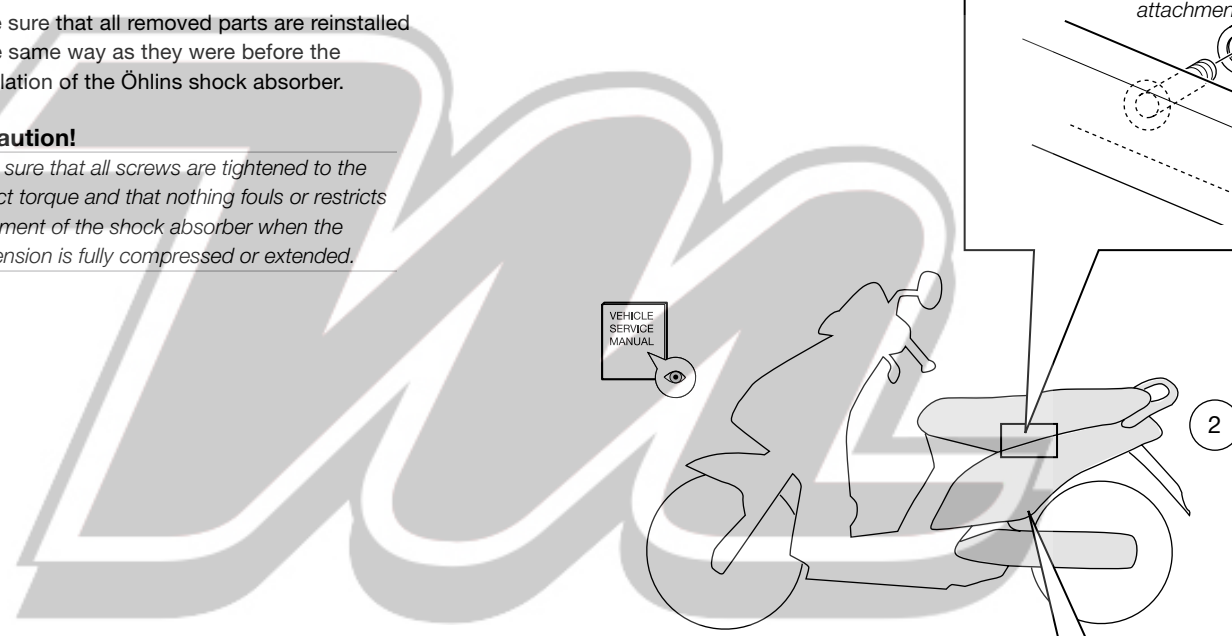
Lower the motorcycle so that the shock absorber is slightly compressed, before tightening the screws.

4

Make sure that all removed parts are reinstalled in the same way as they were before the installation of the Öhlins shock absorber.

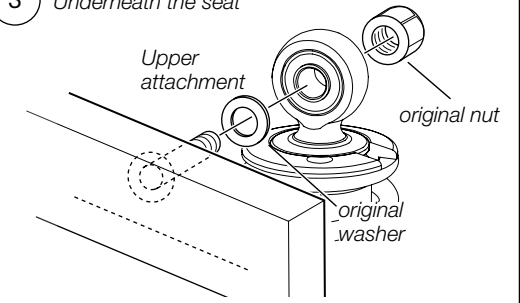
👉 Caution!

Make sure that all screws are tightened to the correct torque and that nothing fouls or restricts movement of the shock absorber when the suspension is fully compressed or extended.



How to install

3 Underneath the seat



HONDA CLICK only:

