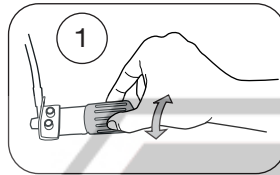


ADJUSTMENTS

Always ensure that the basic settings made by Öhlins are intact.

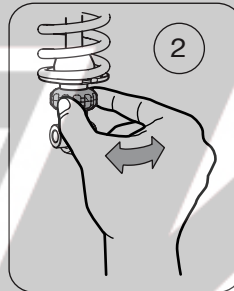
1 Spring Preload

Turn the knob on the hydraulic preload adjuster to set the spring preload. Turn clockwise to increase the preload, turn counter clockwise to decrease it.



2 Rebound

Turn the wheel on the piston shaft above the end eye/bracket. Turn clockwise to increase damping, turn counter clockwise to decrease.



NOTE!

When delivered the Öhlins shock absorber is dialed to the recommended settings for the specific vehicle model. If you have changed the setting, reset according to the following:

The adjuster has a right hand thread. Turn the adjuster clockwise to fully closed (pos. zero [0]). Turn counter clockwise to open and count the clicks until you reach the recommended number (see Set-up Data).

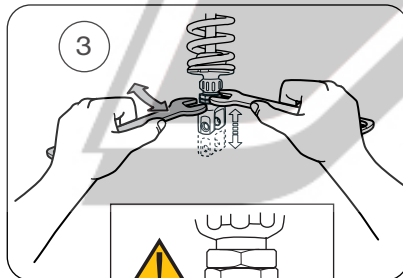
CAUTION!

Do not use force, delicate sealing surfaces can be damaged. Handtighten only.

3 Length

We recommend you to adjust the length before installing the shock absorber to the vehicle. Use two wrenches. Hold the upper nut with one hand and at the same time loosen the lock nut (lower nut). Turn the end eye/ bracket to the desired length. Lock the lock nut.

Tightening torque: 40 Nm



⚠ WARNING!

The adjustable end eye/bracket must not be threaded out more than that the groove is fully visible beneath the lock nut. This is maximum length. After adjusting, make sure that the lock nut is tightened.

Mounting Instructions

WITH SET-UP DATA

SHOCK ABSORBER YA714 for Yamaha XV 1700 Road Warrior

Before installing this shock absorber, check the contents of the kit listed below. If anything is missing, please contact your nearest Öhlins dealer.

Kit Contents:

	Part no.	Pcs.
Shock absorber	YA714	1
Bracket	20031-03	1
Screw K6S M6x12	05404-01	2
Öhlins Sticker black	00191-13	2
Öhlins Sticker white	00191-20	2
Memo Notes Sticker	01180-01	1
Owner's Manual	07241-02	1

During storage and transportation, especially at high ambient temperature, some of the oil and grease used for assembling may leak and stain the packaging. This is in no way detrimental to the product, wipe off the excessive oil/grease with a cloth.

Set-up Data

Spring preload	17 mm	Shock absorber length	311 ⁺⁰ ₋₁₂ mm
Rebound damping	16 clicks	Stroke	41,5 mm
		Spring	21115-49
		Free spring length	150 ⁺³ mm

Before installing this product, read the Öhlins Owner's Manual!



HOW TO INSTALL

⚠ WARNING!

It is advisable to have an Öhlins dealer install the shock absorber.

1

Put the motorcycle on a workstand so that the rear wheel barely touches the ground.

⚠ WARNING!

Make sure the vehicle is securely supported so that it will not tip.

2

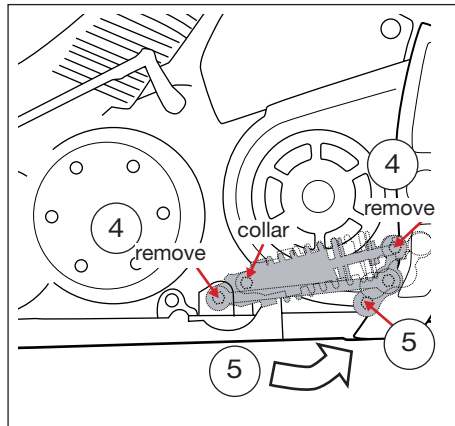
Loosen and gently fold down the lower belt drive cover, without removing it from the vehicle.

3

Remove the horn.

4

Loosen the nut to the front attachment of the original shock absorber. Remove the rear attachment screws.



5

Loosen the whole unit with shock absorber, pull rods and triangle link so that the collar of the front attachment can be removed.

6

Remove the original shock absorber.

NOTE!

Recommendation! Before installing the Öhlins shock absorber:

- clean the vehicle thoroughly
- adjust the length of the shock absorber (check the headlight angle after adjusting the length!)

7

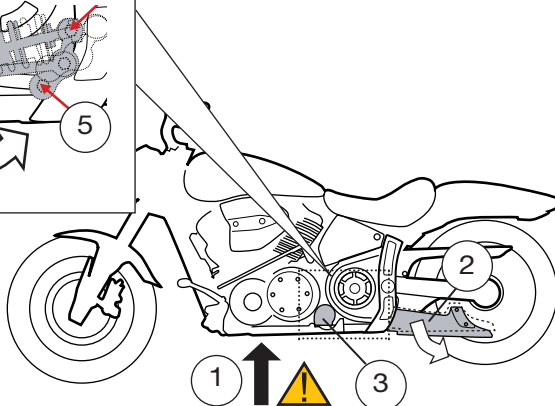
Install the Öhlins shock absorber. Lead the hydraulic preload adjuster hose between the pull rods, between the gear box and brake hoses, out to the right side of the vehicle. Temporarily leave it while attaching the shock absorber.

8

Fasten the front and the rear shock absorber attachments and the triangle link, do not tighten yet.

NOTE!

Lower the motorcycle so that the shock absorber is slightly compressed, before tightening the screws.



9

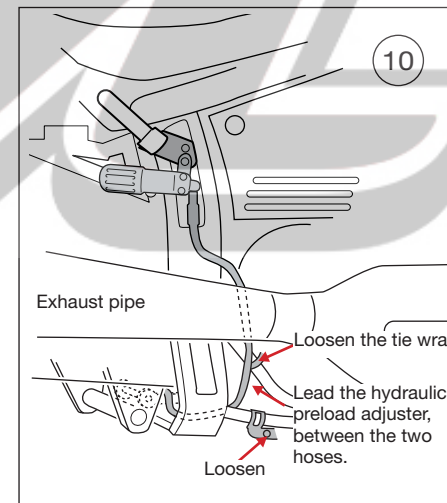
Tighten the front and rear shock absorber attachments and the triangle link.

10

Loosen the screw to the lower brake hose, as indicated in the figure. Loosen the tie wrap to the upper hose. Lead the hose to the hydraulic preload adjuster in between.

11

Install the hydraulic preload adjuster to the bracket provided in this kit, attach the adjuster and the bracket to the lower screw of the passenger foot peg bracket.



⚠ WARNING!

Make sure that the hydraulic preload adjuster hose runs in soft bends. Also check that it does not come in contact with the exhaust pipe or any sharp edges.

12

Reattach the horn and the belt drive cover. Make sure that all removed parts are installed in the same way as they were before the installation.

NOTE!

Make sure that all screws are tightened to the correct torque and that nothing fouls or restricts movement of the shock absorber when the suspension is being fully compressed or extended.

