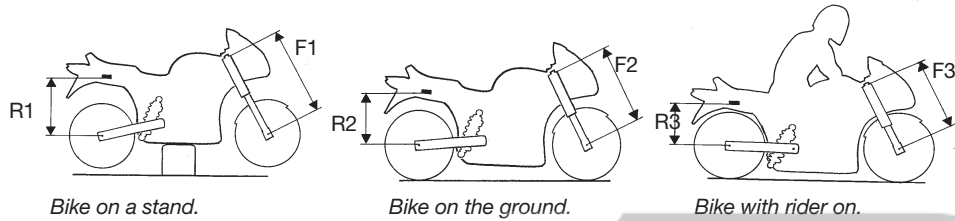


Mounting Instructions

Öhlins shock absorber kit YA 505 for Yamaha R6 2005



Setup data

Shock absorber length	300 (+0/-6) mm
Shock absorber stroke	62 mm
Spring pre-load	10 mm
Rebound damping adjuster	15 clicks
High speed comp. damping adj.	30 clicks
Low speed comp. damping adj.	10 clicks

Checking sag and ride height

Front suspension

F1. Bike on a stand with the suspension fully extended =

F2. Bike on the ground without rider =

F3. Bike on the ground with rider =

Free sag F1 - F2 =

Ride height F1 - F3 =

Rear suspension

R1. Bike on a stand with the suspension fully extended =

R2. Bike on the ground without rider =

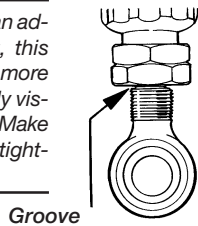
R3. Bike on the ground with rider =

Free sag R1 - R2 =

Ride height R1 - R3 =

WARNING!

If the shock absorber has an adjustable end eye/bracket, this must not be threaded out more than that one groove is fully visible beneath the lock nut. Make sure that the lock nut is tightened after adjustment.



Groove

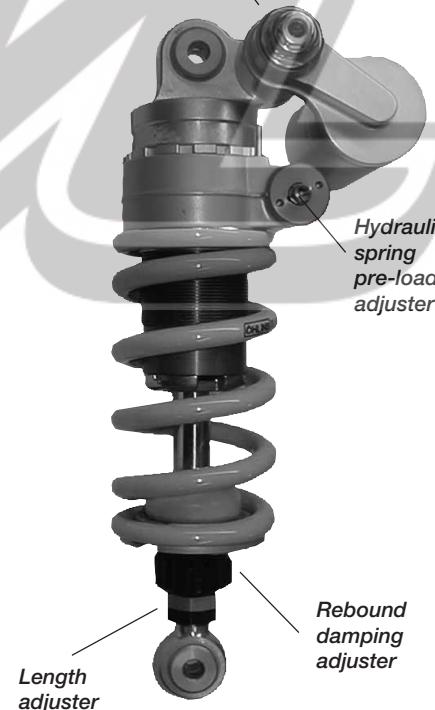
CAUTION!

Do not turn this hexagon.



High speed compression damping adj.

Low speed compression damping adj.



Öhlins shock absorber 46 PRXLS

Your Öhlins shock absorber type 46 PRXLS features the following adjusters:

Compression damping adjuster

Adjustments are made on top of the reservoir. Low speed adjustments: Slotted centre screw. High speed adjustments: Hexagon screw.

Rebound damping adjuster

Adjuster wheel on the piston shaft above the end bracket.

Spring pre-load adjuster

Adjustments are made by turning the screw on the pre-load adjuster device. Clockwise for harder adjustment, counter clockwise to release the pre-load.

Length adjuster

Adjustment is made by turning the end eye and tightening with the lock nut.

NOTE!

When delivered the Öhlins shock absorber is dialed to recommended settings for the specific brand and make of the motorcycle. If you have changed the setting check like this:

The adjusters have a normal right hand tread. Turn the damping adjusters clockwise to fully closed (pos. zero [0]). Turn counter clockwise to open and count the clicks until you reach the recommended number of clicks. See Setup data at page 4.

CAUTION!

Do not use too much force, delicate sealing surfaces can be damaged.



Öhlins Racing AB, Box 722, S-194 27 Upplands Väsby, Sweden.
Phone +46 8 590 025 00. Fax +46 8 590 025 80.
www.ohlins.com

Part No. YA 505. Issued 05 03 10

© Öhlins Racing AB. All rights reserved. Any reprinting or unauthorized use without the written permission of Öhlins Racing AB is prohibited. Printed in Sweden.



Safety signals

Important information concerning safety is distinguished in this manual by the following notations:



The Safety alert symbol means:
Caution! Your safety is involved.

WARNING!

Failure to follow warning instructions could result in **severe or fatal injury** to anyone working with, inspecting or using the suspension, or to bystanders.

CAUTION!

Caution indicates that special precautions must be taken to avoid damage to the suspension.

NOTE!

This indicates information that is of importance with regard to procedures.

Before installation

Öhlins Racing AB can not be held responsible for any damage whatsoever to shock absorber or vehicle, or injury to persons, if the instructions for fitting and maintenance are not followed exactly.

Similarly, the warranty will become null and void if the instructions are not adhered to.

WARNING!

1. *Installing a shock absorber, that is not approved by the vehicle manufacturer, may affect the stability of your vehicle. Öhlins Racing AB cannot be held responsible for any personal injury or damage whatsoever that may occur after fitting the shock absorber. Contact an Öhlins dealer or other qualified person for advice.*

2. *Please study and make certain that you fully understand all the mounting instructions and the owners manuals before handling this shock absorber kit. If you have any questions regarding proper installation procedures, contact an Öhlins dealer or other qualified person.*

3. *The vehicle service manual must be referred to when installing the Öhlins shock absorber*

Öhlins products are subject to continual improvement and development. Consequently, although these instructions include the most up-to-date information available at the time of printing, there may be minor differences between your suspension and this manual. Please consult your Öhlins dealer if you have any questions with regard to the contents of the manual.

NOTE!

During storage and transportation, especially at high ambient temperature, the oil and grease used for assembling may run out inside the packing and damage the expanded polystyrene packing material. This is not unusual and is in no way detrimental to the shock absorber.

Kit contents

Before installing the shock absorber, please check the contents of the kit, listed on the front page of this instruction. If anything is missing, contact your Öhlins dealer.

Description	Pcs.	Part No.
Shock absorber 46 PRXLS	1	YA 505
Sticker memo notes	1	01180-01
Sticker Öhlins	2	00192-01
Owners manual	1	

Mounting instructions

1

Put the motorcycle on a stand so that the rear wheel is off the ground.

WARNING!

1. It's advisable to have an Öhlins dealer or other qualified person to fit your shock absorber.
2. Instructions in the vehicle service manual are to be followed when changing the shock absorber.
3. When working on a lifted vehicle it must be securely supported to prevent it from falling.

2

Remove the lower and upper shock mounting bolts.

3

Remove the shock absorber out to the left side of the motorcycle. Put the Öhlins shock in place in reverse order.

4

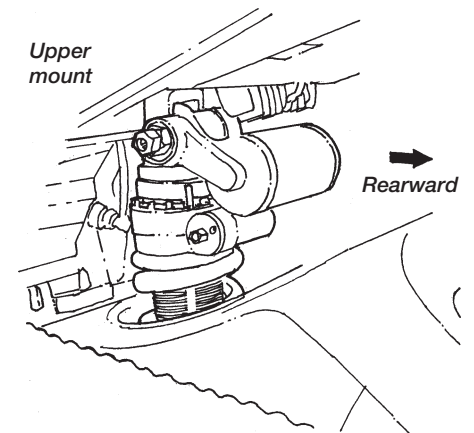
Mount the upper and lower mounting bolts.

NOTE!

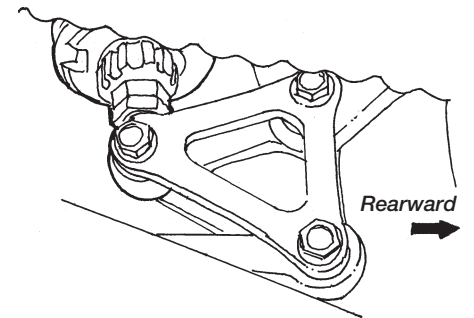
Make sure that all bolts are tightened to the correct torque and that nothing fouls or restricts movement of the shock absorber when the suspension is being fully compressed or extended.

5

Check that all bolts are tightened before you go for a test ride.



Upper mount



Lower mount

WARNING!

The shock absorber is provided with a separate type reservoir filled with high-pressure nitrogen gas. To prevent danger of explosion, study and make certain that you fully understand the following information before handling the shock absorber. The manufacturer cannot be held responsible for damage to property or personal injury that may result from improper handling.

1. Never tamper with or attempt to disassemble the cylinder or the reservoir.
2. Never expose the shock absorber to an open flame or other excessive heat. The shock absorber may otherwise explode due to too high pressure.
3. Be careful not to damage any part of the gas reservoir. A damaged gas reservoir will impair the damping performance or cause malfunction.
4. Take care not to scratch the contact surface of the piston rod of the cylinder; oil could otherwise leak out.
5. Never attempt to remove the plug at the bottom of the nitrogen gas reservoir. Any attempt to remove the plug implies serious danger.
6. When scrapping the shock absorber, follow the instructions for disposal.