

Kit Contents

Description	Part No	Pcs
Shock absorber	TR120	1
Sticker Öhlins	00192-01	2
Tie rap	00231-01	2
Screw MF6Sx14	00382-16	1
Hose clamp stainless	00643-02	2
Sticker Memo notes	01180-01	1
Bracket reservoir	03102-08	1
Screw K6S M6x20	05404-03	2
Owner's manual	07241-02	1

👁 Note!

Please note that this image is a general representation of the product and may differ slightly from your product.

👁 Note!

Please note that during storage and transportation, especially at high ambient temperature, some of the oil and grease used for assembling may leak and stain the packaging. This is in no way detrimental to the product, wipe off the excessive oil/grease with a cloth.

👁 Note!

Before installing this product, check the contents of the kit. If anything is missing, please contact an Öhlins dealer.

⚠ Warning!

Before installing this product, read the Öhlins Owner's Manual. The shock absorber/front fork/steering damper is an important part of your vehicle and will affect the stability.

Shock absorber for Triumph Tiger 800 XC

TR 120

Mounting Instructions

MOUNTING INSTRUCTIONS

⚠ Warning!

It is advisable to have an Öhlins dealer install the shock absorber/front fork/steering damper.

⚠ Warning!

If working on a raised vehicle, ensure it is securely supported so that it will not tip.

👁 Note!

Before mounting this product clean the vehicle thoroughly.

👁 Note!

When working on this product, always see the Vehicle Service Manual for vehicle specific procedures and important data.

1

Put the motorcycle on a workstand so that the rear wheel barely touches the ground.

2

Remove Gear selector linkage and front Sprocket cover.

3

Remove the bolt that connects the front and rear Link.

4

Remove lower Mounting bolt.

5

Remove upper Mounting bolt.

6

Remove the original Gas reservoir.

7

Remove the original shock absorber by pulling it down.

8

Mount the Öhlins shock absorber from below. First, pull the Pre-load adjuster master cylinder and the Gas reservoir between the rear left of the engine and the frame.

9

Mount the upper Mounting bolt.

10

Mount the bolt that connects the front and rear Link.

11

Lift the Swing arm and mount the lower Mounting bolt.

12

Mount the Gas reservoir to the original Frame brackets. Use the Stainless hose clamps provided in the kit.

13

Mount the Pre-load adjuster master cylinder to the Gas reservoir. Use the Bracket provided in the kit.

14

Tie the hoses together at appropriate locations. Use the Tie raps provided in the kit. Ensure there will be no risk of wear.

15

Mount the Gear selector linkage and the front Sprocket cover.

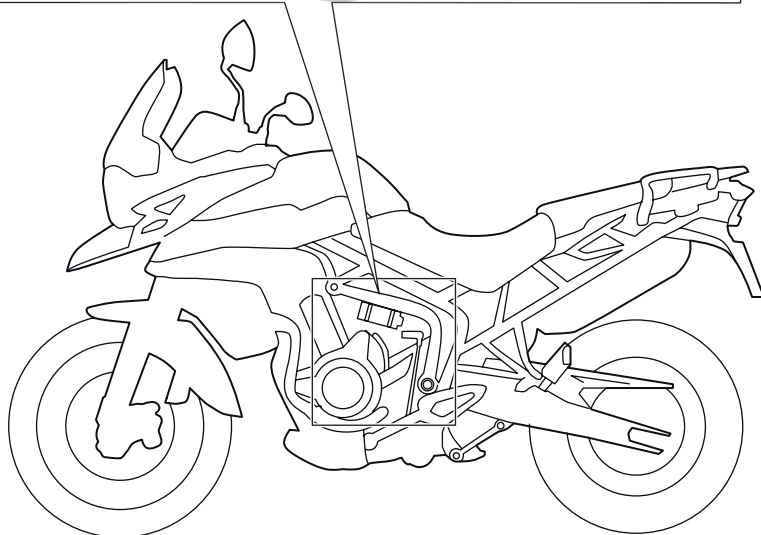
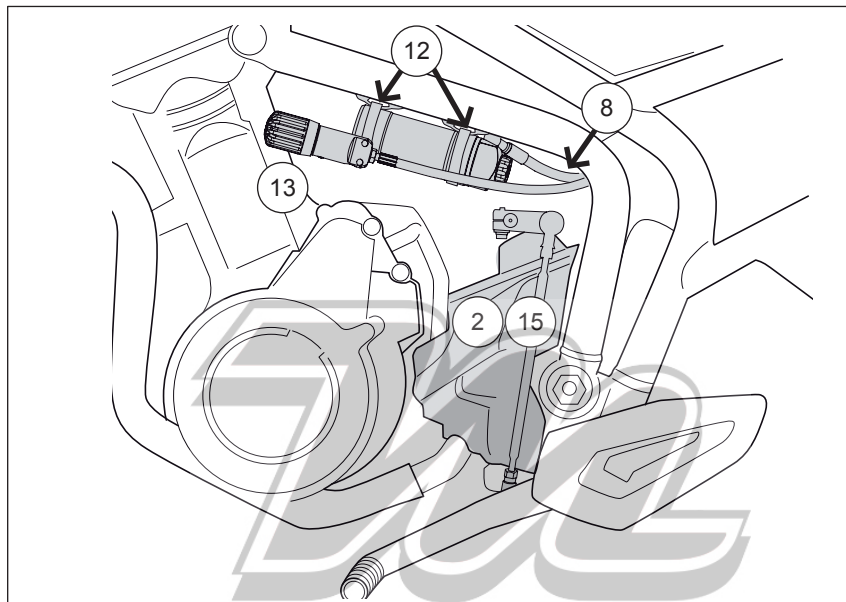
👁 Note!

Lower the vehicle so that the suspension is slightly compressed before tightening the screws.

👋 Caution!

Ensure that all screws are tightened to the correct torque and that nothing fouls or restricts movement of the shock absorber/front fork/steering damper when the suspension is fully compressed or extended.

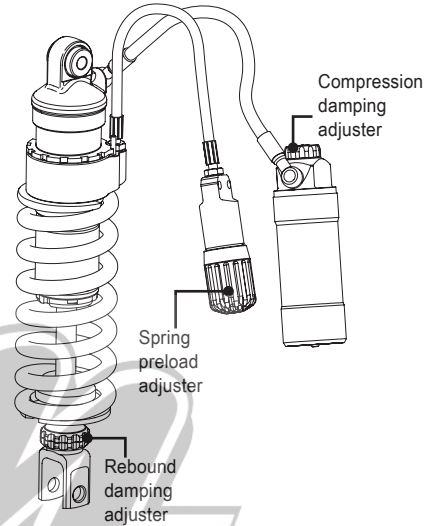
MOUNTING INSTRUCTIONS



ADJUSTMENTS

⚠ Warning!

Before riding, always make sure that the basic settings made by Öhlins are according to recommended Set-up Data. Read about adjustments and setting up in the Öhlins Owner's Manual before you make any adjustments. Contact an Öhlins dealer if you have any questions about setting up.



SETUP DATA

Length	360,5	mm	Spring		
Stroke	83	mm	Part no.	01099-31	
			Free spring length	220	mm
Rebound	18	clicks			
Compression	16	clicks			
Spring preload	16	mm			

Öhlins products are subject to continuous improvement and development, therefore, although these instructions include the most up-to-date information available at the time of printing, minor updates may occur.

To find the latest information contact an Öhlins distributor. Please contact Öhlins if you have any questions regarding the contents in this document.

Part no. MI_TR120_1
Issued 2013-09-03



© Öhlins Racing AB. All rights reserved. Any reprinting or unauthorized use without the written permission of Öhlins Racing AB is prohibited.

Öhlins Racing AB
Box 722
S-194 27 Upplands Väsby, Sweden
Phone +46 8 590 025 00
fax +46 8 590 025 80



www.ohlins.com