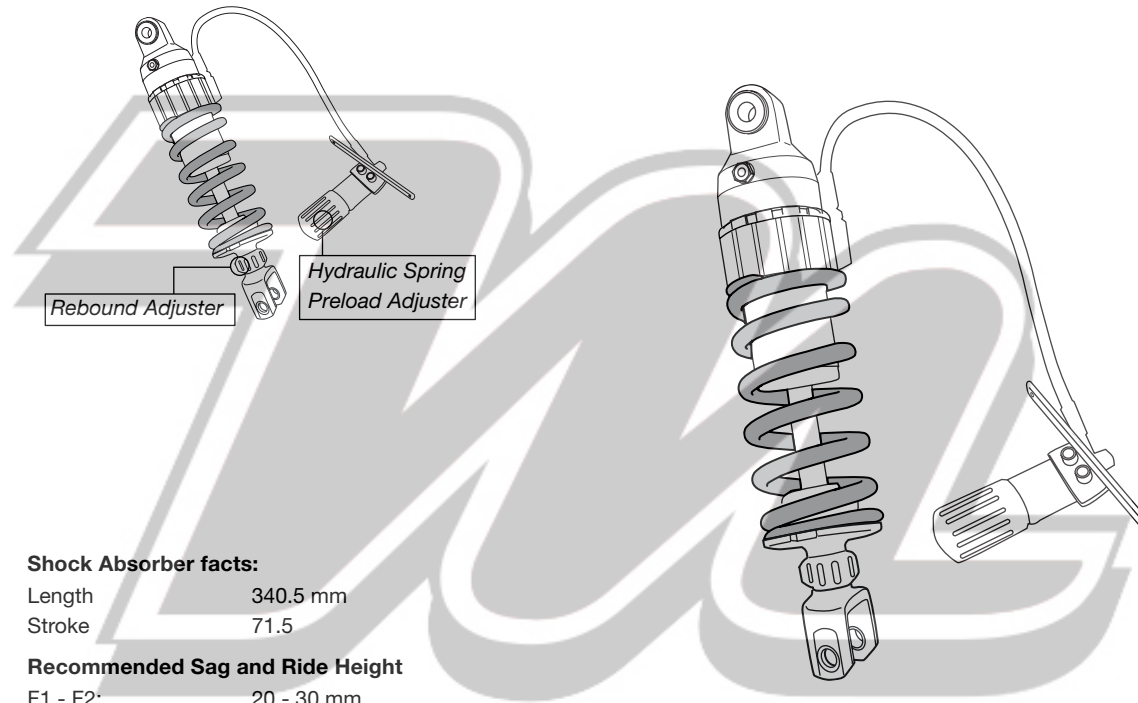


Adjustments

⚠ Warning!

Before riding, always make sure that the basic settings made by Öhlins are according to recommended Set-up Data. Read about adjustments and setting up in the Öhlins Owner's Manual before you make any adjustments. Contact an Öhlins dealer if you have any questions about setting up the shock absorber.

Öhlins Shock Absorber S46DR1S SU 823



Before installing this product, check the contents of the kit. If anything is missing, please contact your nearest Öhlins dealer.

Kit Contents

	Part No.	Pcs.
Shock abs S46DR1S	SU 823	1
Bracket	01165-04	1
Screw K6S M6x20	05404-03	2
Öhlins Sticker	00192-01	2
Memo Notes Sticker	01180-01	1
Owner's Manual	07241-02	1

Please note that during storage and transportation, especially at high ambient temperature, some of the oil and grease used for assembling may leak and stain the packaging. This is in no way detrimental to the product, wipe off the excessive oil/grease with a cloth.

⚠ Warning!

Before installing this product, read the Öhlins Owner's Manual. The shock absorber is an important part of your vehicle and may affect the stability of your vehicle.

Set-up Data

Recommended setting

Rebound	14 clicks
Spring Preload	15 mm

Spring

Part No.	Rate
01096-31	95 N/mm
Free spring length	190 mm

Shock Absorber facts:

Length	340,5 mm
Stroke	71.5

Recommended Sag and Ride Height

F1 - F2:	20 - 30 mm
F1 - F3:	30 - 40 mm
R1 - R2:	5 - 15 mm
R1 - R3:	40 - 50 mm

👁 Read more about sag and ride height in the Öhlins Owner's Manual.

👁 Öhlins products are subject to continuous improvement and development, therefore, although these instructions include the most up-to-date information available at the time of printing, minor updates may occur.

To find the latest information contact your Öhlins distributor. Please consult your Öhlins dealer if you have any questions regarding the contents in this document.

Part no. SU 823_1
Issued 2009-05-27



© Öhlins Racing AB. All rights reserved. Any reprinting or unauthorized use without the written permission of Öhlins Racing AB is prohibited.

Öhlins Racing AB
Box 722
S-194 27 Upplands Väsby, Sweden
Phone +46 8 590 025 00
fax +46 8 590 025 80



www.ohlins.com

Shock Absorber for Suzuki DL650 V-Str ABS SU 823

Mounting Instructions



⚠ Warning!

It is advisable to have an Öhlins dealer install the shock absorber.

When installing, consult your Vehicle Service Manual.

1
Put the motorcycle on a workstand so that the rear wheel barely touches the ground.

⚠ Warning!

Make sure the vehicle is securely supported so that it will not tip.

2
Remove the seat, luggage rack and side panels on both sides.

3
Remove the bolt for the pull rods to the triangle link in the suspension linkage.

4
Remove the lower attachment of the original shock absorber.

5
Loosen the brake fluid reservoir mounting screw.

6
Loosen the ABS unit bracket mounting screws.

7
Remove the two silencer mounting screws to the rear sub frame.

8
Loosen the upper and remove the lower mounting bolts for the rear sub frame.

9
Lift the rear sub frame carefully to be able to remove the standard pre-load adjuster.

⚠ Caution!

Be careful so that you do not bend the brake lines.

10
Remove the upper shock mounting bolt and remove the original shock absorber downwards.

👁 Note!

Before installing the Öhlins shock absorber clean the vehicle thoroughly.

11
Install the Öhlins shock in the same way as the original unit. The preload adjuster is installed according to the sketch. Do not tighten the screws yet.

👁 Note!

Lower the motorcycle so that the shock absorber is slightly compressed, before tightening the screws.

12
Tighten all screws to the torque specified by Suzuki.

13
Use the original hose bracket for the pre-load adjuster hose.

14
Make sure that all removed parts are reinstalled in the same way as they were before the installation.

⚠ Caution!

Make sure that all screws are tightened to the correct torque and that nothing fouls or restricts movement of the shock absorber when the suspension is fully compressed or extended.

