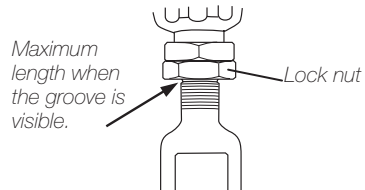


## Adjustments

- 1 **Compression damping adjuster**  
Adjust at the top of the shock absorber.  
Low speed: Slotted center screw.  
High speed: Hexagon screw.
- 2 **Spring preload adjuster**  
Adjust by turning the knob on the hydraulic adjuster. Turn clockwise to increase spring preload, turn counter clockwise to release. (2 turns = 1 mm)
- 3 **Rebound damping adjuster**  
Adjust by turning the adjuster wheel at the bottom of the piston rod. Turn clockwise to increase damping, turn counter clockwise to decrease it.
- 4 **Length adjuster**  
Adjust by turning the end bracket. Tighten the lock nut to lock the position.

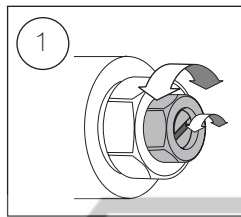


### ⚠ WARNING!

The adjustable end eye/bracket must not be threaded out more than the groove is fully visible beneath the lock nut. After adjusting, make sure that the lock nut is tightened.

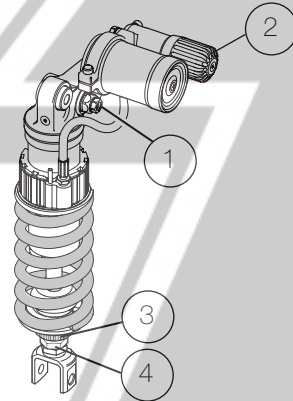
### Set-up data

Shock absorber length	338 $^{+5.5}_{-0.5}$ mm
Shock absorber stroke	67 mm
Spring preload	10 mm
Compression damping	
Low speed	14 clicks
High speed	30 clicks
Rebound damping	16 clicks



High speed  
compression damping

Low speed  
compression damping



### NOTE!

When delivered the Öhlins shock absorber is dialed to recommended settings for the specific brand and make of the motorcycle. If you have changed the setting, reset according to the following:

The adjuster has a normal right hand thread. Turn the damping adjuster clockwise to fully closed (pos. zero [0]). Turn counter clockwise to open and count the clicks until you reach the recommended number. **See Set-up data.**

### CAUTION!

Do not use force, delicate sealing surfaces can be damaged.

# Mounting Instructions

Öhlins shock absorber kit KA 540  
for Kawasaki ZX 10R

### Kit Contents

Before installing the shock absorber, please check the contents of the kit. If anything is missing, please contact your Öhlins dealer.

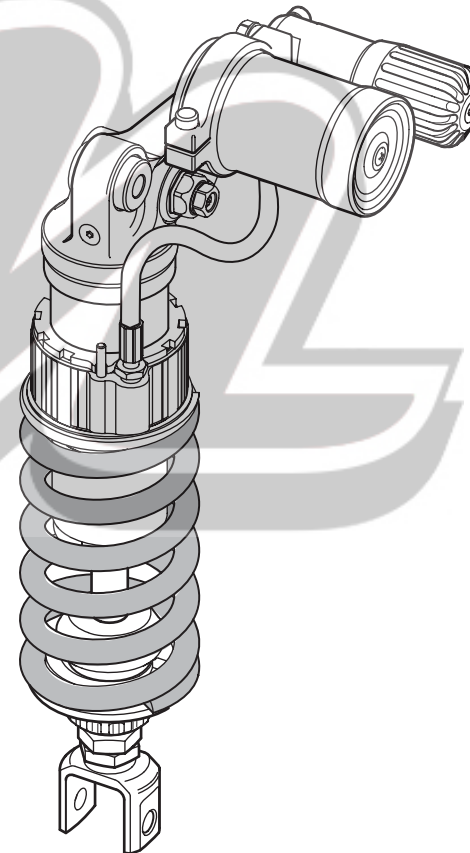
Description	Article no.
Shock absorber 46PRXLS	KA540 (1)
Öhlins Sticker	00192-01 (2)
Memo Notes Sticker	01180-01 (1)
Öhlins Owners Manual	(1)

### Before Installing

Öhlins Racing AB cannot be held responsible for any damage to shock absorber or vehicle, or injury to persons, if the instructions for fitting and maintenance are not followed exactly.

Similarly, the warranty will become null and void if the instructions are not adhered to.

Öhlins products are subject to continuous improvement and development. Consequently, although these instructions include the most up-to-date information available at the time of printing, there may be minor differences between your shock absorber and this manual. Please consult your Öhlins dealer if you have any questions regarding the contents of this manual.



KA540, issued 2006 04 05



Öhlins Racing AB, Box 722, S-194 27 Upplands Väsby, Sweden.  
Phone +46 8 590 025 00. Fax +46 8 590 025 80.

[www.ohlins.com](http://www.ohlins.com)

© Öhlins Racing AB. All rights reserved. Any reprinting or unauthorized use without the written permission of Öhlins Racing AB is prohibited. Printed in Sweden.



## Safety Signals

Important information concerning safety is distinguished in this manual by the following notations:



The Safety alert symbol means:  
Attention! Your safety is involved.

### WARNING!

Failure to follow these warning instructions could result in **severe or fatal injury** to anyone working with, inspecting or using the shock absorber, or to bystanders.

### CAUTION!

Caution indicates that special precautions must be taken to avoid damage to the shock absorber.

### NOTE!

Indicates information that is of importance regarding mounting procedures.

### WARNING!

1. Installing a shock absorber, that is not approved by the vehicle manufacturer, may affect the stability of your vehicle. Öhlins Racing AB cannot be held responsible for any personal injury or damage that may occur after fitting the shock absorber.

2. Please study and make certain that you fully understand all the mounting instructions and the owner's manual before handling this shock absorber kit. If you have any questions regarding proper installation procedures, contact an Öhlins dealer.

3. The vehicle service manual must be referred to when installing the Öhlins shock absorber

### NOTE!

During storage and transportation, especially at high ambient temperature, the oil and grease used for assembling may run out inside the packing and damage the expanded polystyrene packing material. This is not unusual and is in no way detrimental to the shock absorber.

### 5

Install the Öhlins shock absorber. First, fasten the upper bolt, then the lower. Use the original bolts.

### 6

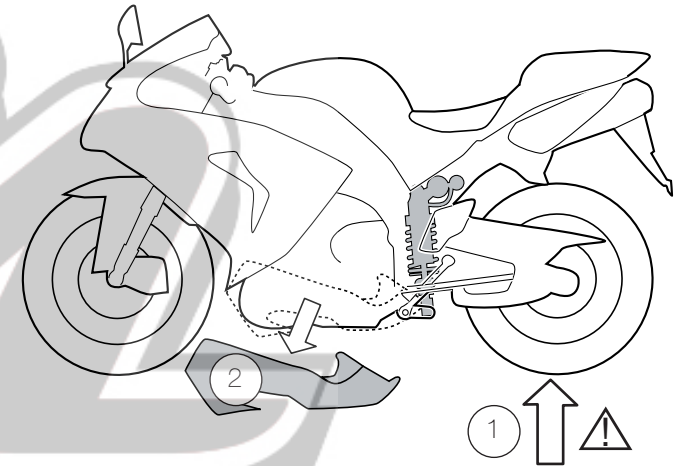
Reinstall the lower covers.

### NOTE!

Make sure that all bolts are tightened to the correct torque and that nothing fouls or restricts movement of the shock absorber when the suspension is being fully compressed or extended.

### 7

Read more about the shock absorber and its settings in your Öhlins Owners Manual.



## Mounting Instructions

### WARNING!

1. It is advisable to have an Öhlins dealer install the shock absorber.
2. Follow the instructions in the vehicle service manual when changing the shock absorber.
3. When working on a raised vehicle, make sure that it is securely supported to prevent it from tipping over.

### 1

Put the motorcycle on a workstand so that the rear wheel is off the ground.

### 2

Remove the lower covers.

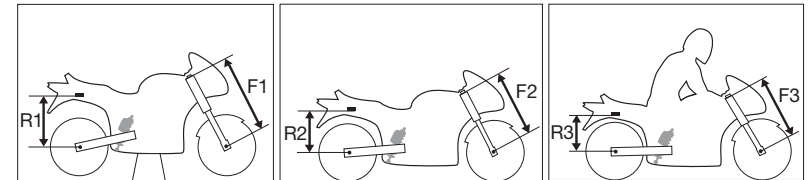
### 3

Remove the lower and the upper bolts of the original shock absorber.

### 4

Remove the original shock absorber from the left side of the vehicle.

## Check sag and ride height



Bike on a stand

Bike on the ground

Bike with rider on

### Front suspension

F1. Bike on a stand with the suspension fully extended = .....

F2. Bike on the ground without rider = .....

F3. Bike on the ground with rider = .....

Free sag F1 - F2 = .....

Ride height F1 - F3 = .....

Recommended ride height: 32 ± 5 mm

### Rear suspension

R1. Bike on a stand with the suspension fully extended = .....

R2. Bike on the ground without rider = .....

R3. Bike on the ground with rider = .....

Free sag R1 - R2 = .....

Ride height R1 - R3 = .....

Recommended ride height: 25 ± 5 mm