

Before installing this product, check the contents of the kit. If anything is missing, please contact an Öhlins dealer.

Kit Contents

	Part No.	Pcs.
Shock absorber	KA 434	1
Tie wrap	00231-01	2
Öhlins Sticker	00192-01	2
Washer	03118-08	1
Memo Notes Sticker	01180-01	1
Owner's Manual	07241-02	1

Please note that during storage and transportation, especially at high ambient temperature, some of the oil and grease used for assembling may leak and stain the packaging. This is in no way detrimental to the product, wipe off the excessive oil/grease with a cloth.

⚠ Warning!

Before installing this product, read the Öhlins Owner's Manual. The shock absorber is an important part of your vehicle and will affect the stability.

Shock Absorber for Kawasaki Z 1000

KA 434

Mounting Instructions

How to install

⚠ Warning!

It is advisable to have an Öhlins dealer install the shock absorber.

When installing, consult your Vehicle Service Manual.

1

Put the motorcycle on a workstand so that the rear wheel barely touches the ground.

⚠ Warning!

Make sure the vehicle is securely supported so that it will not tip.

2

Remove hugger/mudguard.

3

Loosen upper and lower attachment of the original shock absorber and remove it.

👁 Note!

Before installing the Öhlins shock absorber clean the vehicle thoroughly.

4

Install the Öhlins shock absorber from the right side.

👁 Note!

Lower the motorcycle so that the shock absorber is slightly compressed, before tightening the screws.

5

Loosen the bolts on the right side passenger foot peg.

6

Use these bolts and mount the bracket together with spring preload adjuster. Use the washer (03118-08) on the inside of the passenger foot peg.

7

Use the tie wrap to position the hose.

👁 Caution!

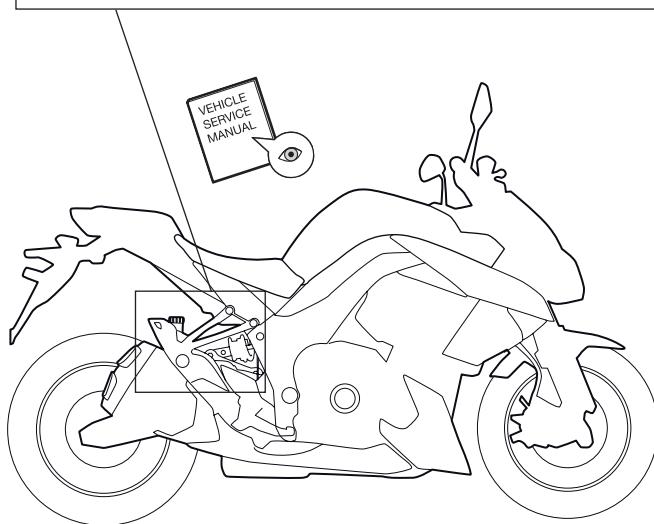
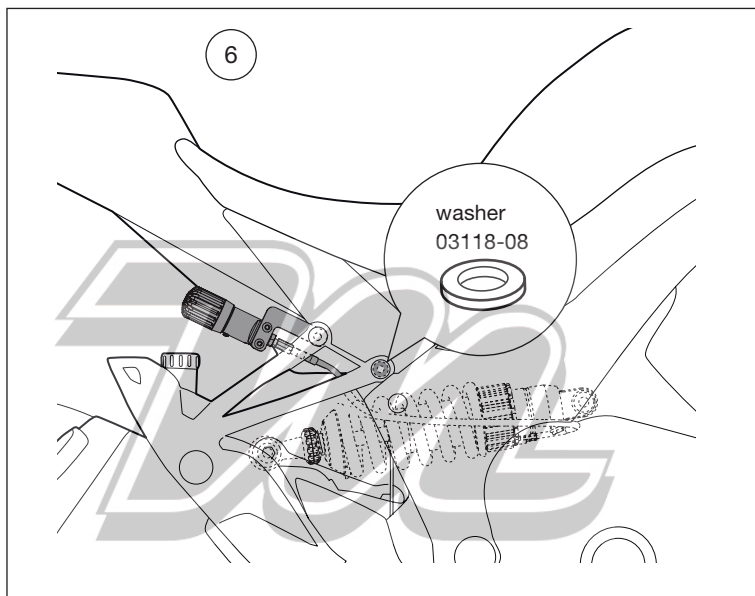
Ensure that the hydraulic preload adjuster hose runs in soft bends. Also check that it does not come in contact with the exhaust pipe or Any sharp edges.

8

Reinstall hugger/mud guard.

👁 Caution!

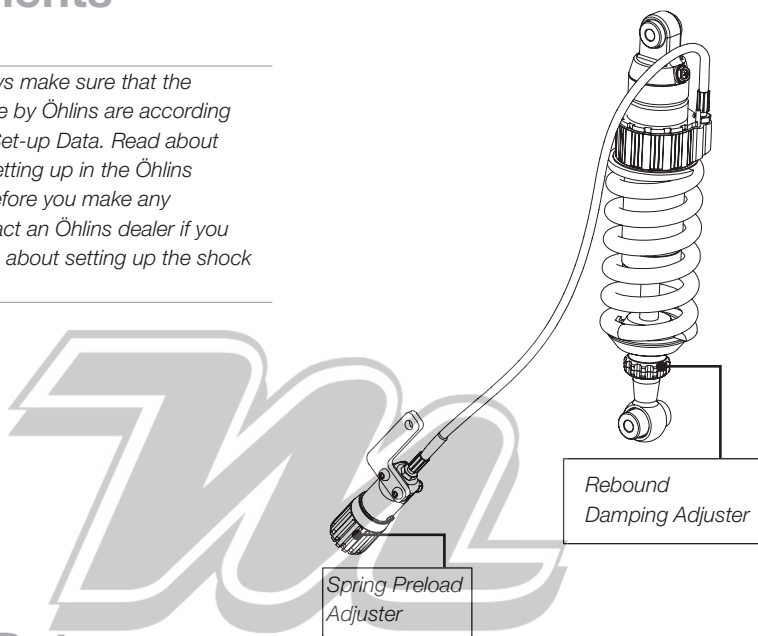
Make sure that all screws are tightened to the correct torque and that nothing fouls or restricts movement of the shock absorber when the suspension is fully compressed or extended.



Adjustments

⚠ Warning!

Before riding, always make sure that the basic settings made by Öhlins are according to recommended Set-up Data. Read about adjustments and setting up in the Öhlins Owner's Manual before you make any adjustments. Contact an Öhlins dealer if you have any questions about setting up the shock absorber.



Set-up Data

Recommended set-up

Rebound	14 clicks
Spring Preload	12 mm

Spring

Part No.	01092-26
Rate	85 N/mm
Free length	170 mm

Shock absorber data

Length	351 mm
Stroke	61,5 mm

Free Sag and Ride Height

R1 - R2 =	12 mm
R1 - R3 =	38 mm

👁 Öhlins products are subject to continuous improvement and development, therefore, although these instructions include the most up-to-date information available at the time of printing, minor updates may occur.

To find the latest information contact your Öhlins distributor. Please consult your Öhlins dealer if you have any questions regarding the contents in this document.

Part no. KA434_0
Issued 2014-08-20



© Öhlins Racing AB. All rights reserved. Any reprinting or unauthorized use without the written permission of Öhlins Racing AB is prohibited.

Öhlins Racing AB
Box 722
S-194 27 Upplands Väsby, Sweden
Phone +46 8 590 025 00
fax +46 8 590 025 80



www.ohlins.com