

Before installing this product, check the contents of the kit. If anything is missing, please contact your nearest Öhlins dealer.

Kit Contents

	Part No.	Pcs.
Shock Absorber	HO947	2
Washer	03118-11	2
Washer	03118-21	2
Sticker	00192-01	2
Tool	03199-03	1
Owner's Manual	07241-02	1

Please note that during storage and transportation, especially at high ambient temperature, some of the oil and grease used for assembling may leak and stain the packaging. This is in no way detrimental to the product, wipe off the excessive oil/grease with a cloth.

⚠ Warning!

Before installing this product, read the Öhlins Owner's Manual. The shock absorber is an important part of your vehicle and may affect the stability of your vehicle.

Shock Absorber for Honda PS 150 i

HO 947

Mounting Instructions



How to install

⚠ Warning!

It is advisable to have an Öhlins dealer install the shock absorbers.

When installing, consult your Vehicle Service Manual.

👁 Note!

Before installing the Öhlins shock absorbers clean the vehicle thoroughly.

1

Put the motorcycle on a workstand so that the rear wheel barely touches the ground.

⚠ Warning!

Make sure the vehicle is securely supported so that it will not tip.

2

Remove the screw indicated in the figure. Slightly lift up the cover to reach the lower shock absorber attachment.

3

Install the Öhlins shock absorbers, the reservoir down and pointing towards the rear. Install the attachments according to the figure, use the spacers provided in this kit.

👁 Note!

Please note that the reservoirs shall be pointing towards the rear on both sides.

👁 Note!

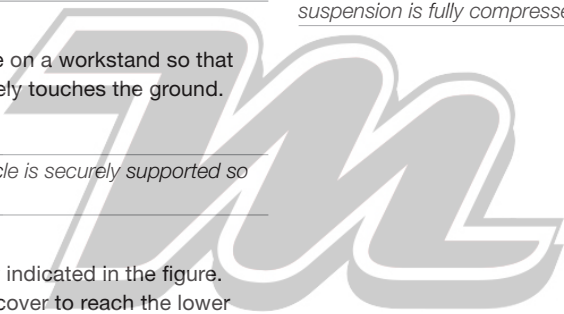
Lower the motorcycle so that the shock absorber is slightly compressed, before tightening the screws.

4

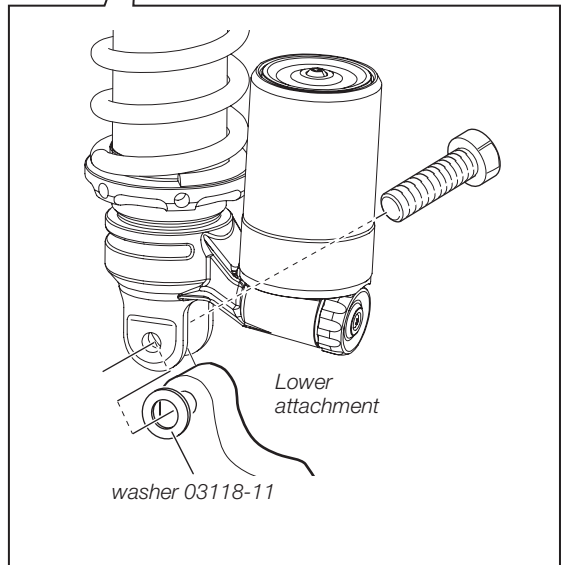
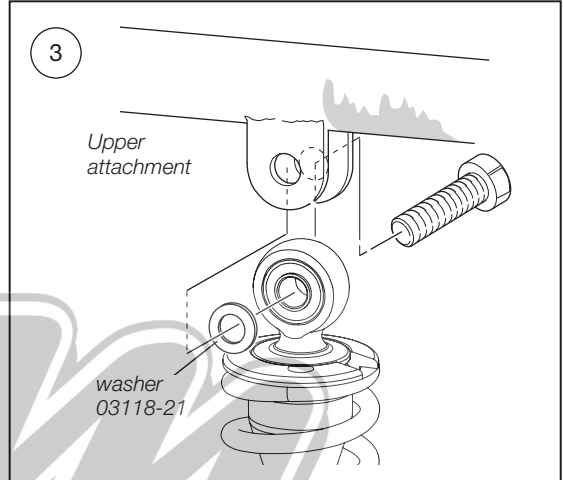
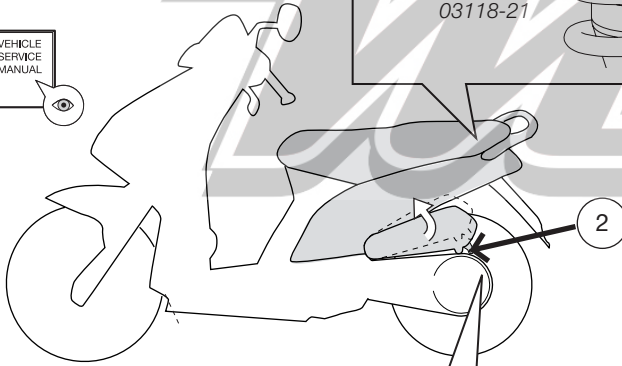
Make sure that all removed parts are reinstalled in the same way as they were before the installation of the Öhlins shock absorbers.

👁 Caution!

Make sure that all screws are tightened to the correct torque and that nothing fouls or restricts movement of the shock absorber when the suspension is fully compressed or extended.



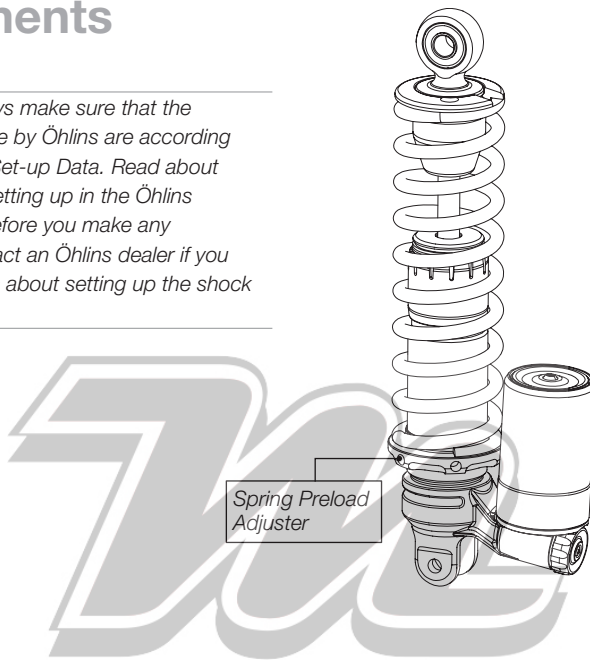
VEHICLE
SERVICE
MANUAL



Adjustments

⚠ Warning!

Before riding, always make sure that the basic settings made by Öhlins are according to recommended Set-up Data. Read about adjustments and setting up in the Öhlins Owner's Manual before you make any adjustments. Contact an Öhlins dealer if you have any questions about setting up the shock absorber.



Set-up Data

Recommended set-up

Spring Preload 10 mm

Shock Absorber Data

Length 293 mm

Stroke 88 mm

👁 Öhlins products are subject to continuous improvement and development, therefore, although these instructions include the most up-to-date information available at the time of printing, minor updates may occur.

To find the latest information contact your Öhlins distributor. Please consult your Öhlins dealer if you have any questions regarding the contents in this document.

Part no. HO947_1
Issued 2014-03-10

© Öhlins Racing AB. All rights reserved. Any reprinting or unauthorized use without the written permission of Öhlins Racing AB is prohibited.

Öhlins Racing AB
Box 722
S-194 27 Upplands Väsby, Sweden
Phone +46 8 590 025 00
fax +46 8 590 025 80



www.ohlins.com