

Note!

Before installing this product, check the contents of the kit. If anything is missing, please contact an Öhlins dealer.

Kit Contents

Description	Part No	Pcs
Shock absorber	DU432	1
Bracket reservoir	03102-13	1
Screw K6S M6x25	05404-06	2
Screw MF6S 6x14	00382-16	1
Washer	00153-04	3
Sticker Öhlins	00192-01	2
C-spanner	60710-02	1
Owner's manual	07241-02	1

Note!

Please note that this image is a general representation of the product and may differ slightly from your product.

Note!

Please note that during storage and transportation, especially at high ambient temperature, some of the oil and grease used for assembling may leak and stain the packaging. This is in no way detrimental to the product, wipe off the excessive oil/grease with a cloth.

Warning!

Before installing this product, read the Öhlins Owner's Manual. The shock absorber is an important part of your vehicle and will affect the stability.

Shock Absorber for Ducati Monster 795/796

DU 432

Mounting Instructions

MOUNTING INSTRUCTIONS

Warning!

It is advisable to have an Öhlins dealer install the shock absorber.

Warning!

If working on a raised vehicle, ensure it is securely supported so that it will not tip over.

Note!

Before mounting this product clean the vehicle thoroughly.

Note!

When working on this product, always see the Vehicle Service Manual for vehicle specific procedures and important data.

1

Put the motorcycle on a work stand so that the rear wheel barely touches the ground. Make sure the motorcycle is in a stable position.

2

Remove the seat by unlocking it with the ignition key.

3

Remove the rear hanger by loosening the two screws to access the lower shock absorber bolt.

4

Remove the standard shock by loosening the upper bracket nut (1) and the lower shock absorber bolt (2).

5

Loosen the two screws (3)(4) under the subframe and install the reservoir bracket as per picture 2 using the screws and the washer included in the kit.

6

Remove the upper bracket from the standard shock absorber and install it onto the Öhlins shock absorber.

7

Install the Öhlins shock absorber on the motorcycle.

8

Install the reservoir into the bracket and reverse all procedures.

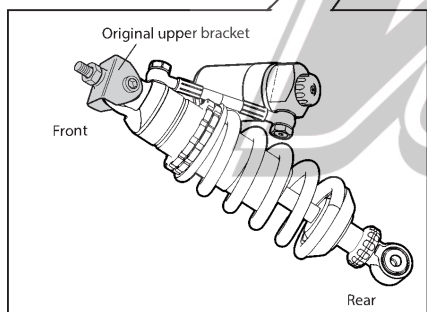
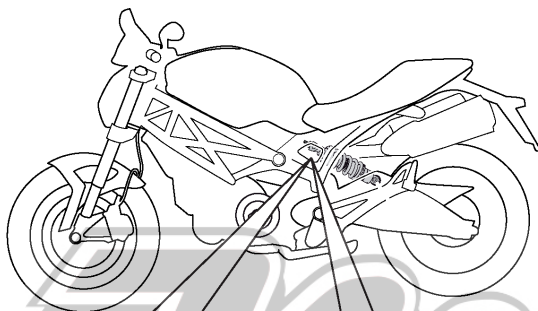
Note!

Lower the vehicle so that the suspension is slightly compressed before tightening the screws.

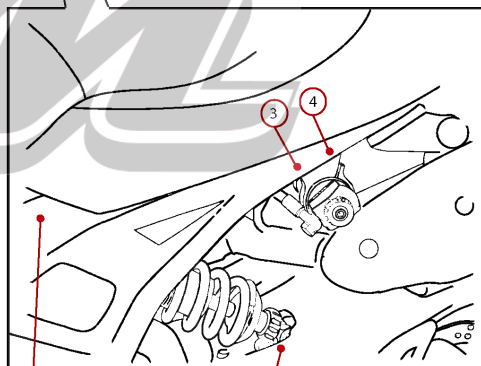
Caution!

Ensure that all screws are tightened to the correct torque and that nothing fouls or restricts movement

MOUNTING INSTRUCTIONS



Picture 1



Picture 2

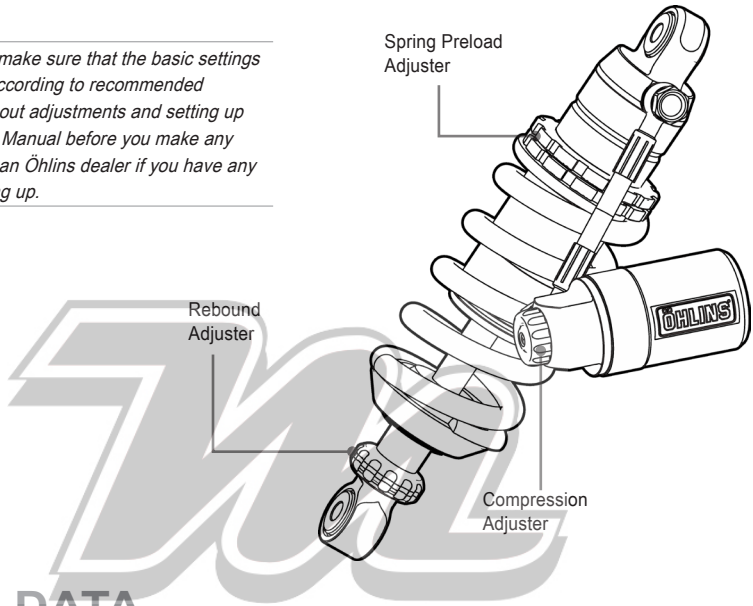
1

2

ADJUSTMENTS

⚠ Warning!

Before riding, always make sure that the basic settings made by Öhlins are according to recommended Set-up Data. Read about adjustments and setting up in the Öhlins Owner's Manual before you make any adjustments. Contact an Öhlins dealer if you have any questions about setting up.



SET-UP DATA

Recommended set-up

Spring Preload	12.5 mm
Rebound Adjuster	16 Clicks
Compression Adjuster.....	14 Clicks

Shock absorber data

Length	295 mm
Stroke	58 mm

Spring

Part No	60017-41
Free spring length	150 mm

👁 Öhlins products are subject to continuous improvement and development, therefore, although these instructions include the most up-to-date information available at the time of printing, minor updates may occur.

To find the latest information contact an Öhlins distributor. Please contact Öhlins if you have any questions regarding the contents in this document.

Part no. MI_DU432_EN_1
Issued 2016-04-25

© Öhlins Asia Co. Ltd. All rights reserved. Any reprinting or unauthorized use without the written permission of Öhlins Racing AB is prohibited.

Öhlins Asia Co. Ltd
700/937 Moo5, Tambol Nongkhaga,
Amphur Phantong, Chonburi Province
20160 Thailand



www.ohlins.com