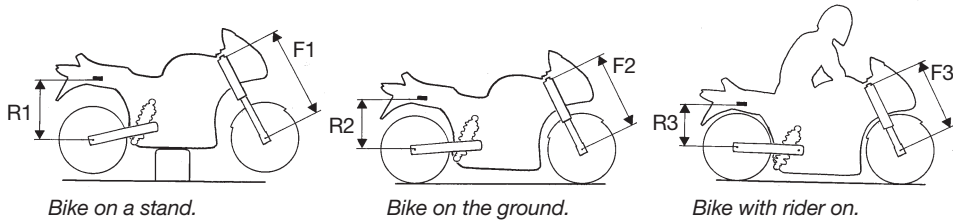


Owners Manual

Mounting instructions Öhlins shock absorber kit SU 143 for Suzuki



Setup data

Shock absorber length	331 mm
Shock absorber stroke	83 mm
Spring preload	20 mm

Checking sag and ride height

Front suspension

F1. Bike on a stand with the suspension fully extended =

F2. Bike on the ground without rider =

F3. Bike on the ground with rider =

Free sag F1 - F2 =

Ride height F1 - F3 =

Rear suspension

R1. Bike on a stand with the suspension fully extended =

R2. Bike on the ground without rider =

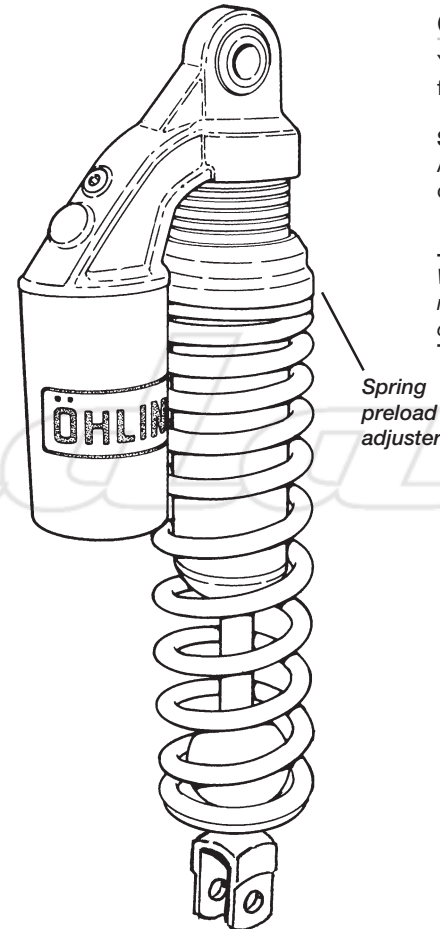
R3. Bike on the ground with rider =

Free sag R1 - R2 =

Ride height R1 - R3 =

NOTE!

*If ride height is higher than recommended, softer spring/springs must be used.
If ride height is lower than recommended, harder spring/springs must be used.
Contact your Öhlins dealer for advice.*



Öhlins shock absorber 36 P

Your Öhlins shock absorber type 36 P features the following adjuster:

Spring preload adjuster

Adjustments can be made by changing the position of the upper spring seat.

NOTE!

When delivered the Öhlins shock absorber is dialed to recommended settings for the specific brand and make of the motorcycle.



Öhlins Racing AB, Box 722, S-194 27 Upplands Väsby, Sweden.
Phone +46 8 590 025 00. Fax +46 8 590 025 80.
www.ohlins.com

Part No. SU 143. Issued 01 12 18

© Öhlins Racing AB. All rights reserved. Any reprinting or unauthorized use without the written permission of Öhlins Racing AB is prohibited. Printed in Sweden.



Safety signals

Important information concerning safety is distinguished in this manual by the following notations:



*The Safety alert symbol means:
Caution! Your safety is involved.*

WARNING!

*Failure to follow warning instructions could result in **severe or fatal injury** to anyone working with, inspecting or using the suspension, or to bystanders.*

CAUTION!

Caution indicates that special precautions must be taken to avoid damage to the suspension.

NOTE!

This indicates information that is of importance with regard to procedures.

Before installation

Öhlins Racing AB can not be held responsible for any damage whatsoever to shock absorber or vehicle, or injury to persons, if the instructions for fitting and maintenance are not followed exactly.

Similarly, the warranty will become null and void if the instructions are not adhered to.

WARNING!

1. Installing a shock absorber, that is not approved by the vehicle manufacturer, may affect the stability of your vehicle. Öhlins Racing AB cannot be held responsible for any personal injury or damage whatsoever that may occur after fitting the shock absorber. Contact an Öhlins dealer or other qualified person for advice.

2. Please study and make certain that you fully understand all the mounting instructions and the owners manuals before handling this shock absorber kit. If you have any questions regarding proper installation procedures, contact an Öhlins dealer or other qualified person.

3. The vehicle service manual must be referred to when installing the Öhlins shock absorber

Öhlins products are subject to continual improvement and development. Consequently, although these instructions include the most up-to-date information available at the time of printing, there may be minor differences between your suspension and this manual. Please consult your Öhlins dealer if you have any questions with regard to the contents of the manual.

NOTE!

During storage and transportation, especially at high ambient temperature, the oil and grease used for assembling may run out inside the packing and damage the expanded polystyrene packing material. This is not unusual and is in no way detrimental to the shock absorber.

Kit contents

Before installing the shock absorber, please check the contents of the kit, listed on the front page of this instruction. If anything is missing, contact your Öhlins dealer.

Description	Pcs.	Part No.
Shock absorber 36P	2	SU 143
C-spanner	2	00710-01
Washer	2	00422-01
Washer	2	3118-15
Bolt 10x40	2	00429-01
Nut M10	2	00430-01
Sticker Öhlins	2	00192-01
Owners manual	1	

Mounting instructions

1

Put the motorcycle on a stand so the rear wheel is clear of ground. Make sure it's steadily fixed so it will not fall over.

WARNING!

1. It's advisable to have an Öhlins dealer or other qualified person to fit your shock absorber.
2. Instructions in the vehicle service manual are to be followed when changing the shock absorber.
3. When working on a lifted vehicle it must be securely supported to prevent it from falling.

2

Loosen and remove the standard shock absorbers. See the motorcycle's Workshop manual.

3

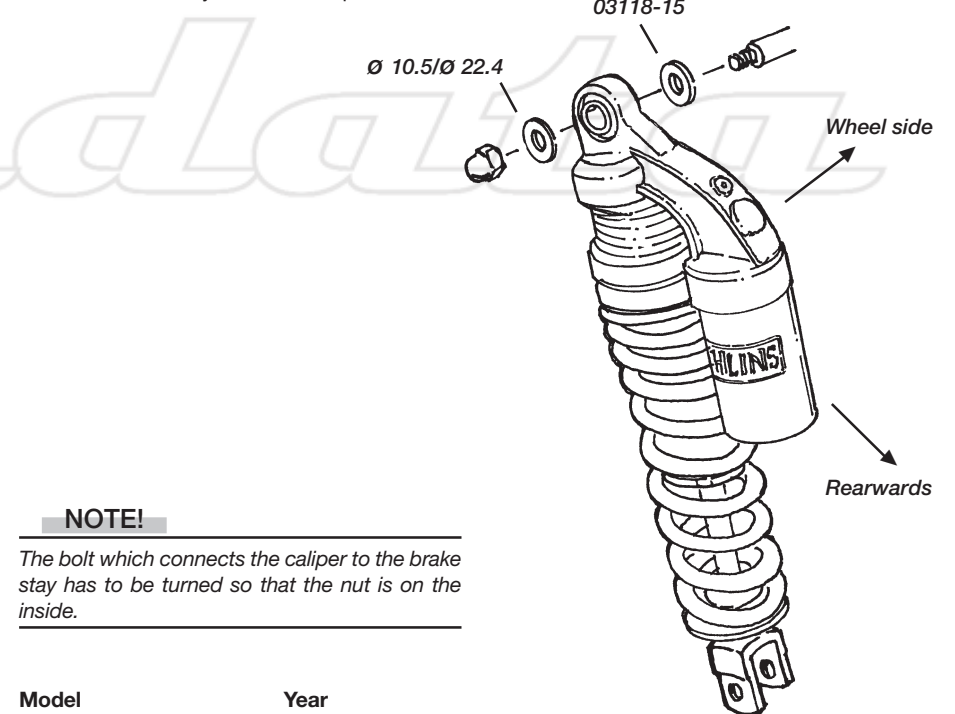
Fit the Öhlins shock absorbers in the same position as the standard shock absorbers.

NOTE!

Make sure that all bolts are tightened to the correct torque and that nothing fouls or restricts movement of the shock absorber when the suspension is being fully compressed or extended.

4

Continue your work according to Owners manual, section Adjustments.



NOTE!

The bolt which connects the caliper to the brake stay has to be turned so that the nut is on the inside.

Model	Year
GS 750 E/L	77-81
GS 750 E/S	79-84
GS 750	79-82
GS 1000 E/S/H/L	79-82
GSX 1100	79-83
KATANA	81-83
RE 5	75-77

NOTE!

The shock absorber shall be mounted with the cylinder head upwards and the reservoir backwards. Use the supplied washers and sleeves to fit the shock absorber on your bike.