



Yamaha YZ 450F (2006 - 2007)

Racing & Evolution Exhaust System

Akrapovic Racing & Evolution Exhaust System

for the Yamaha YZ 4540F (2007)

The Akrapovic RACING & EVOLUTION is designed for demanding riders who expect the maximum from their aftermarket components and know how to squeeze the most out of them on the track. In addition to increased performance, the system with the HEXAGONAL muffler also makes an aesthetic contribution to the lines of the Yamaha. The Akrapovic RACING & EVOLUTION is designed for two markets. For the European and other non-US markets it comes with a built-in noise damper, and for the American market it comes with an approved spark arrester.

PERFORMANCE

Measurements of the Akrapovic EVOLUTION system on the YAMAHA YZ 450F (without muffler insert):

Power & Torque: in keeping with its pedigree, the Akrapovic RACING & EVOLUTION delivers the largest increases in power and torque at the low and high ends and in the overrev range. We measured a max. power of 49.4 HP at 8600 rpm. Max. increased power of 2.1 HP was measured at 10500 rpm.

CONFIGURATION

The Akrapovic Racing & Evolution system is composed of a conical header tube and link pipe. Only difference is in material that we use (titanium for Evolution, stainless steel for Racing). The header tube has additional chamber to reduce noise emissions and add power at lower rpm. Link pipe is attached with a sleeve joint secured using a silicon-shielded spring. The link pipe SS / titanium is welded to the muffler. The outlet cap is made of carbon-fiber. The HEXAGONAL muffler has a titanium or carbon-fiber outer sleeve which goes very well with the bike's sleek lines, and is attached to the frame using an Akrapovic offroad carbon-fiber clamp. The system is available with an optional Akrapovic carbon-fiber heat shield. For the European and other non-US markets it comes with a built-in noise damper, and for the American market it comes with an approved spark arrester, which is marked with a laser engraving on the muffler.

	PERFORMANCE		
	stock	AKRAPOVIC	max. increased power
max. rear wheel power HP / rpm (measured on Dynojet ATV)	48.5 / 8700	49.4 / 8600	2.1 / 10500

	CONFIGURATION		
	header tubes	collector	link pipe
material	TITANIUM (Evolution) STAINLESS STEEL (Racing)	-	TITANIUM (Evolution) STAINLESS STEEL (Racing)
tube shape	CONICAL + CHAMBER	-	CONICAL

interference crossover tubes	-	lambda sensor	-	
header tube inner sleeves	S.S. CNC MACHINED	header tube flanges	ALU CNC MACHINED	
header tubes - collector connection	-	collector / header tube - link pipe connection	SLEEVE JOINT + SILICON SHIELDED SPRING	
link pipe - muffler connection	WELDED	muffler inlet cap / outlet cap	TITANIUM (Evolution), STAINLESS STEEL (Racing) / CARBON-FIBER (Evolution & Racing)	
muffler metal interior	TITANIUM (Evolution) STAINLESS STEEL (Racing)	muffler outer sleeve	TITANIUM / CARBON-FIBER	
muffler clamp	CARBON-FIBER	muffler bracket	-	
muffler insert	EU	NOISE DAMPER	heat shield	CARBON FIBER
	US	SPARK ARRESTER	catalytic converter	-

	ADDITIONAL DATA				
	stock	AKRAPOVIC		difference	
		RACING	EVOLUTION	stock - RACING	stock - EVOLUTION
weight comparison (kg)	3.28	3.15	2.50	0.13	0.78
noise measurements (dB / rpm)	stock		AKRAPOVIC		
	96 / 4500		96 / 4500		
possibility of periodic service without removing A.E.S.	oil		oil filter		
	YES		YES		
legal for street use	NO				

Technical specifications of Akrapovic exhaust systems and related products subject to change without notice.

Off-Road Program

Product code: 107098 (S-Y4MR6-QT), 107037 (S-Y4MET6-QT)
107099 (S-Y4MR6-QTA), 107038 (S-Y4MET6-QTA) US market



Akrapovic Exhaust System Technology copyright 2007, all rights reserved

Akrapovic Racing & Evolution Exhaust System

for the Yamaha YZ 4540F (2007)



CARBON-FIBER
MUFFLER CLAMPS



Off-Road
Program

Product code: 107098 (S-Y4MR6-QT), 107037 (S-Y4MET6-QT)
107099 (S-Y4MR6-QTA), 107038 (S-Y4MET6-QTA) US market

Akrapovic Racing & Evolution Exhaust System for the Yamaha YZ 4540F (2007)



Akrapovic Exhaust System Technology copyright 2007, all rights reserved

Off-Road
Program

Product code: 107098 (S-Y4MR6-QT), 107037 (S-Y4MET6-QT)
107099 (S-Y4MR6-QTA), 107038 (S-Y4MET6-QTA) US market

Akrapovic Racing & Evolution Exhaust System for the Yamaha YZ 4540F (2007)



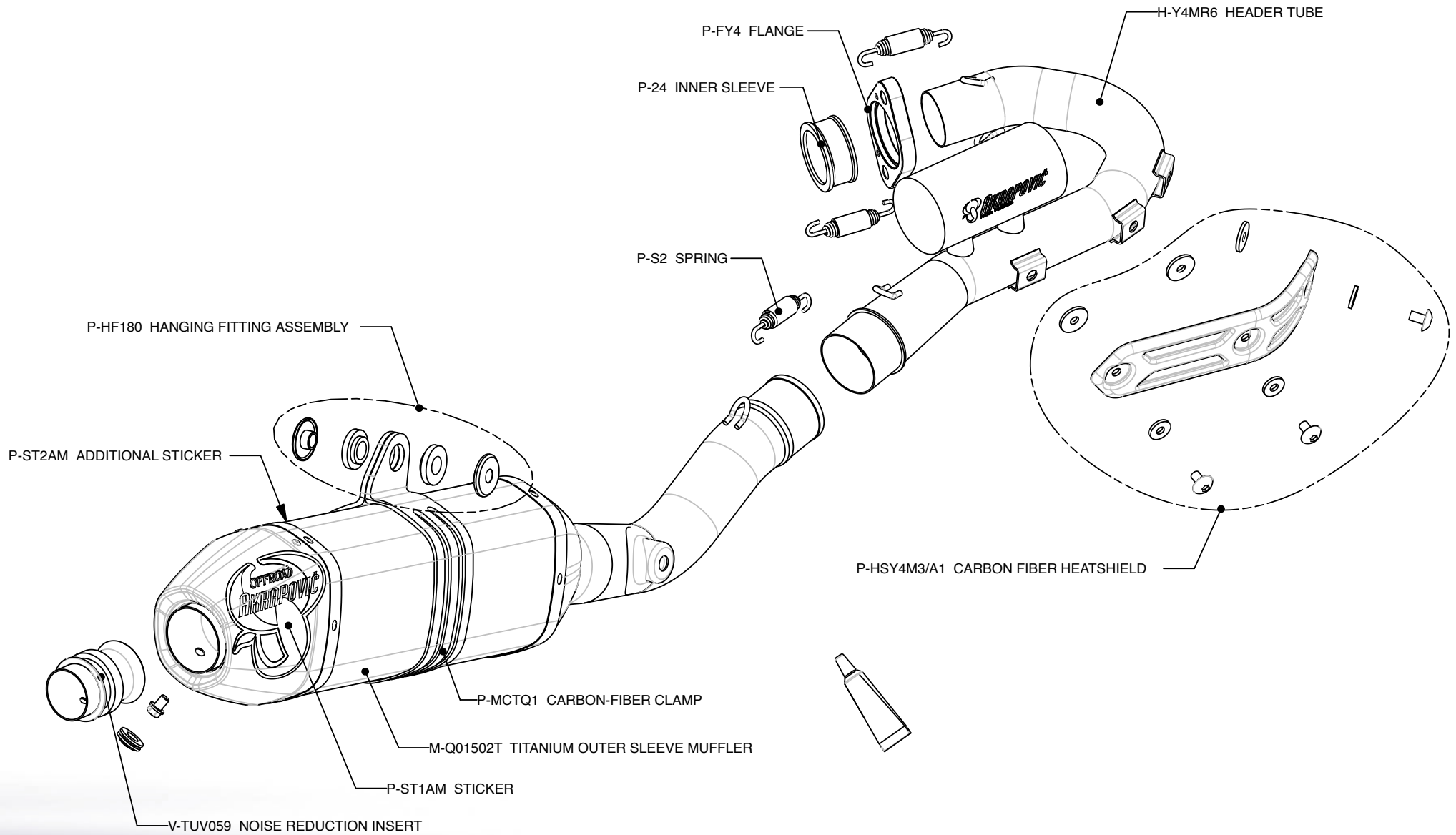
Akrapovic Exhaust System Technology copyright 2007, all rights reserved

Off-Road
Program

Product code: 107098 (S-Y4MR6-QT), 107037 (S-Y4MET6-QT)
107099 (S-Y4MR6-QTA), 107038 (S-Y4MET6-QTA) US market

Akrapovic Racing & Evolution Exhaust System

for the Yamaha YZ 4540F (2007)



Akrapovic Exhaust System Technology copyright 2007, all rights reserved

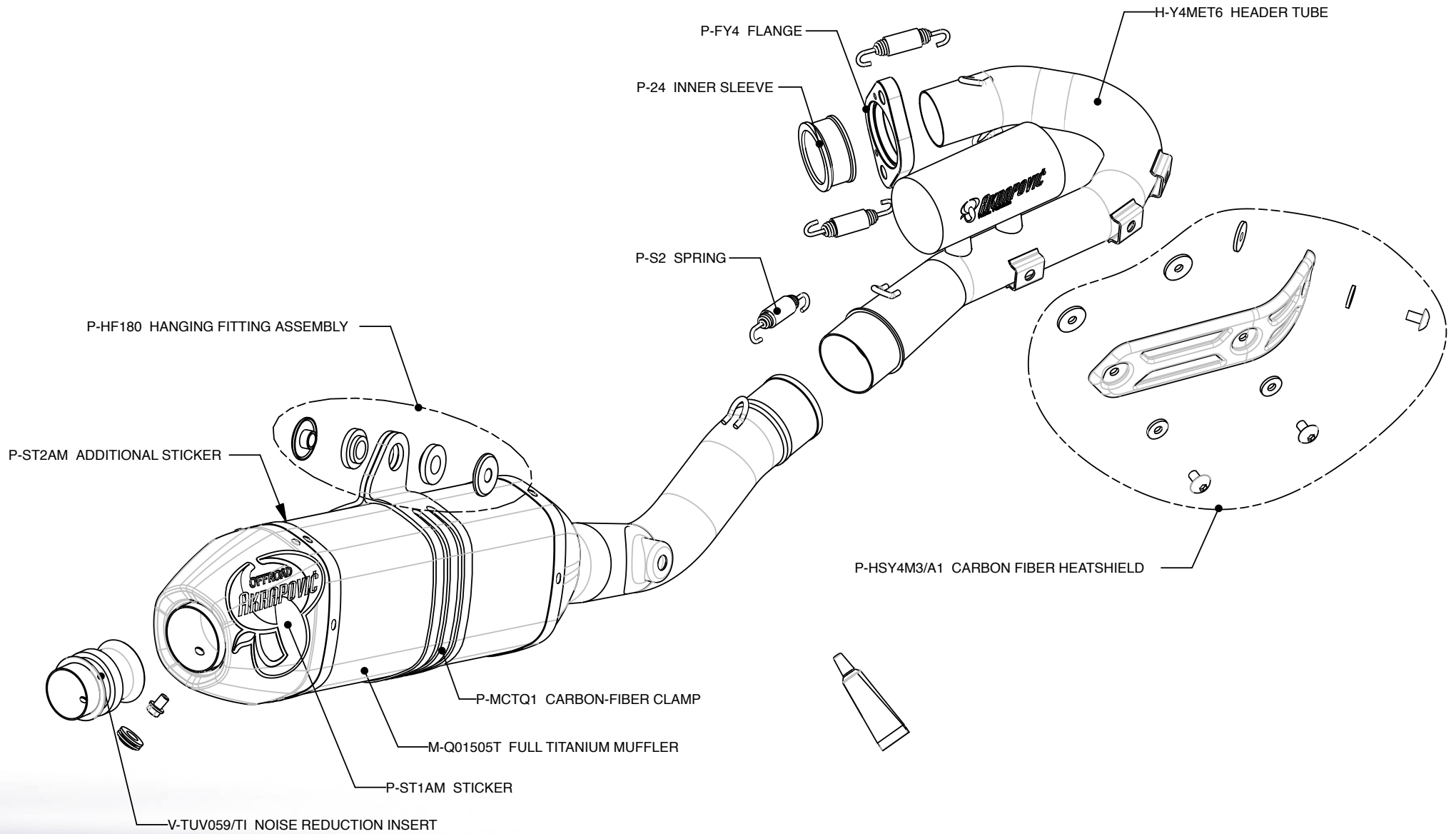
Off-Road Program

Product code: 107098 (S-Y4MR6-QT)



Akrapovic Racing & Evolution Exhaust System

for the Yamaha YZ 4540F (2007)



Akrapovic Exhaust System Technology copyright 2007, all rights reserved

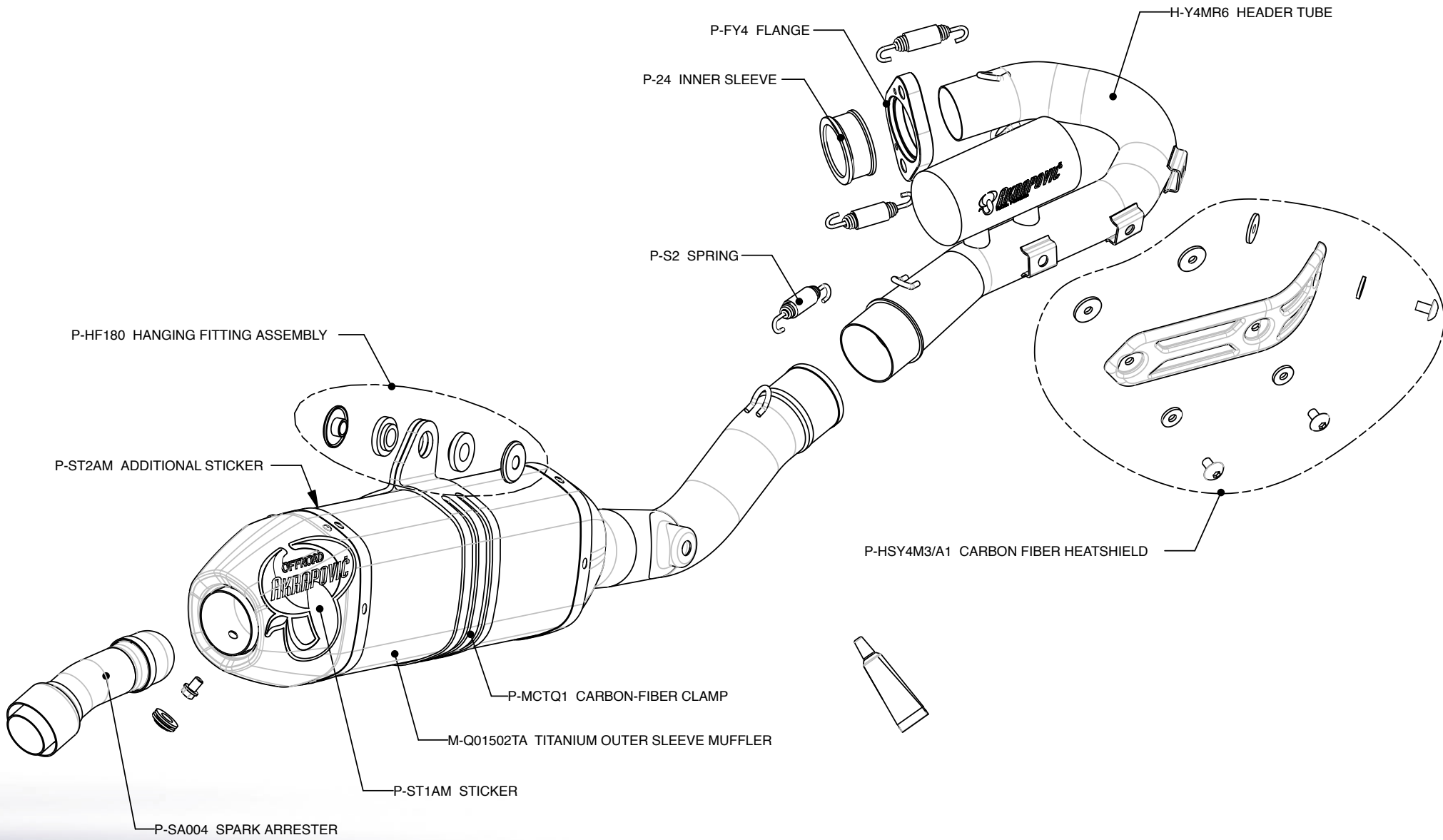
Off-Road Program

Product code: 107037 (S-Y4MET6-QT)



Akrapovic Racing & Evolution Exhaust System

for the Yamaha YZ 4540F (2007)



Off-Road Program

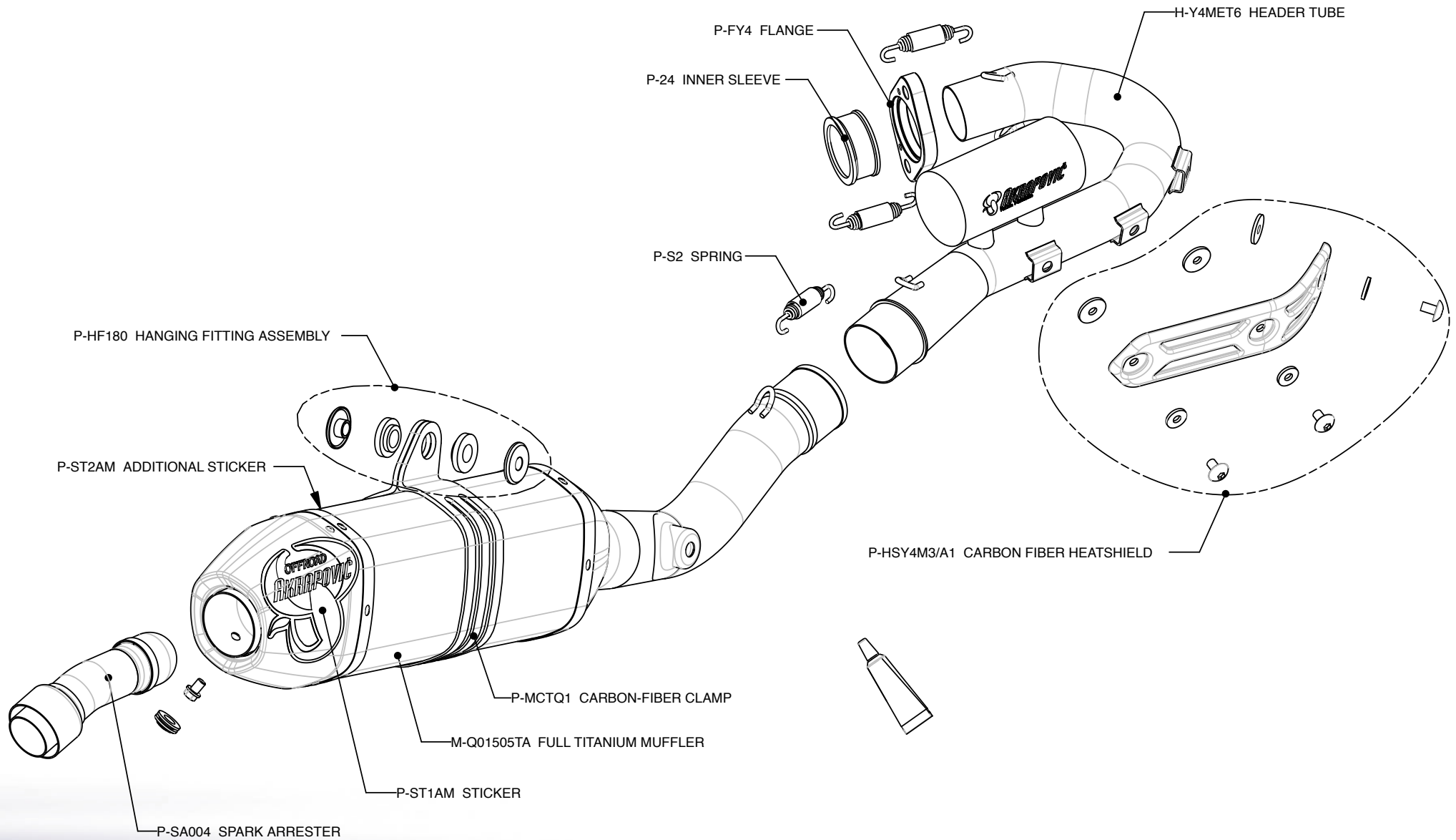
Product code: 107099 (S-Y4MR6-QTA) US market



Akrapovic Exhaust System Technology copyright 2007, all rights reserved

Akrapovic Racing & Evolution Exhaust System

for the Yamaha YZ 4540F (2007)



Akrapovic Exhaust System Technology copyright 2007, all rights reserved

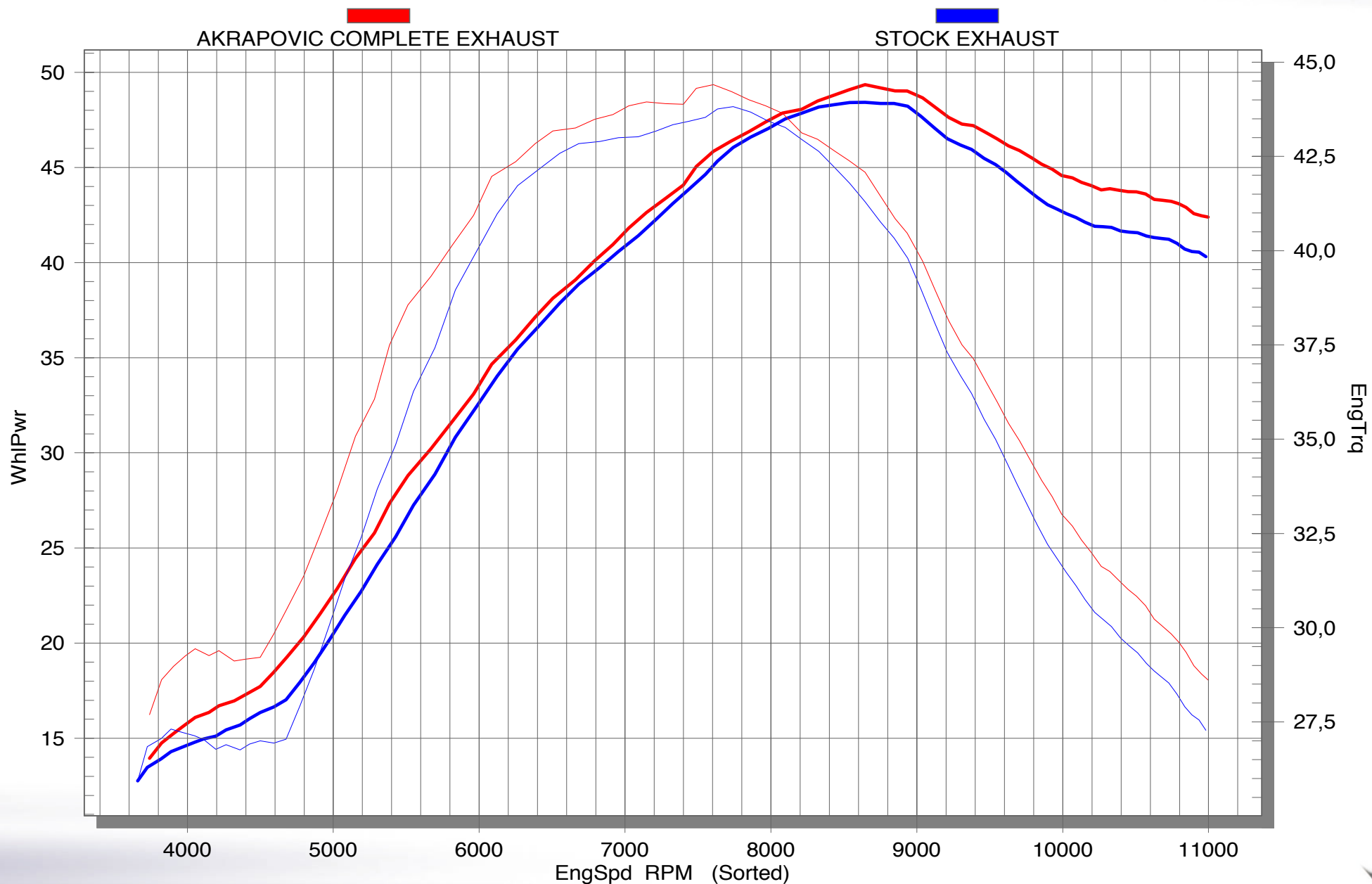
Off-Road Program

Product code: 107038 (S-Y4MET6-QTA) US market



Akrapovic Racing & Evolution Exhaust System

for the Yamaha YZ 4540F (2007)



Off-Road Program

Product code: 107098 (S-Y4MR6-QT), 107037 (S-Y4MET6-QT)
107099 (S-Y4MR6-QTA), 107038 (S-Y4MET6-QTA) US market

