

YAMAHA YZ250F

RACING & EVOLUTION EXHAUST SYSTEM

YAMAHA YZ250F

RACING & EVOLUTION EXHAUST SYSTEM

DESCRIPTION

The Akrapovic RACING and EVOLUTION complete exhaust systems are the championship winning flagships of our product lines. They are designed for competition-oriented MX riders who demand maximum performance from their exhaust systems, made of extremely durable high grade titanium or stainless steel. With their production quality, engine performance improvements, weight reduction and modern Hexagonal muffler design they satisfy even top pro racers. The systems are designed for two markets; in the USA they are available with an approved spark arrester, and for the EU and other non-US markets they come with a noise damper (2mMax insert). Our patented additional chamber helps to reduce noise emission and provides better power and torque delivery.

Performance

Measurements of the Akrapovic EVOLUTION system on the YAMAHA YZ250F (with muffler insert):

Power & Torque: The Akrapovic Evolution and Racing systems deliver a performance increase. The systems deliver increased torque between 7000 and 1300 rpm, what will additionally help at reducing lap times on the track. Max. increased power of 1.9 HP was measured at 10400 rpm, while max. power of 35.7 HP was measured at 11620 rpm.



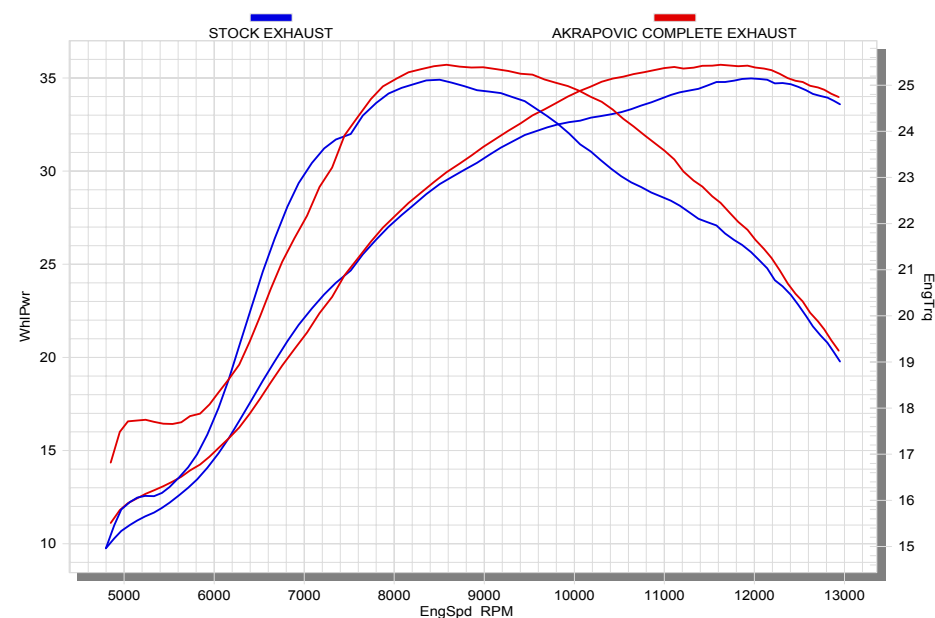
PERFORMANCE			
	stock	AKRAPOVIC	max. increased power
max. rear wheel power HP / rpm (measured on SuperFlow Cyle Dyn)	35.0 / 11960	35.7 / 11620	1.9 / 10400

ADDITIONAL DATA					
weight comparison (kg)	stock	AKRAPOVIC		difference	
	3.1	RACING	EVOLUTION	stock - RACING	stock - EVOLUTION
		2.92	2.33	0.18	0.77

noise measurements (dB / 2mMax)	stock	AKRAPOVIC
		115
legal for street use	NO	

Technical specifications of Akrapovic exhaust systems and related products subject to change without notice.

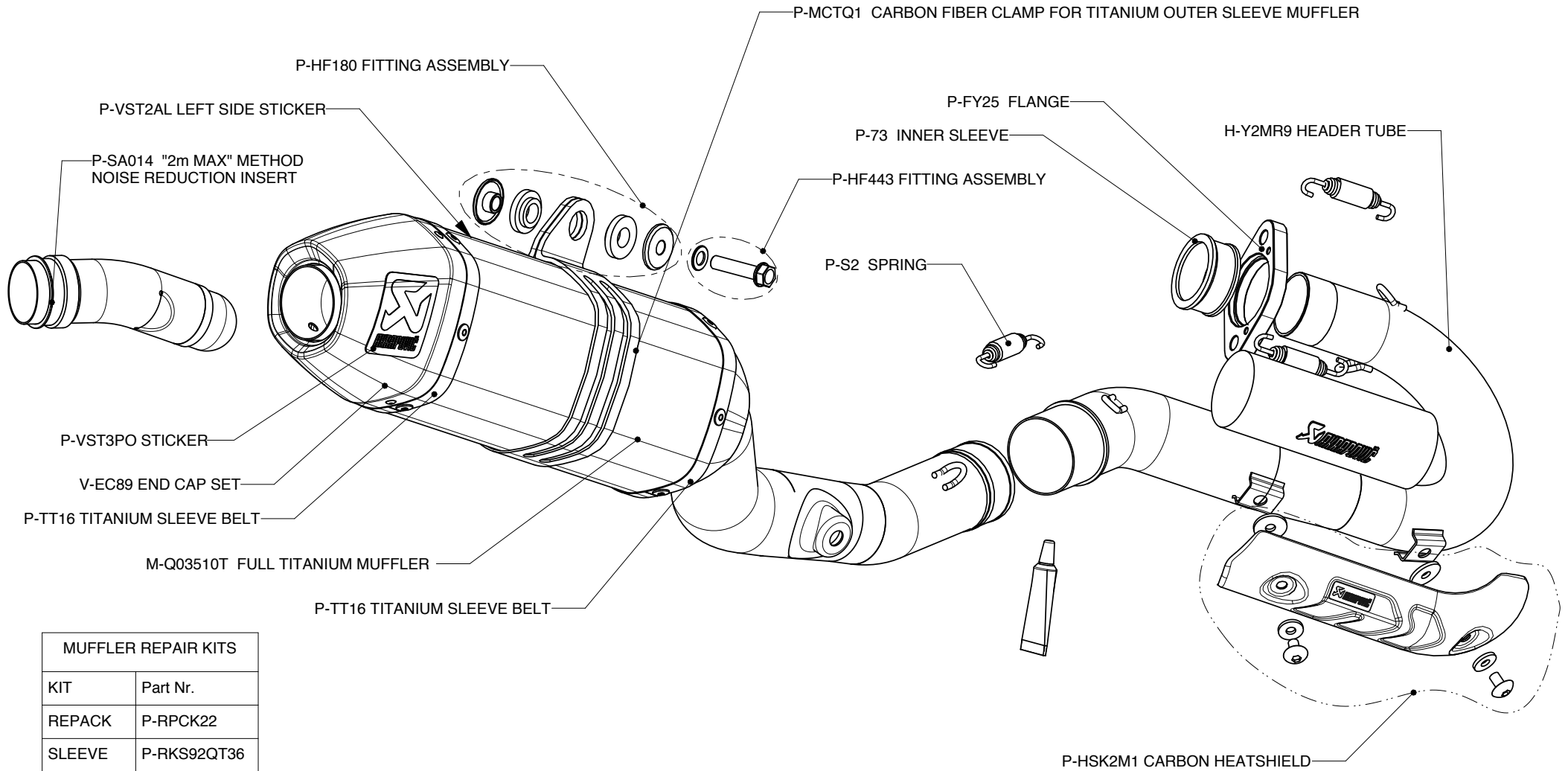
Product code: S-Y2MR1-QT, S-Y2MET11-QT
S-Y2MR1-QTA, S-Y2MET11-QTA US market



www.akrapovic.com

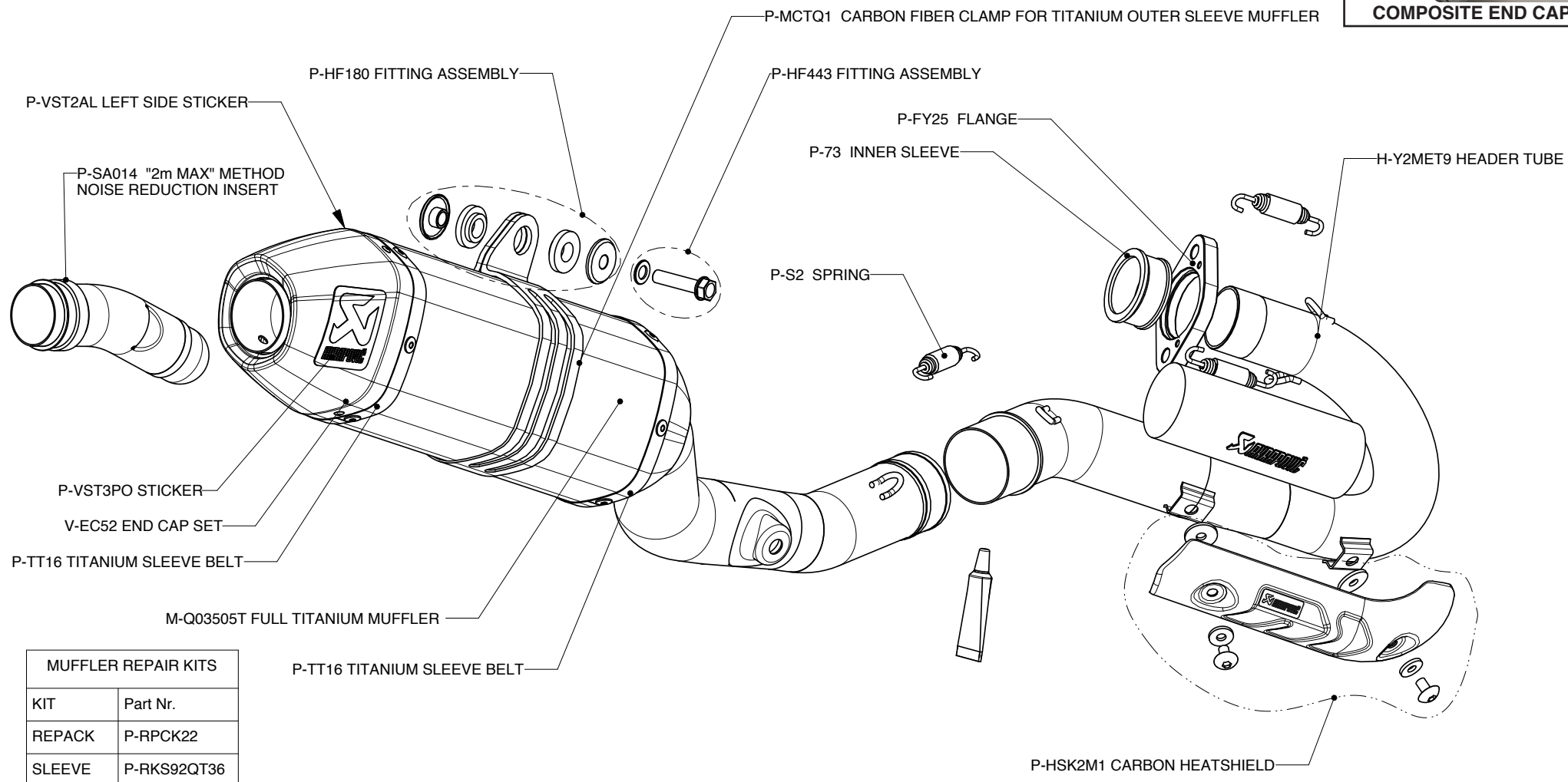
Akrapovic d.d. 2010 all rights reserved

29.11.2010



MUFFLER REPAIR KITS	
KIT	Part Nr.
REPACK	P-RPCK22
SLEEVE	P-RKS92QT36

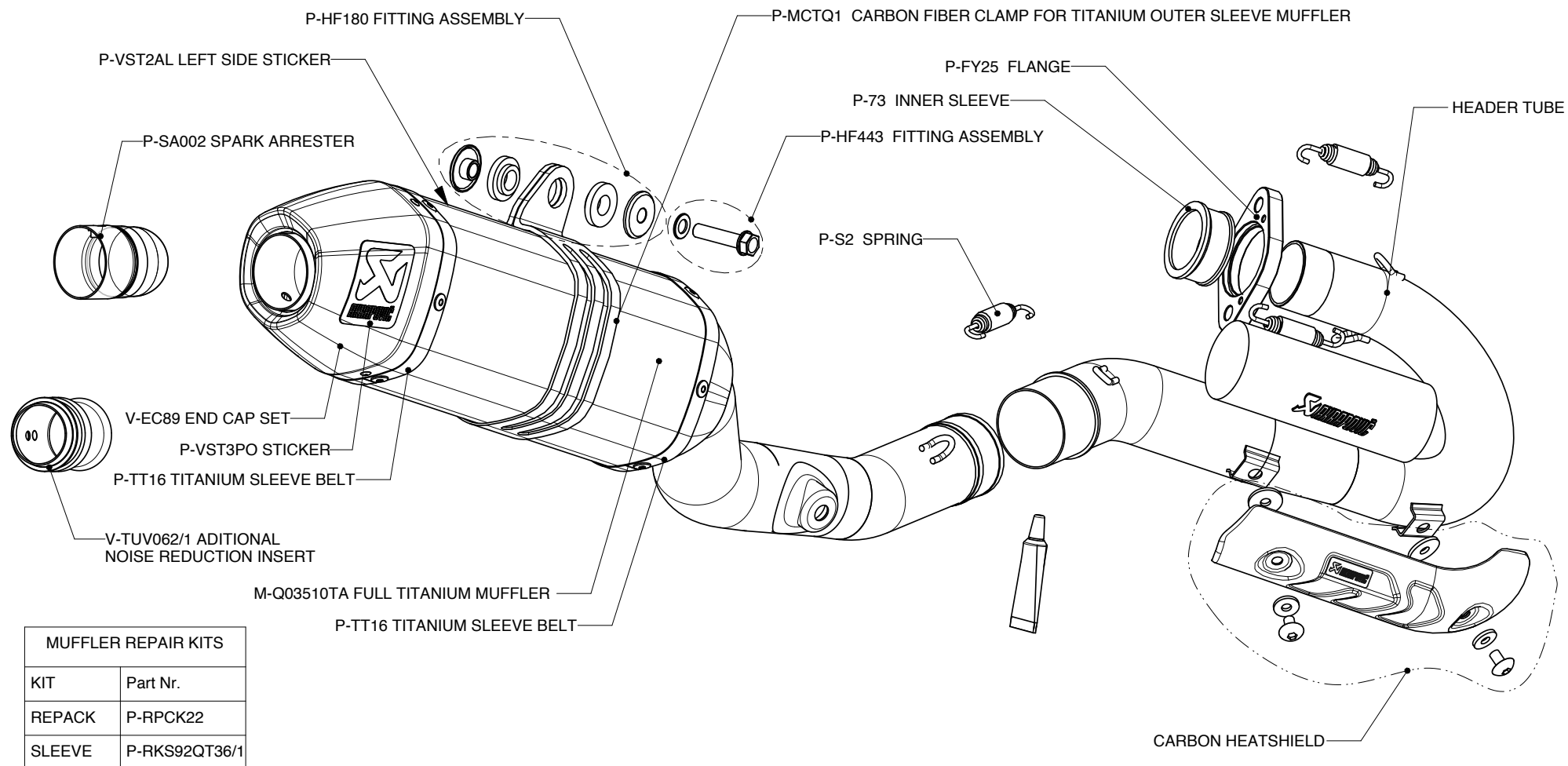
Product code: S-Y2MR1-QT



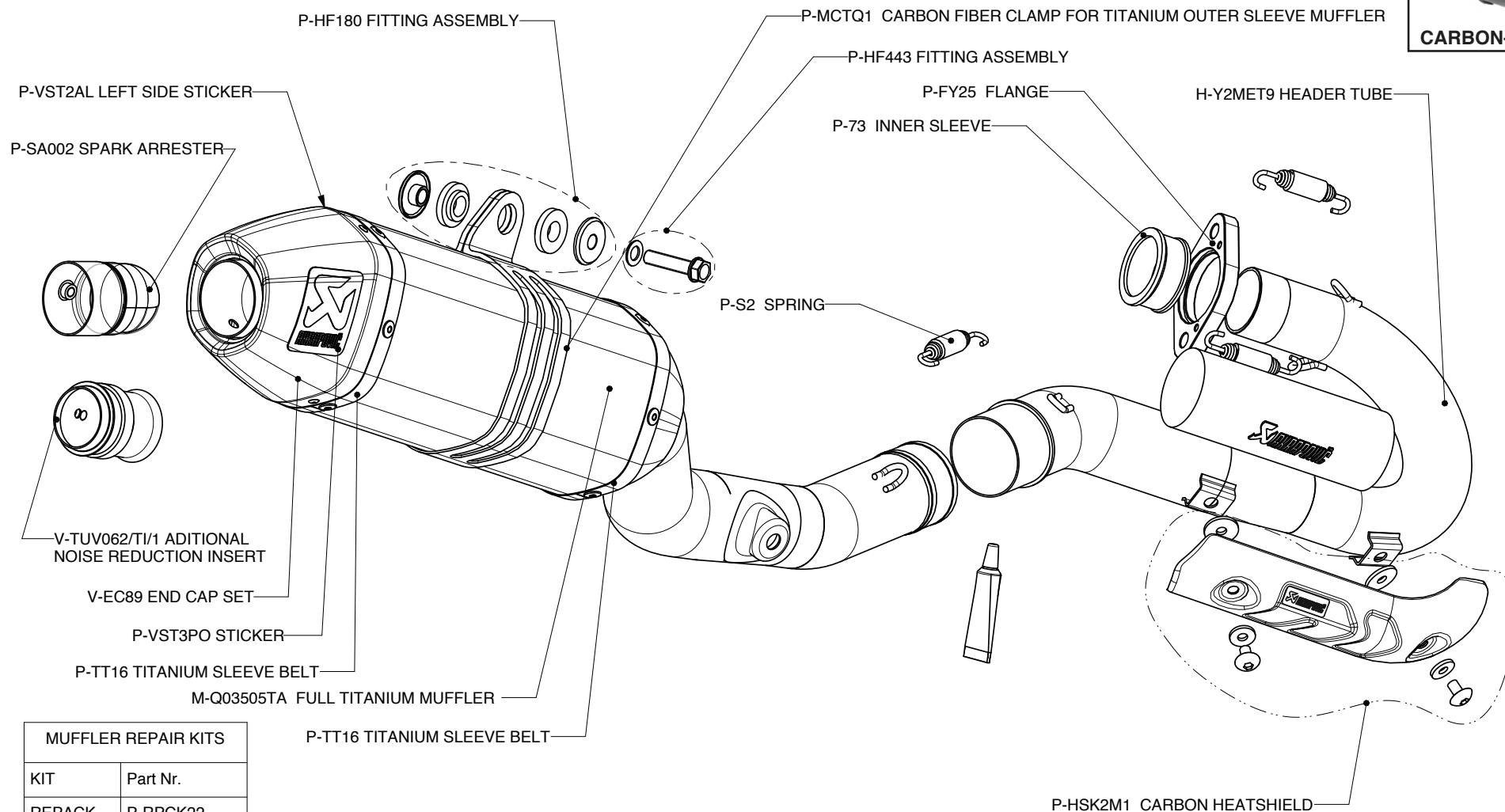
MUFFLER REPAIR KITS	
KIT	Part Nr.
REPACK	P-RPCK22
SLEEVE	P-RKS92QT36



COMPOSITE END CAP



MUFFLER REPAIR KITS	
KIT	Part Nr.
REPACK	P-RPCK22
SLEEVE	P-RKS92QT36/1



MUFFLER REPAIR KITS	
KIT	Part Nr.
REPACK	P-RPCK22
SLEEVE	P-RKS92QT36