



Yamaha YZF R1 (2007)

Racing & Evolution Exhaust System

# Akrapovic Racing & Evolution Exhaust System

for the Yamaha YZF R1 (2007)

The new R1 and the Akrapovic Racing/Evolution system is a combination, which promises extraordinary performance. The engine, with the aid of the Racing/Evolution system releases most power and torque and we believe that the experienced and racing oriented drivers will take great pleasure in taking advantage of the offered invigoration. Beside performance, the change will be also visual as the two "Akrapovics" fit the exterior line of the sharp Yamaha and add a clean racing image.

We would like to emphasise that for the above motorcycle a special set of Akrapovic carbon components is also available.

## PERFORMANCE

Measurements of the Akrapovic EVOLUTION/RACING system on the YAMAHA YZF R1:

Power & Torque: the fitting of the Akrapovic Racing or Evolution system greatly influences the capabilities of the engine. Both power and torque gain in terms of value over the entire rpm area, this increment is most felt from middle rpm onwards. Evolution/Racing system also fills the smaller decrease of torque of the serial exhaust between 6200 and 7400 rpm. Besides this, the torque is substantially higher in a lower rpm area and from middle to high rpm area. On the back wheel we measured an incredible 170 hp at 12500 rpm, while the largest difference of 10.4 HP between the serial and Akrapovic exhaust manifests itself at 6770 rpm.

## CONFIGURATION

Akrapovic RACING and EVOLUTION for Yamaha R1 has a specific configuration 4-2-1-2, which denotes: 4x header tubes are joined in to a dual collector, from this point on the system continues as a single Y part, from where two mufflers under the seat of the motorcycle. The RACING system has conical header tubes, made from stainless steel, both link pipes are cylindrical, made from titanium, and welded to the muffler. Other connections are in the form of sleeve joints, which is secured with a silicon-shielded spring. The muffler can be supplied in two types of the outer sleeve: titanium and carbon fibres. EVOLUTION differs from RACING only by the material of its pipes, which are all made from titanium. The mufflers for EVOLUTION are available in the same two types as for RACING. The metal interior parts of both mufflers are made entirely from titanium. The outlet cap is made from carbon fibres in both cases. On the Y part the two systems have a welded piece for the attachment of the lambda sensor.

	PERFORMANCE		
	stock	AKRAPOVIC	max. increased power
max. rear wheel power HP / rpm (measured on SuperFlow Cycle Dyn)	164.3 / 12600	170 / 12500	10.4 / 6770

	CONFIGURATION			
	header tubes	collector	Y-connecting tube	link pipe
material	TITANIUM (Evolution) STAINLESS STEEL (Racing)	TITANIUM (Evolution) STAINLESS STEEL (Racing)	TITANIUM (Evolution) STAINLESS STEEL (Racing)	TITANIUM (Evolution) TITANIUM (Racing)
tube shape	CONICAL	CYLINDRICAL	CONICAL	CYLINDRICAL

interference crossover tubes	NO		lambda sensor	YES
header tube inner sleeves	S.S. CNC MACHINED		header tube flanges	ALU CNC MACHINED
header tubes - collector connection	SLEEVE JOINT + SILICON SHIELDED SPRINGS		collector / header tube - link pipe connection	SLEEVE JOINT + SILICON SHIELDED SPRINGS
link pipe - muffler connection	SLEEVE JOINT + SILICON SHIELDED SPRINGS		muffler inlet cap / outlet cap	TITANIUM - CARBON FIBER / STAINLESS STEEL - CARBON FIBER
muffler metal interior	TITANIUM / STAINLESS STEEL		muffler outer sleeve	TITANIUM or CARBON-FIBER
muffler clamp	CARBON-FIBER		muffler bracket	-
muffler insert	EU	NOISE DAMPER	heat shield	NO
	US	-	catalytic converter	NO

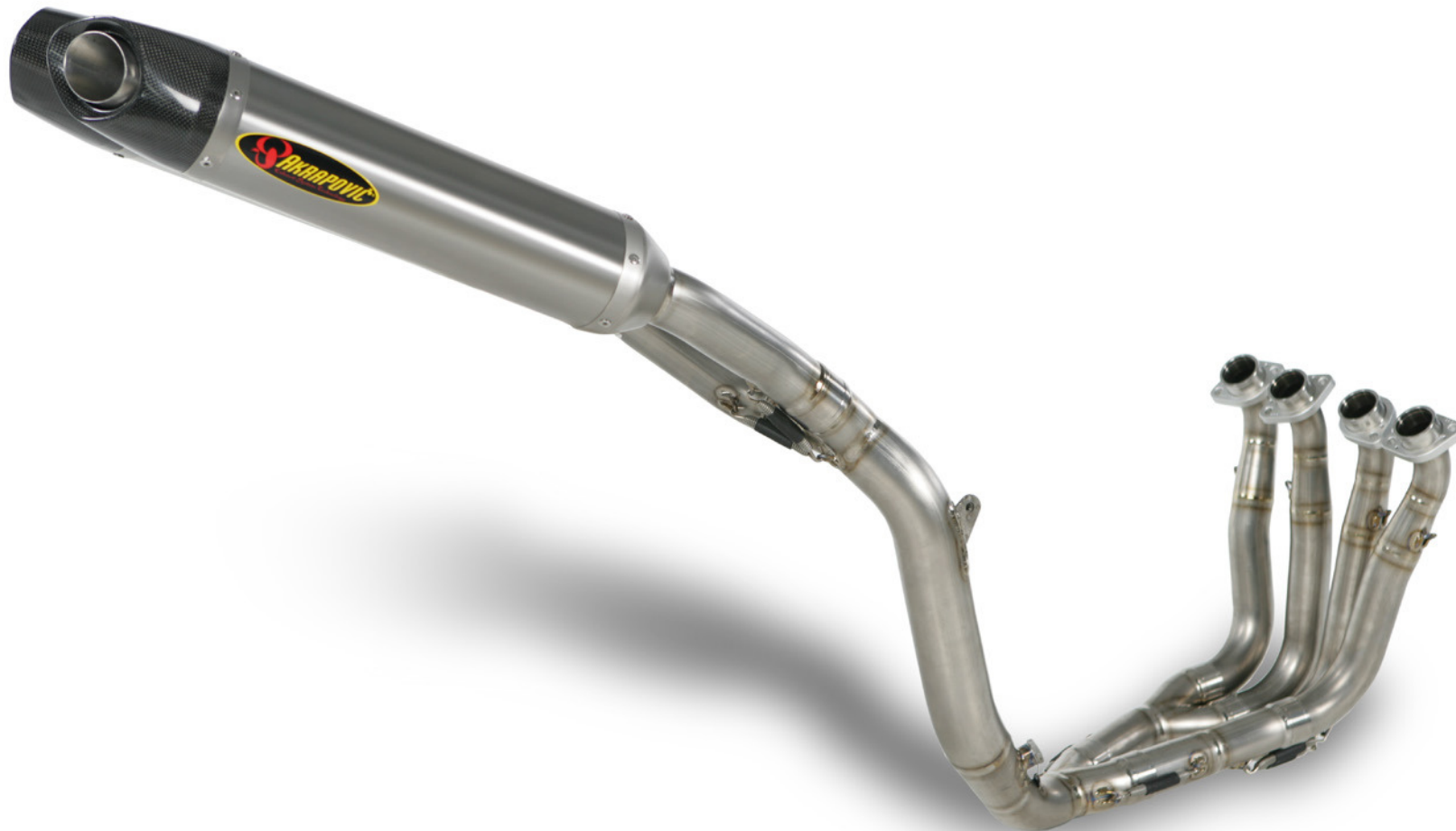
	ADDITIONAL DATA				
	stock	AKRAPOVIC		difference	
		RACING	EVOLUTION	stock - RACING	stock - EVOLUTION
weight comparison (kg)	10.47	7.27	5.53	3.20	4.94
noise measurements (dB / rpm)	stock		AKRAPOVIC		
	97 / 4500		106.6 / 4500 (open)		
possibility of periodic service without removing A.E.S.	oil		oil filter		
	YES		YES		
legal for street use	NO				

Technical specifications of Akrapovic exhaust systems and related products subject to change without notice.

Product code: 106955 (S-Y10R9-DTC), 106954 (S-Y10R9-DTT) Racing  
 106965 (S-Y10R9-DTC/1), 106964 (S-Y10R9-DTT/1) Racing (noise damper)  
 106953 (S-Y10RFT9T-DTC), 106952 (S-Y10RFT9T-DTT) Evolution  
 106963 (S-Y10RFT9T-DTC/1), 106962 (S-Y10RFT9T-DTT/1) Evolution (noise damper)  
 107066 (S-Y10EFT9T-DTT) Evolution KIT

# Akrapovic Racing & Evolution Exhaust System

for the Yamaha YZF R1 (2007)



Product code: 106955 (S-Y10R9-DTC), 106954 (S-Y10R9-DTT) Racing  
 106965 (S-Y10R9-DTC/1), 106964 (S-Y10R9-DTT/1) Racing (noise damper)  
 106953 (S-Y10RFT9T-DTC), 106952 (S-Y10RFT9T-DTT) Evolution  
 106963 (S-Y10RFT9T-DTC/1), 106962 (S-Y10RFT9T-DTT/1) Evolution (noise damper)  
 107066 (S-Y10EFT9T-DTT) Evolution KIT

# Akrapovic Racing & Evolution Exhaust System

for the Yamaha YZF R1 (2007)



Product code: 106955 (S-Y10R9-DTC), 106954 (S-Y10R9-DTT) Racing  
 106965 (S-Y10R9-DTC/1), 106964 (S-Y10R9-DTT/1) Racing (noise damper)  
 106953 (S-Y10RFT9T-DTC), 106952 (S-Y10RFT9T-DTT) Evolution  
 106963 (S-Y10RFT9T-DTC/1), 106962 (S-Y10RFT9T-DTT/1) Evolution (noise damper)  
 107066 (S-Y10EFT9T-DTT) Evolution KIT

# Akrapovic Racing & Evolution Exhaust System for the Yamaha YZF R1 (2007)



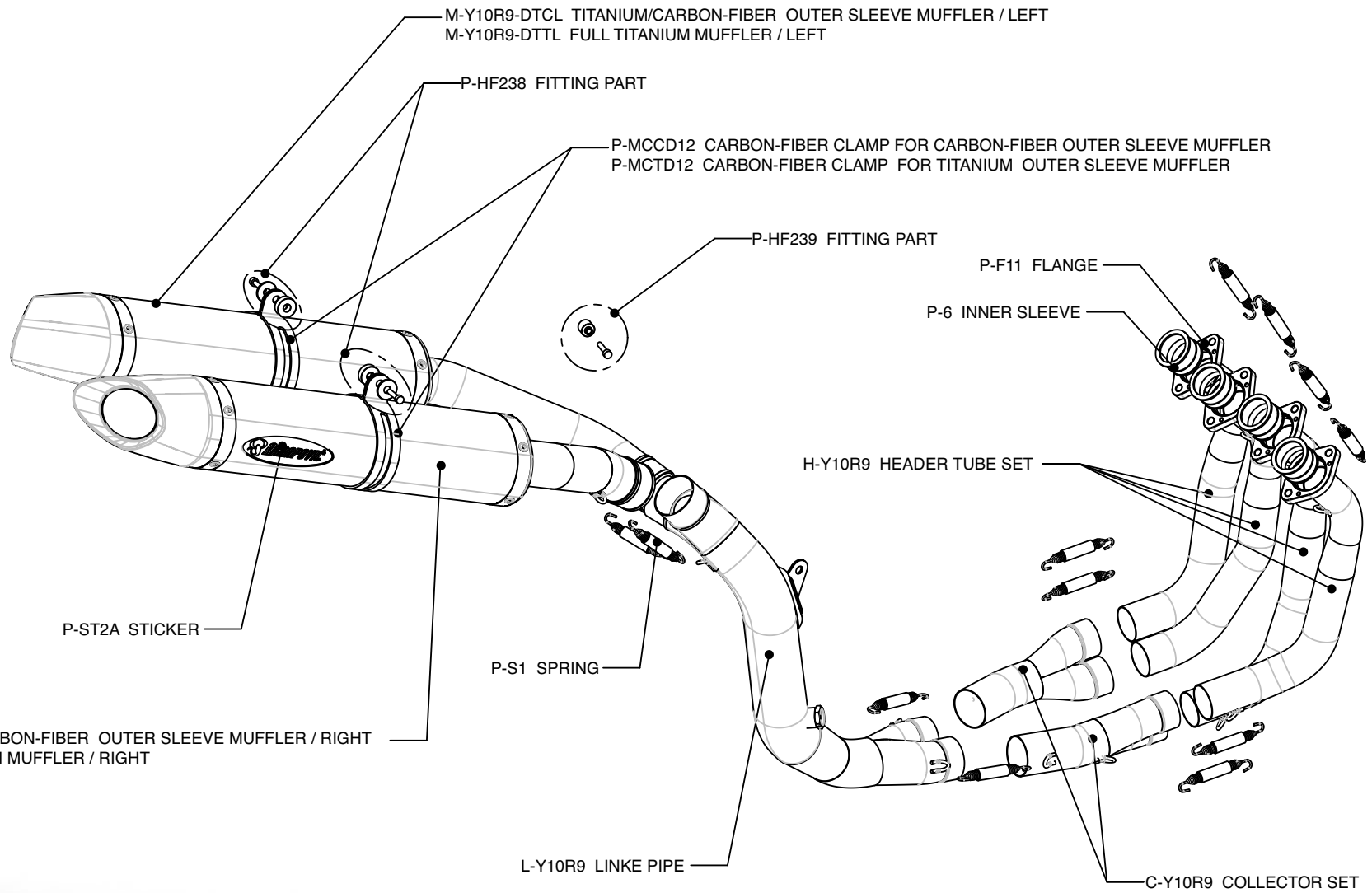
Akrapovic Exhaust System Technology copyright 2007, all rights reserved

Road Program

Product code: 106955 (S-Y10R9-DTC), 106954 (S-Y10R9-DTT) Racing  
106965 (S-Y10R9-DTC/1), 106964 (S-Y10R9-DTT/1) Racing (noise damper)  
106953 (S-Y10RFT9T-DTC), 106952 (S-Y10RFT9T-DTT) Evolution  
106963 (S-Y10RFT9T-DTC/1), 106962 (S-Y10RFT9T-DTT/1) Evolution (noise damper)  
107066 (S-Y10EFT9T-DTT) Evolution KIT

# Akrapovic Racing & Evolution Exhaust System

for the Yamaha YZF R1 (2007)



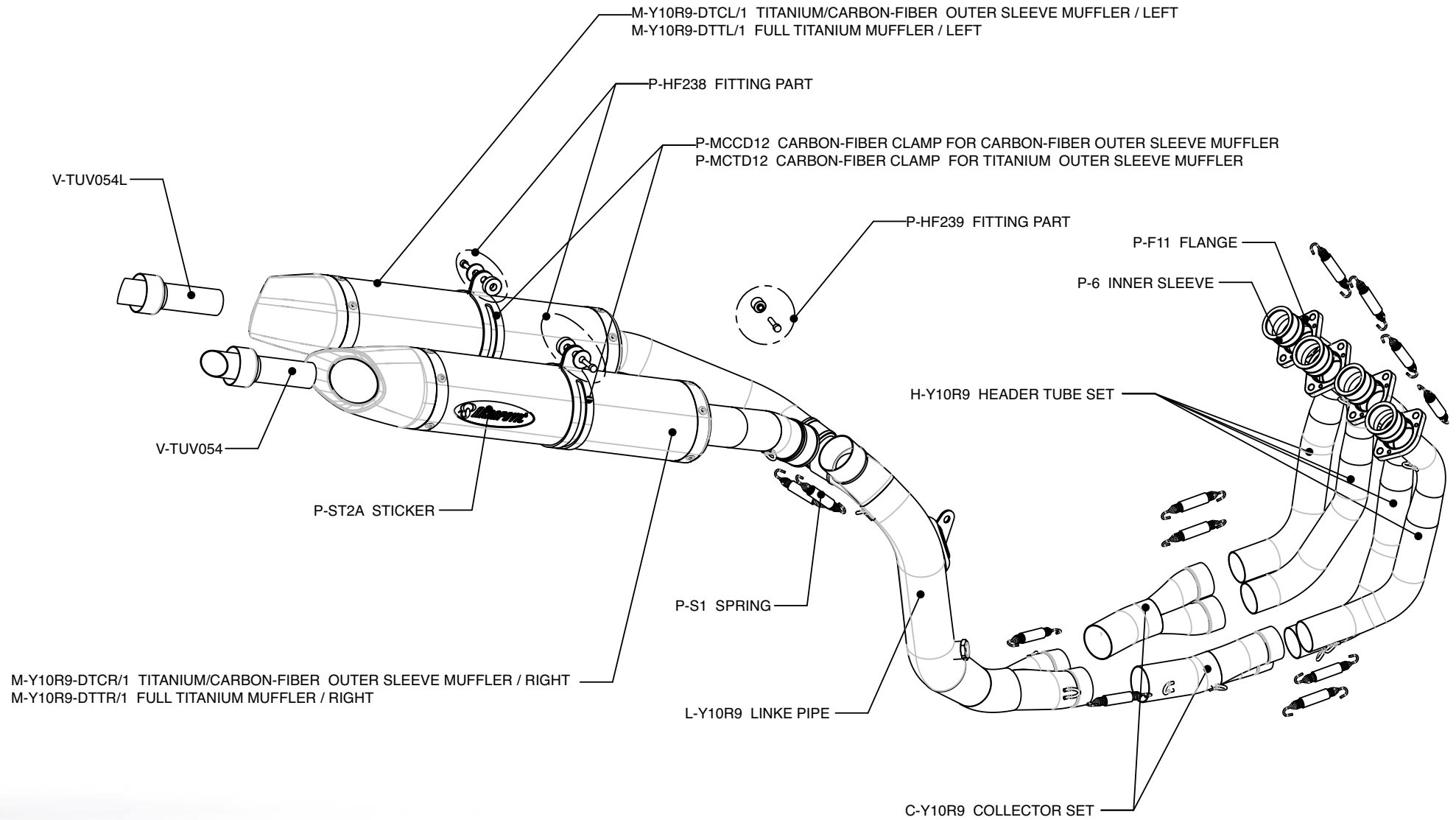
Road Program

M-Y10R9-DTCR TITANIUM/CARBON-FIBER OUTER SLEEVE MUFFLER / RIGHT  
M-Y10R9-DTTR FULL TITANIUM MUFFLER / RIGHT

Product code: 106955 (S-Y10R9-DTC), 106954 (S-Y10R9-DTT) Racing

# Akrapovic Racing & Evolution Exhaust System

for the Yamaha YZF R1 (2007)

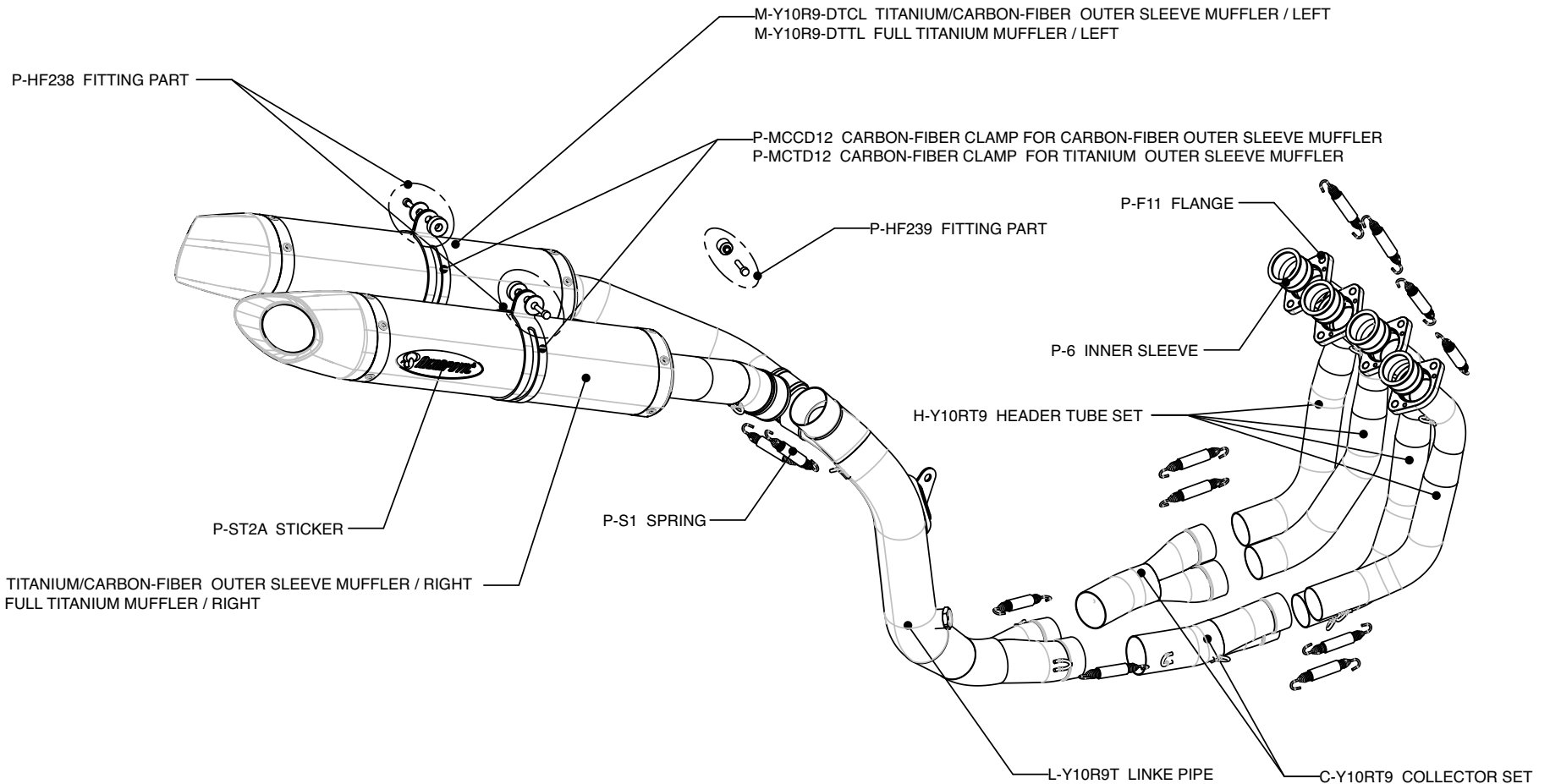


Product code: 106965 (S-Y10R9-DTC/1), 106964 (S-Y10R9-DTT/1) Racing (noise damper)

Road Program

Akrapovic Exhaust System Technology copyright 2007, all rights reserved

# Akrapovic Racing & Evolution Exhaust System for the Yamaha YZF R1 (2007)



Akrapovic Exhaust System Technology copyright 2007, all rights reserved

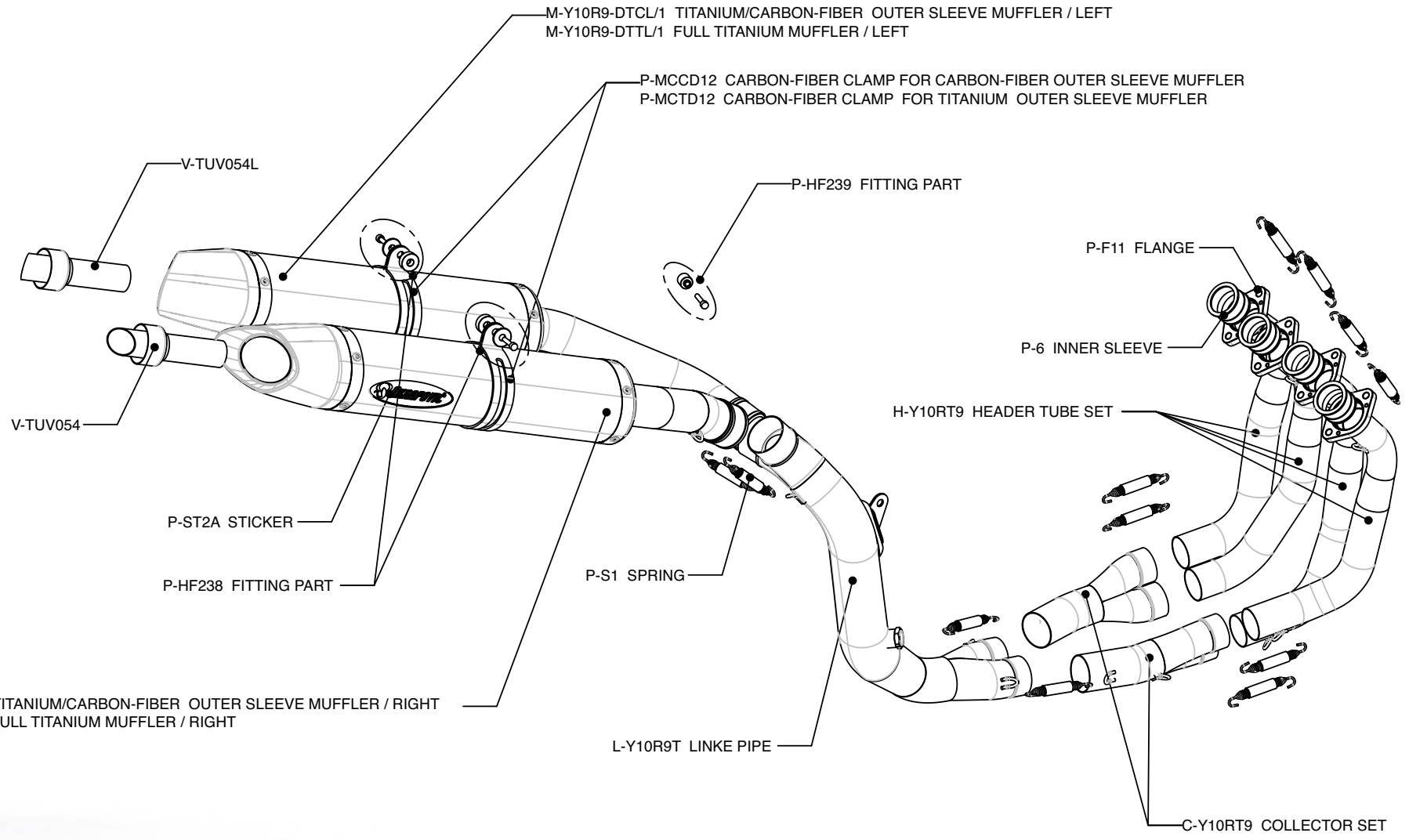
Road Program

Product code: 106953 (S-Y10RFT9T-DTC), 106952 (S-Y10RFT9T-DTT) Evolution



# Akrapovic Racing & Evolution Exhaust System

for the Yamaha YZF R1 (2007)



M-Y10R9-DTCR/1 TITANIUM/CARBON-FIBER OUTER SLEEVE MUFFLER / RIGHT  
 M-Y10R9-DTTR/1 FULL TITANIUM MUFFLER / RIGHT

M-Y10R9-DTCL/1 TITANIUM/CARBON-FIBER OUTER SLEEVE MUFFLER / LEFT  
 M-Y10R9-DTTL/1 FULL TITANIUM MUFFLER / LEFT

P-MCCD12 CARBON-FIBER CLAMP FOR CARBON-FIBER OUTER SLEEVE MUFFLER  
 P-MCTD12 CARBON-FIBER CLAMP FOR TITANIUM OUTER SLEEVE MUFFLER

V-TUV054L

P-HF239 FITTING PART

P-F11 FLANGE

P-6 INNER SLEEVE

H-Y10RT9 HEADER TUBE SET

P-ST2A STICKER

P-S1 SPRING

P-HF238 FITTING PART

L-Y10R9T LINKE PIPE

C-Y10RT9 COLLECTOR SET

V-TUV054

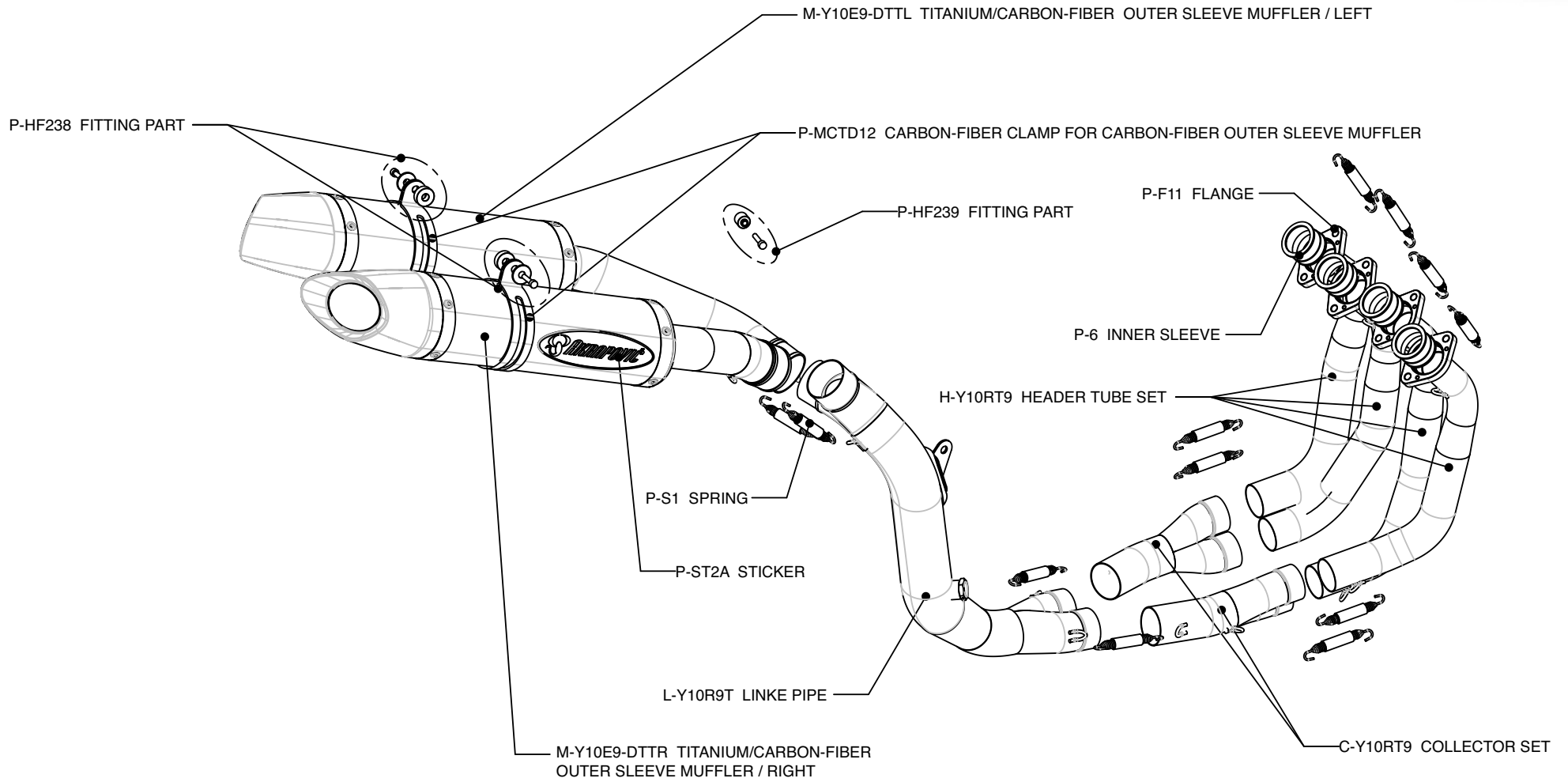
Road Program

Product code: 106963 (S-Y10RFT9T-DTC/1), 106962 (S-Y10RFT9T-DTT/1) Evolution (noise damper)



Akrapovic Exhaust System Technology copyright 2007, all rights reserved

# Akrapovic Racing & Evolution Exhaust System for the Yamaha YZF R1 (2007)



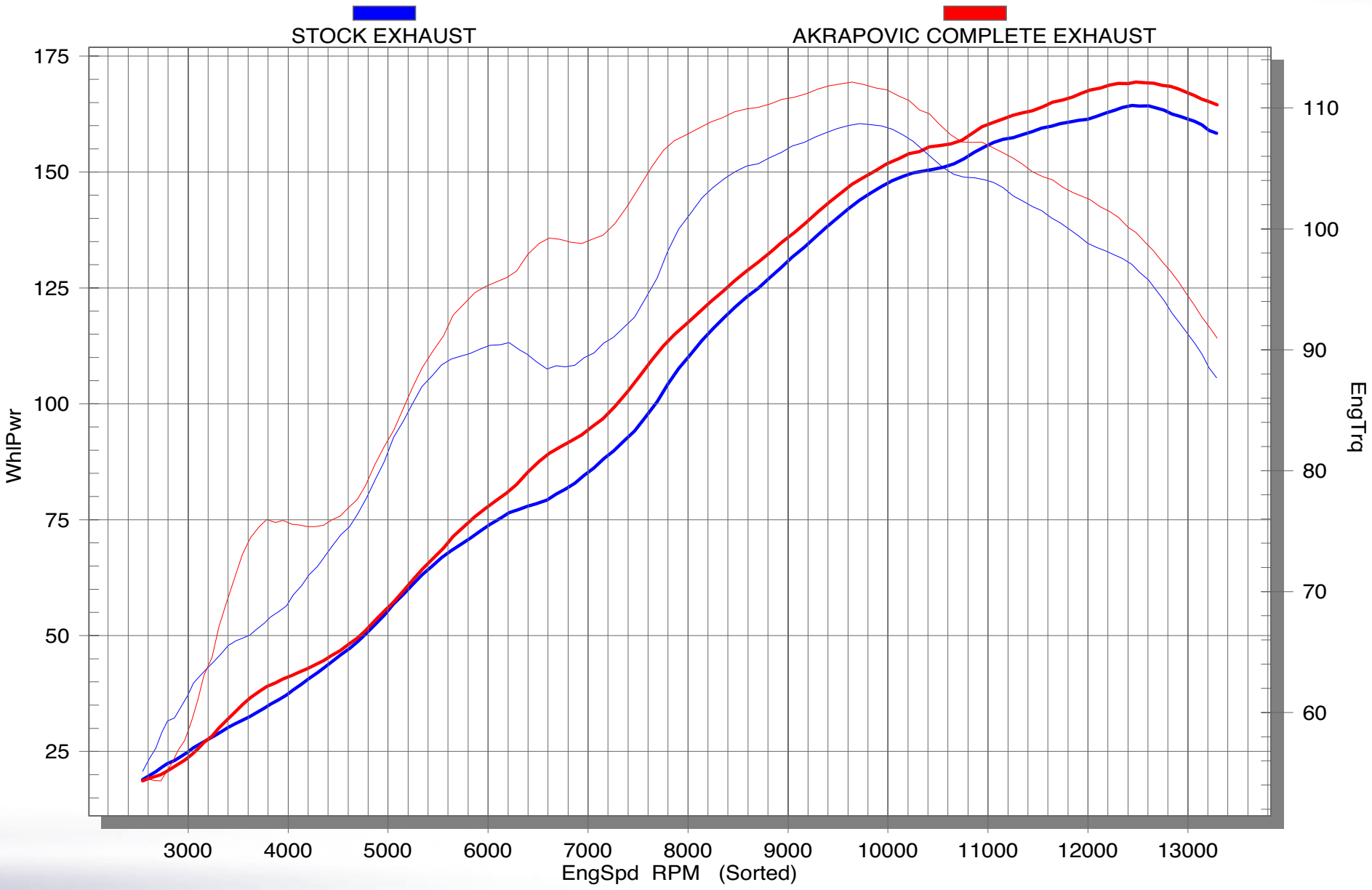
Akrapovic Exhaust System Technology copyright 2007, all rights reserved

Road Program

Product code: 107066 (S-Y10EFT9T-DTT) Evolution KIT



# Akrapovic Racing & Evolution Exhaust System for the Yamaha YZF R1 (2007)



Road Program

Product code: 106955 (S-Y10R9-DTC), 106954 (S-Y10R9-DTT) Racing  
 106965 (S-Y10R9-DTC/1), 106964 (S-Y10R9-DTT/1) Racing (noise damper)  
 106953 (S-Y10RFT9T-DTC), 106952 (S-Y10RFT9T-DTT) Evolution  
 106963 (S-Y10RFT9T-DTC/1), 106962 (S-Y10RFT9T-DTT/1) Evolution (noise damper)  
 107066 (S-Y10EFT9T-DTT) Evolution KIT



Akrapovic Exhaust System Technology copyright 2007, all rights reserved