



YAMAHA FZ8 / FAZER 8 (2010)

RACING EXHAUST SYSTEM

YAMAHA FZ8 / FAZER 8 (2010)

SLIP-ON STREET LEGAL EXHAUST SYSTEM

DESCRIPTION

Akrapovic Racing system is designed for riders who demand maximum performance. Combination of stainless steel racing headers and slip-on street legal muffler is significantly lighter if compared to stock exhaust system and feature exceptional production quality, hi-tech materials and of course increased engine performance combined with pure racing sound output. The Akrapovic Racing and system was developed to complement the racing character of the FZ8 / Fazer 8. We offer titanium or carbon-fiber muffler outer sleeve. System is not street legal and designed for racing purpose only.

PERFORMANCE

Measurements of the Akrapovic Racing system on the YAMAHA FZ8 /Fazer 8 (without muffler insert):

Power & Torque: the Akrapovic racing system radically changes this bike's performance. The increase begins at the low end, and keeps on growing right to the top of the range, where max. increased power of 7.5 HP is recorded at 5450 rpm. The torque curve also gets a major boost, indicating the system's exceptional synergetic effects on the Yamaha engine.



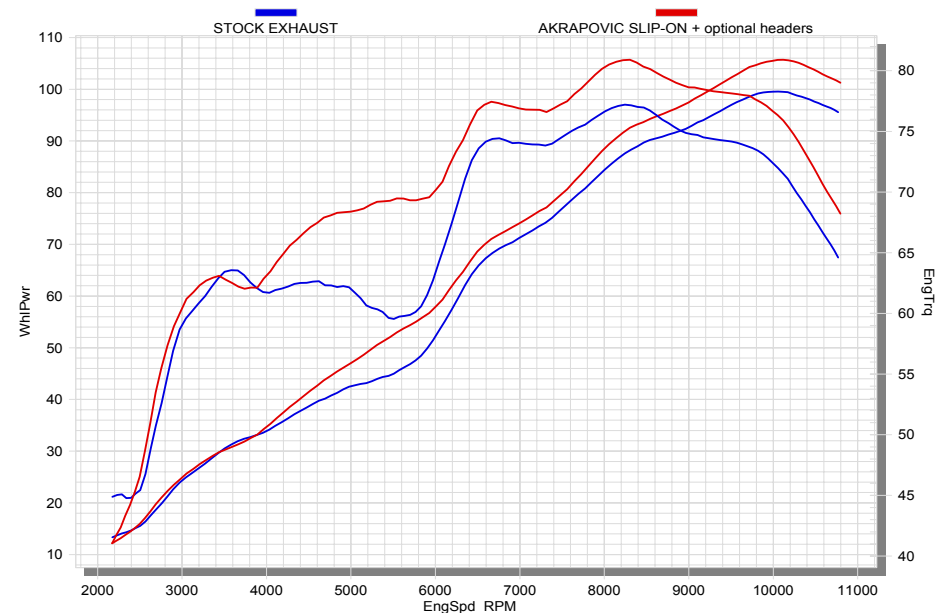
PERFORMANCE			
	stock	AKRAPOVIC	max. increased power
max. rear wheel power HP / rpm (measured on SuperFlow Cycle Dyn)	99.5 / 10000	105.7 / 10100	7.5 / 5450

ADDITIONAL DATA					
weight comparison (kg)	stock	AKRAPOVIC		difference	
	9.67	RACING	EVOLUTION	stock - RACING	stock - EVOLUTION
		5.14	-	0.00	4.53

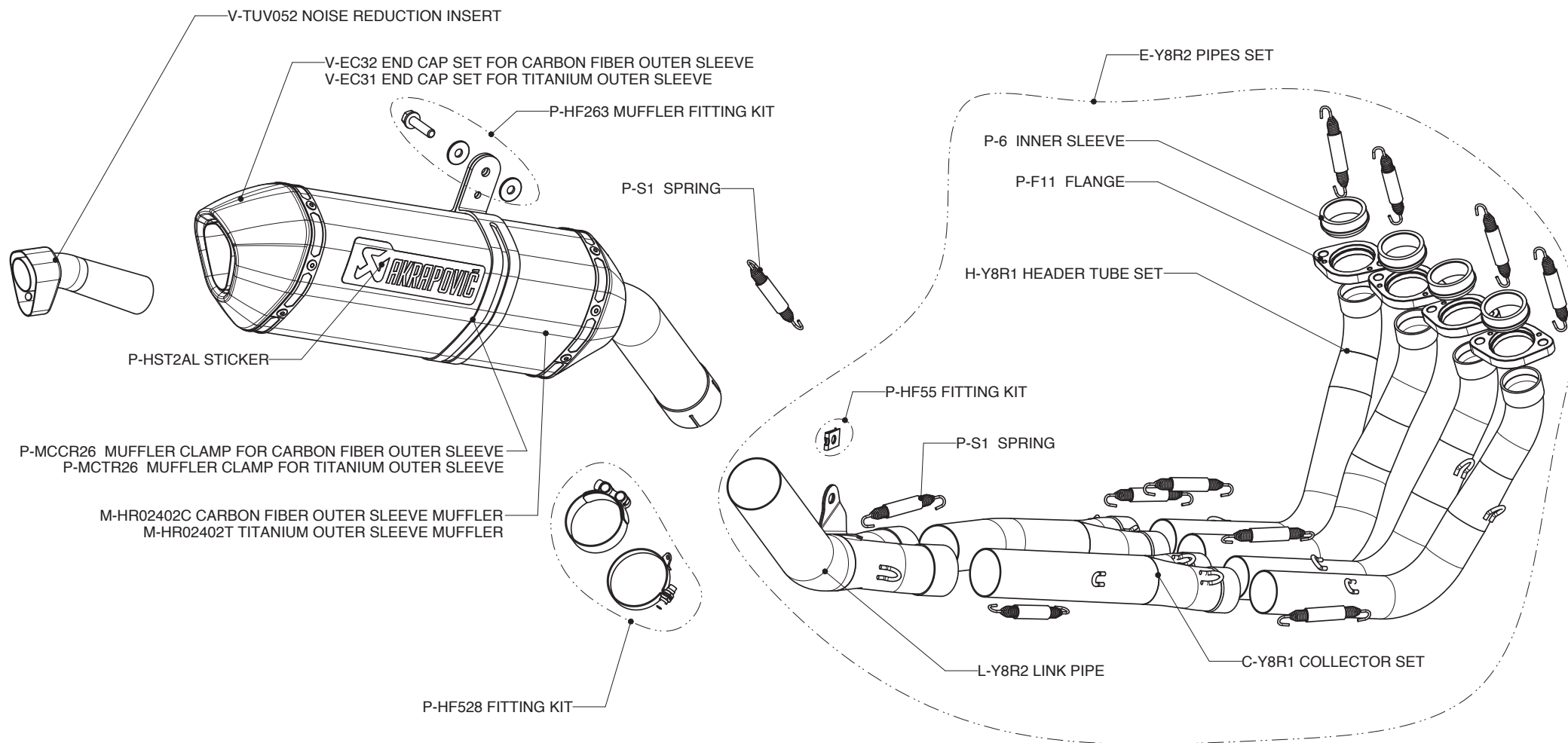
noise measurements (dB / rpm)	stock	AKRAPOVIC
	91 / 5000	95 / 5000
legal for street use	NO	

Technical specifications of Akrapovic exhaust systems and related products subject to change without notice.

Product code: S-Y8SO1-HRC, S-Y8SO1-HRT



www.akrapovic.com
Akrapovic d.d. 2010 all rights reserved
18.07.2010



RACING LINE tube set and a street legal SLIP-ON muffer.

Warning! This combination is not homologated!

Product code: S-Y8SO1-HRC, S-Y8SO1-HRT