



Slip-On Line (Titanium)

Product code: **S-T800SO1-HZAAT**

The Akrapovič Slip-On exhaust system is designed for riders who do not want to make expensive and major modifications to their stock exhaust system. However, the Hexagonal muffler delivers great looks as well as increased performance for the Triumph.

The Akrapovič Slip-On exhaust system increases engine power and its torque at practically every rpm.

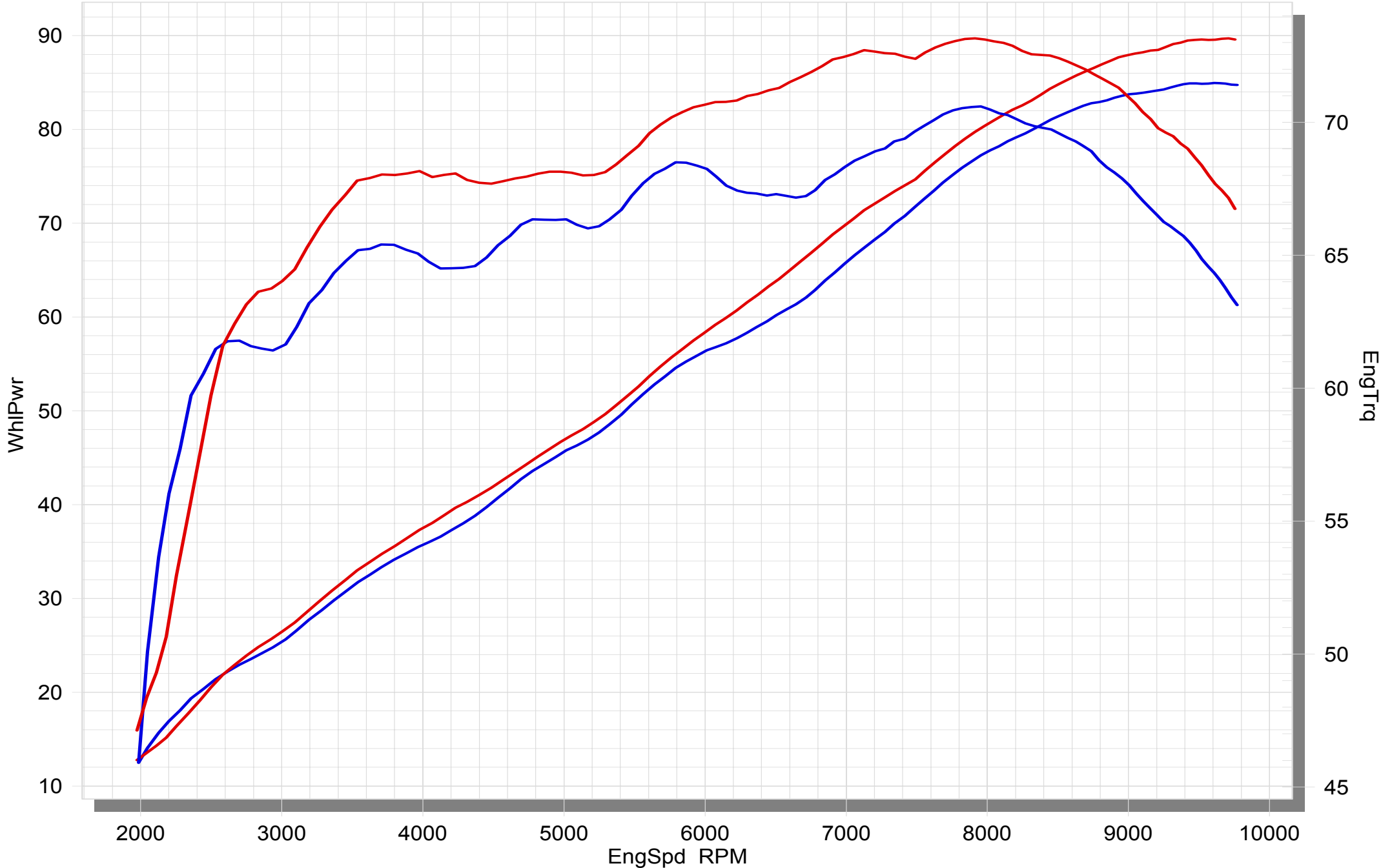
TECHNICAL DATA	UNIT	STOCK	AKRAPOVIČ	DIFFERENCE
maximum power	kW	62.4 at 9650 rpm	66 at 9700 rpm	+ 3.6 at 9700 rpm
	HP (m)	84.9 at 9650 rpm	89.7 at 9700 rpm	+ 4.9 at 9700 rpm
	HP (i)	83.7 at 9650 rpm	88.5 at 9700 rpm	+ 4.8 at 9700 rpm
maximum torque	Nm	70.6 at 7950 rpm	73.2 at 7900 rpm	+ 4.5 at 6650 rpm
	lb-ft	52.1 at 9650 rpm	48.7 at 9700 rpm	+ 2.7 at 9700 rpm
weight	kg	3.8	2.9	- 0.9
	lb	8.4	8.4	- 2
static noise level	dB	92	92	0
	rpm	4650	4650	0

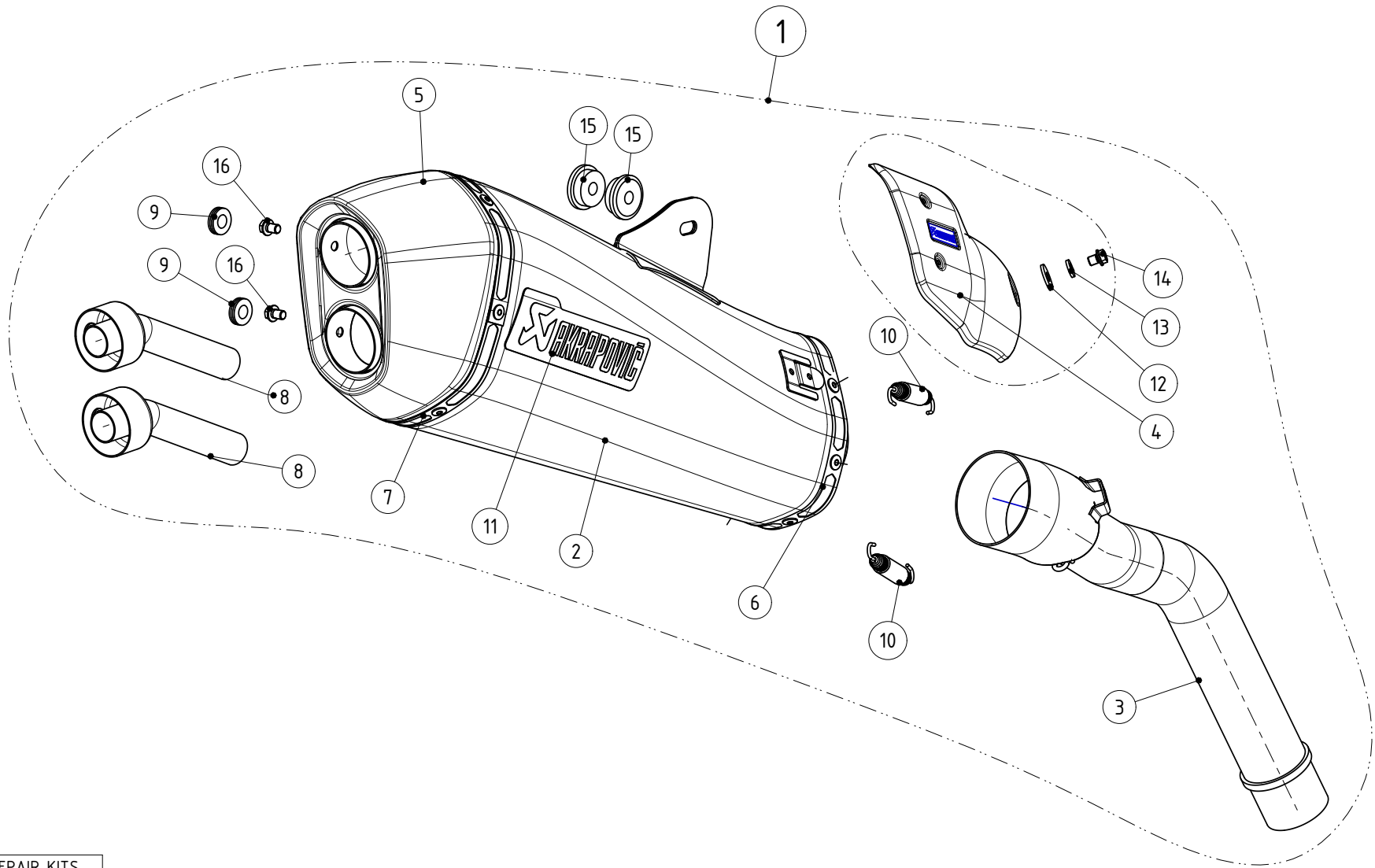
measured with: Triumph Tiger 800/800XC 2011

TRIUMPH TIGER 800

STOCK

AKRAPOVIC SLIP-ON





MUFFLER REPAIR KITS	
REPACK	17
SLEEVE	18

No.	SALES CODE	DESCRIPTION	QTY.
1	S-T800SO1-HZAAT	S TR Tiger-800 SO 011 LSMST Z-AA H	1
2	M-HZAA00202T	M HSO TR T S65Z10 T400/2×42 C2×D45AA4/22	1
3	L-T800SO1	LP SS D45/65 TR Tiger-800 SO 011	1
4	P-HST80CA1	HS CA TR Tiger-800 SO 2011	1
5	V-EC148	SRO zad. CA AA7 SS za PIAG MP3 SO 10	1
6	P-TT36	trak zak. TI L=386 S=16 Z TI0,9TT36N649	1
7	P-TT28	trak zak. TI L=500 S=16 AA TI TT28 izs	1
8	V-TUV114	vložek ses. HOM SS D22/95/43/27° UNI	2
9	P-GUV004	gumi vložek D18 nased-D13 logotip	2
10	P-S1	vzmet SS D10×80 Tip1 z zašč. gumo S1	2
11	P-HST2AL	nalepka Akrap. HOR 150 AL	1
12	P-DRH1/BAR316	podl. temp. tes. D20/5,8×2 BAR AISI316	1
13	P-DRH4/BAR316	podl. temp. tes. D15/5,8×2 BAR AISI316	1
14	P-FB44	vijak šest. prirob SS M6×12 UN5951 e-fix	1
15	P-DR51	puša dis. AL D8,5/30×10 ELOX DR51	2
16	P-FB56	vijak šest. prirob SS M6×6 S=8 imb S=4	1
17	P-RPCK60	MMRCK tip 60	1
18	P-RKS321ZAAT40	MRRSK tip 321ZAAT40	1