



## Slip-on Line (Carbon)

Product code: **S-T10SO1-HRC**

Our sporty and lightweight SLIP-ON system offer a great balance between price and performance and represent the first step in the exhaust system tuning process. The change will be also visual as our muffler perfectly fit the exterior line. The muffler outer sleeve is made of carbon.

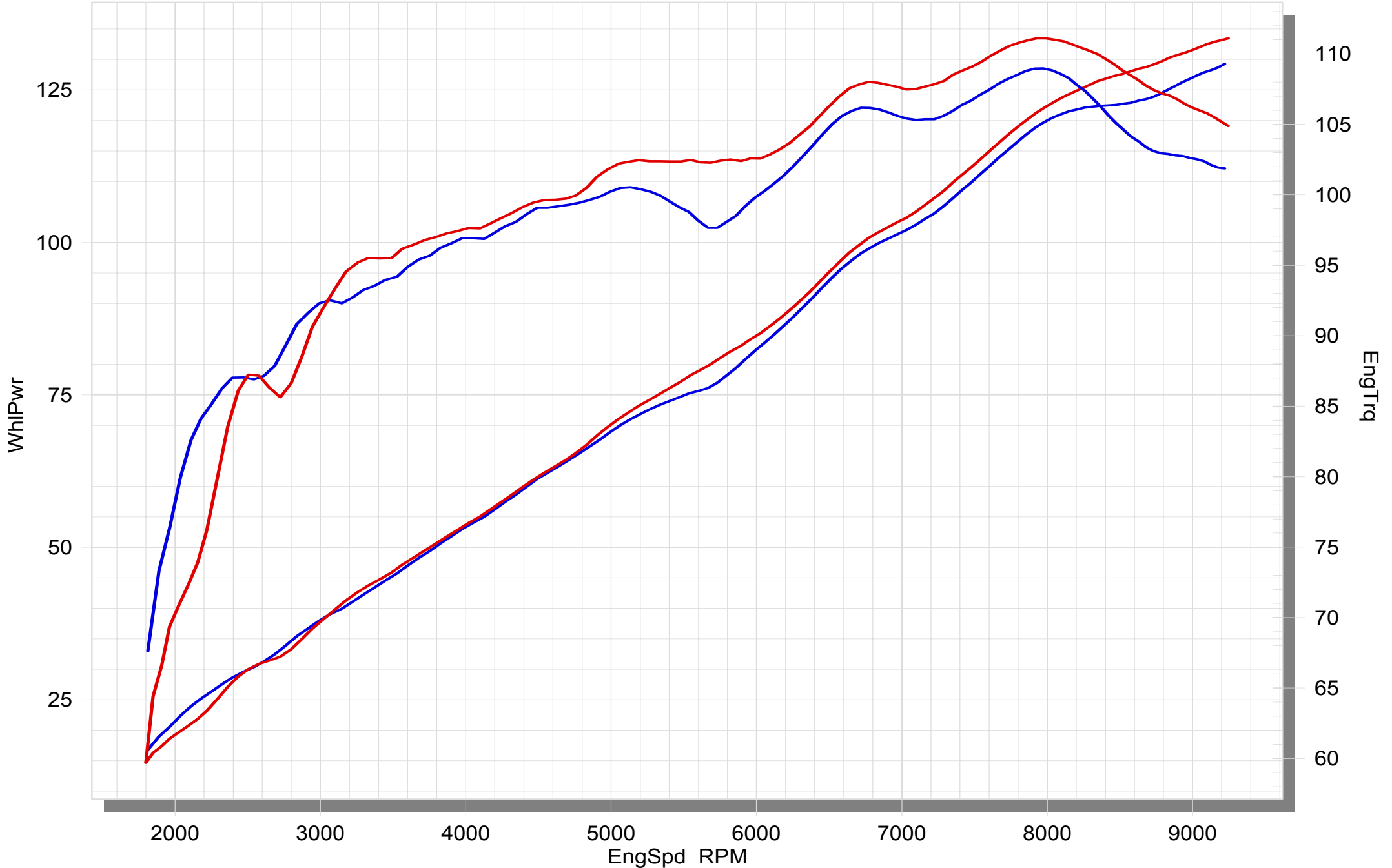
TECHNICAL DATA	UNIT	STOCK	AKRAPOVIČ	DIFFERENCE
maximum power	kW	95.1 at 9220 rpm	98 at 9200 rpm	+ 4 at 8650 rpm
	HP (m)	129.3 at 9220 rpm	133.3 at 9200 rpm	+ 5.5 at 8650 rpm
	HP (i)	127.5 at 9220 rpm	131.5 at 9200 rpm	+ 5.4 at 8650 rpm
maximum torque	Nm	109 at 7970 rpm	111.1 at 7930 rpm	+ 4.6 at 5650 rpm
	lb-ft	80.4 at 9220 rpm	72.3 at 9200 rpm	+ 3 at 8650 rpm
weight	kg	8.4	4.1	- 4.3
	lb	18.5	18.5	- 9.5
static noise level	dB	92	92	0
	rpm	4700	4700	0

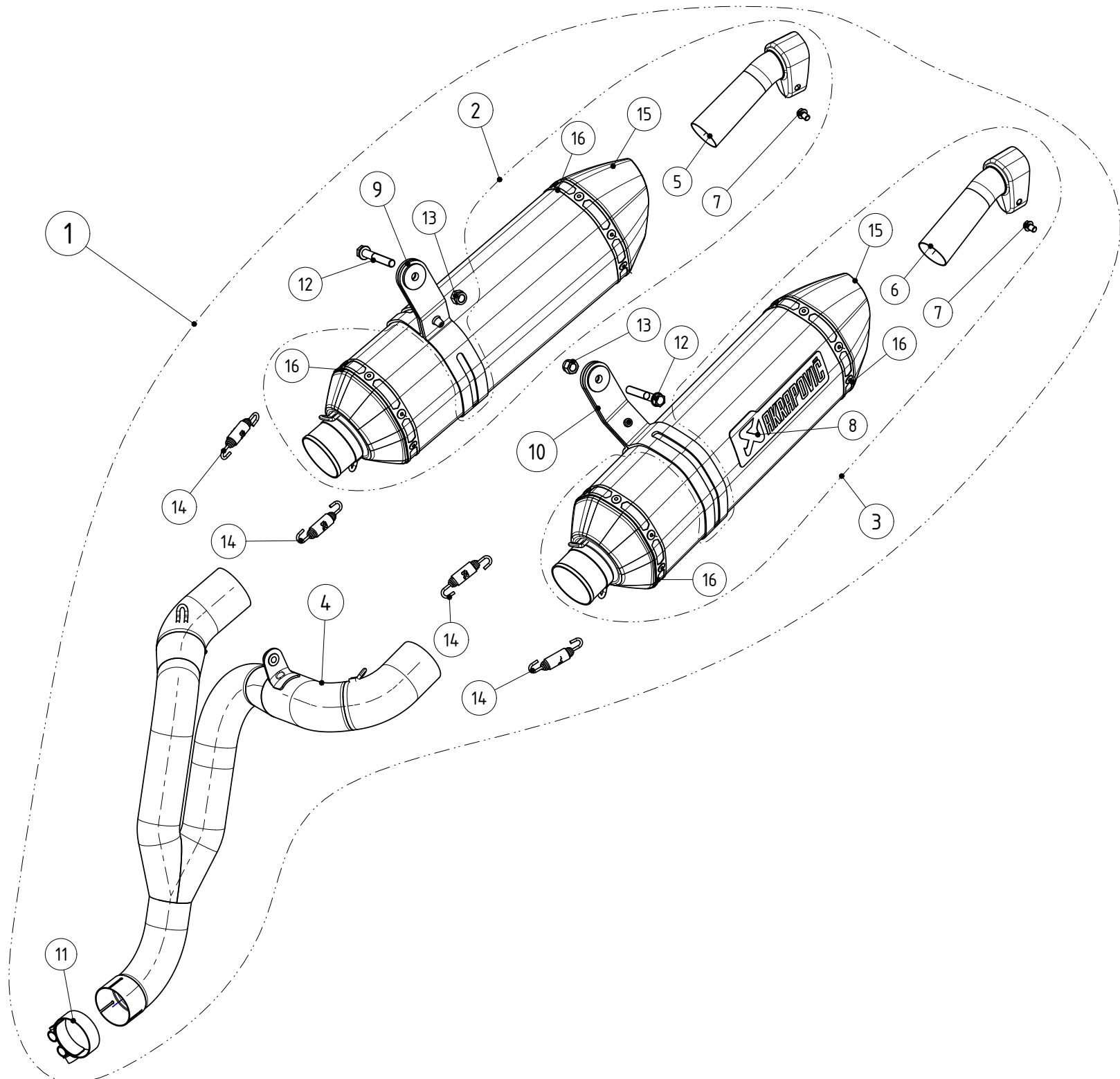


# TRIUMPH SPEED TRIPLE 1050

STOCK

AKRAPOVIC SLIP-ON





MUFFLER REPAIR KITS	
REPACK	17
SLEEVE	18

No.	SALES CODE	DESCRIPTION	QTY.
1	S-T10SO1-HRC	S TR ST-1050 SO 2011 MST Z H	1
2	M-HZ05402CR	M HZ054 S52Z1 C320/50 C70×50Z2/32 D	1
3	M-HZ05402CL	M HZ054 S52Z1 C320/50 C70×50Z2/32 L	1
4	C-T10SO1SS	LP SS D45/2×D52 TR ST-1050 SO 011	1
5	V-TUV052	vložek ses. HOM SS D32/90/65×46/22° Dkon	1
6	V-TUV052L	vložek ses. HOM SS D32/90/65×46/22° Lkon	1
7	P-FB40	vijak šest. prirob SS M6×8,5 S=8 imb S=4	2
8	P-HST2AL	nalepka Akrap. HOR 150 AL	2
9	P-MCCZ35	MC CA Z CA 50/8,5/137/35 CZ35X	1
10	P-MCCZ34	MC CA Z CA 50/8,5/137/35 CZ34X	1
11	P-R61	objemka SS D46×16 M8×35	2
12	P-FB24	vijak šest. prirob FE M8×50 SC	2
13	P-FN4	matica šestr. prirob FE M8 SC DIN 6923	4
14	P-S2	vzmet SS D10×60 Tip1 z zašč. gumo S2	1
15	V-EC26	SRO zad. CA Z2 CA za KA ZX-10R E,R,BO 06	2
16	P-TT19	trak zak. TI L=386 S=16 Z CA TT19	4
17	P-RPCK38	MMRCK tip 38	1
18	P-RKS239ZC32	MRRSK tip 239 ZC32 C320Z	1