



SUZUKI RM-Z 450

SLIP-ON EXHAUST SYSTEM

SUZUKI RM-Z 450

SLIP-ON EXHAUST SYSTEM

This Akrapovic Slip-On partial system is designed for recreational riders of the RMZ. Riders who are looking for a highest performance system should see our Akrapovic Racing and Evolution complete systems. The Akrapovic Slip-On is an excellent combination of quality workmanship, performance and affordability. For the European and other non-US markets it is equipped with a built-in noise damper, and for the American market it comes with an approved spark arrester.

PERFORMANCE

Measurements of the Akrapovic SLIP-ON system on the SUZUKI RM-Z 450 (with 2mMAX muffler insert):

Power & Torque: The Akrapovic Evolution and Racing systems deliver a performance increase throughout the bottom and top rpm range. The systems deliver increased torque through entire power curve, what will additionally help at reducing lap times on the track. Max. increased power of 3 HP was measured at 5960 rpm, while max. power of 50.4 HP was measured at 8780 rpm.



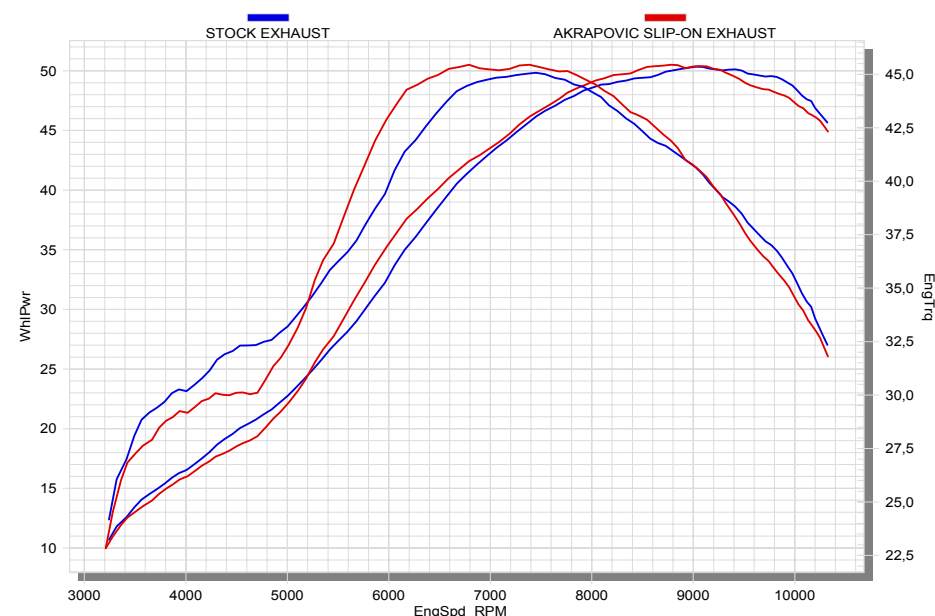
PERFORMANCE			
	stock	AKRAPOVIC	max. increased power
max. rear wheel power HP / rpm <small>(measured on SuperFlow Cycle Dyn)</small>	50.3/9100	50.4/8780	3/5960

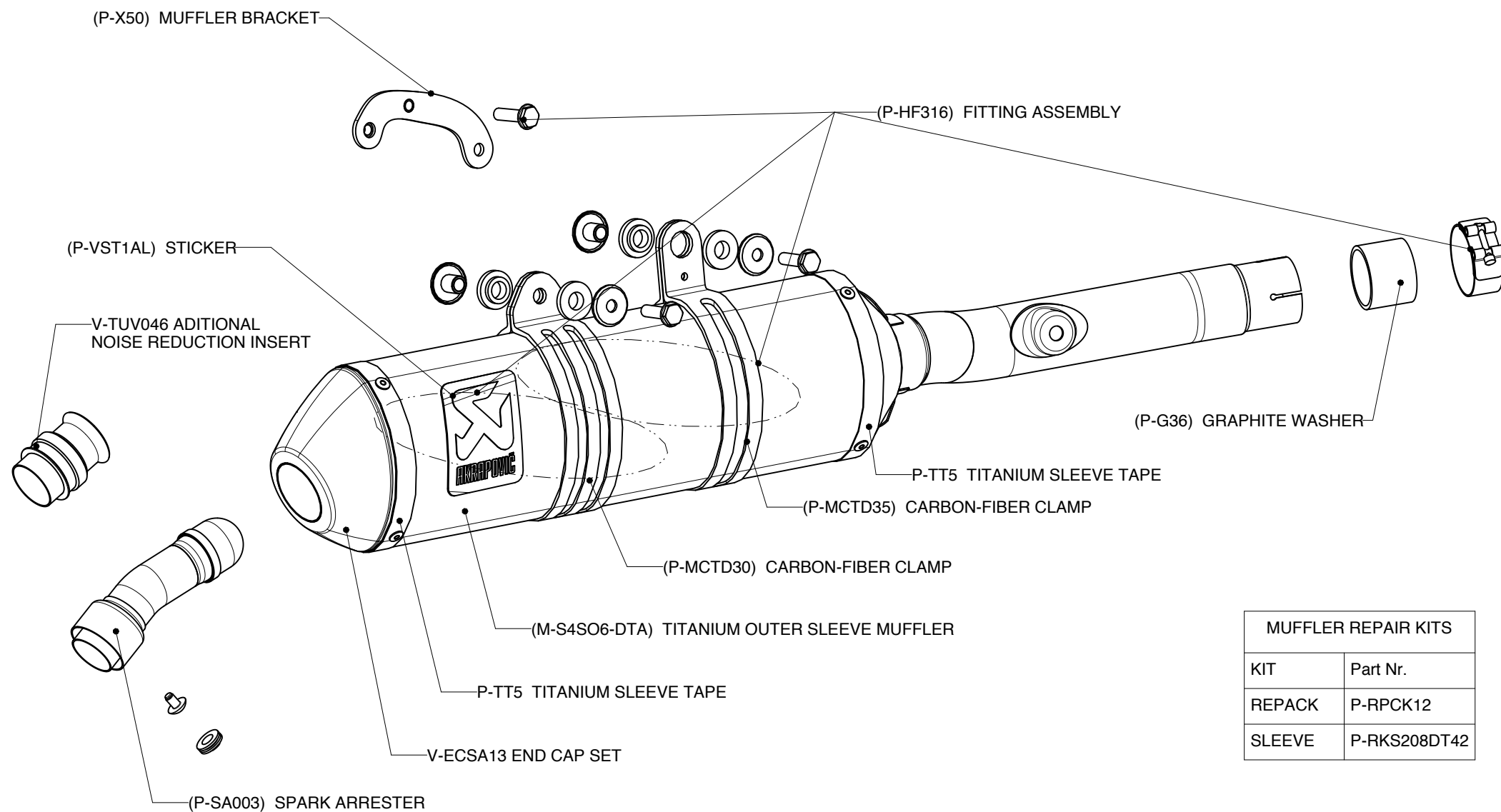
ADDITIONAL DATA					
weight comparison (kg)	stock	AKRAPOVIC		difference	
	3.4	SS link pipe	TITANIUM link pipe	stock - S.S.	stock - TITANIUM
		2.22	-	1.18	-

noise measurements	stock	AKRAPOVIC
	115db 2mMAX	115db 2mMAX
legal for street use	NO	

Technical specifications of Akrapovic exhaust systems and related products subject to change without notice.

Product code: S-S4SO6-DTA





MUFFLER REPAIR KITS	
KIT	Part Nr.
REPACK	P-RPCK12
SLEEVE	P-RKS208DT42