



SUZUKI GSX-R 1300 HAYABUSA

(2008 - 2010)

www.akrapovic.com

SLIP-ON OPEN & STREET LEGAL EXHAUST SYSTEM

The Akrapovic Slip-On system is designed for riders who are looking for a base-level exhaust system modification. It is an excellent combination of performance, production quality and affordability. The HEXAGONAL muffler design complements the sports styling of the Suzuki. The SLIP-ON is available in open and also in street legal version.

PERFORMANCE

Measurements of the Akrapovic SLIP-ON open system on the SUZUKI GSX-R HAYABUSA (without muffler insert):

Power & Torque: the Akrapovic Slip-On system delivers increase engine responsiveness. The increase gradually expands from the 5500 rpm. From there to the top of the range the increase remains at the same level. At 9680 rpm we measured 182.9 HP, with a max. increased power of 4.2 HP at 10190 rpm.

CONFIGURATION

The Akrapovic Slip-On system for the Suzuki is composed of a cylindrical stainless steel link pipes and a pair of HEXAGONAL mufflers. The link pipes are attached to the stock header assembly with sleeve joints and a metal clamps. The outer sleeves of the HEXAGONAL mufflers are available in titanium or carbon fiber. The inlet cap and perforated inner sleeve are made of titanium, while the outlet cap is made of carbon fiber. The system is attached to the frame using an Akrapovic carbon fiber clamps and a stainless steel bracket.

	PERFORMANCE		
	stock	AKRAPOVIC	max. increased power
max. rear wheel power HP / rpm (measured on Dynojet ATV)	179.5 / 9300	182.9 / 9680	4.2 / 10190

	CONFIGURATION		
	header tubes	collector	link pipe
material	-	-	STAINLESS STEEL
tube shape	-	-	CYLINDRICAL

interference crossover tubes	-	lambda sensor	-	
header tube inner sleeves	-	header tube flanges	-	
header tubes - collector connection	-	collector / header tube - link pipe connection	SLEEVE JOINT + SILICON SHIELDED SPRING + METAL CLAMP (slip-on) / SLEEVE JOINT + SILICON SHIELDED SPRING (megaphone)	
link pipe - muffler connection	WELDED	muffler inlet cap /outlet cap	STAINLESS STEEL / CARBON-FIBER	
muffler metal interior	STAINLESS STEEL	muffler outer sleeve	TITANIUM	
muffler clamp	CARBON-FIBER	muffler bracket	-	
muffler insert	EU	YES	heat shield	-
	US	-	catalytic converter	-

	ADDITIONAL DATA				
	stock	AKRAPOVIC		difference	
		S.S. link pipe	TITANIUM link pipe	stock - S.S.	stock - titanium
weight comparison (kg)	14.5	4.73	-	9.77	-

noise measurements (dB / rpm)	stock	AKRAPOVIC
	91 / 4750	95.5 / 4750 / 91 / 4750
possibility of periodic service without removing A.E.S.	oil	oil filter
	YES	YES
legal for street use	NO / YES	

Technical specifications of Akrapovic exhaust systems and related products subject to change without notice.



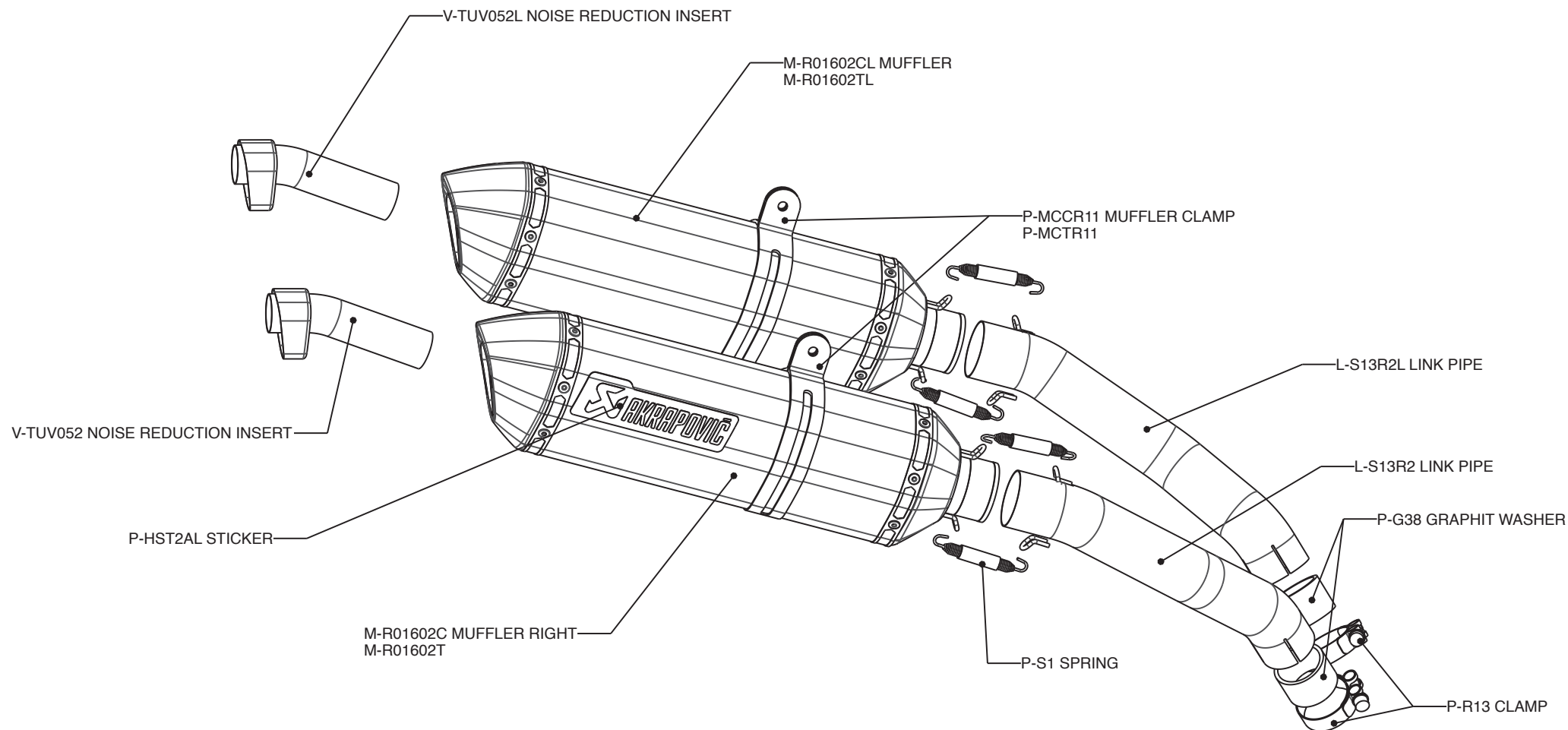
Product code: (109567) S-S13SO2-HRC, (109566) S-S13SO2-HRT street legal
(109556) S-S13SO2-RC, (109555) S-S13SO2-RT open

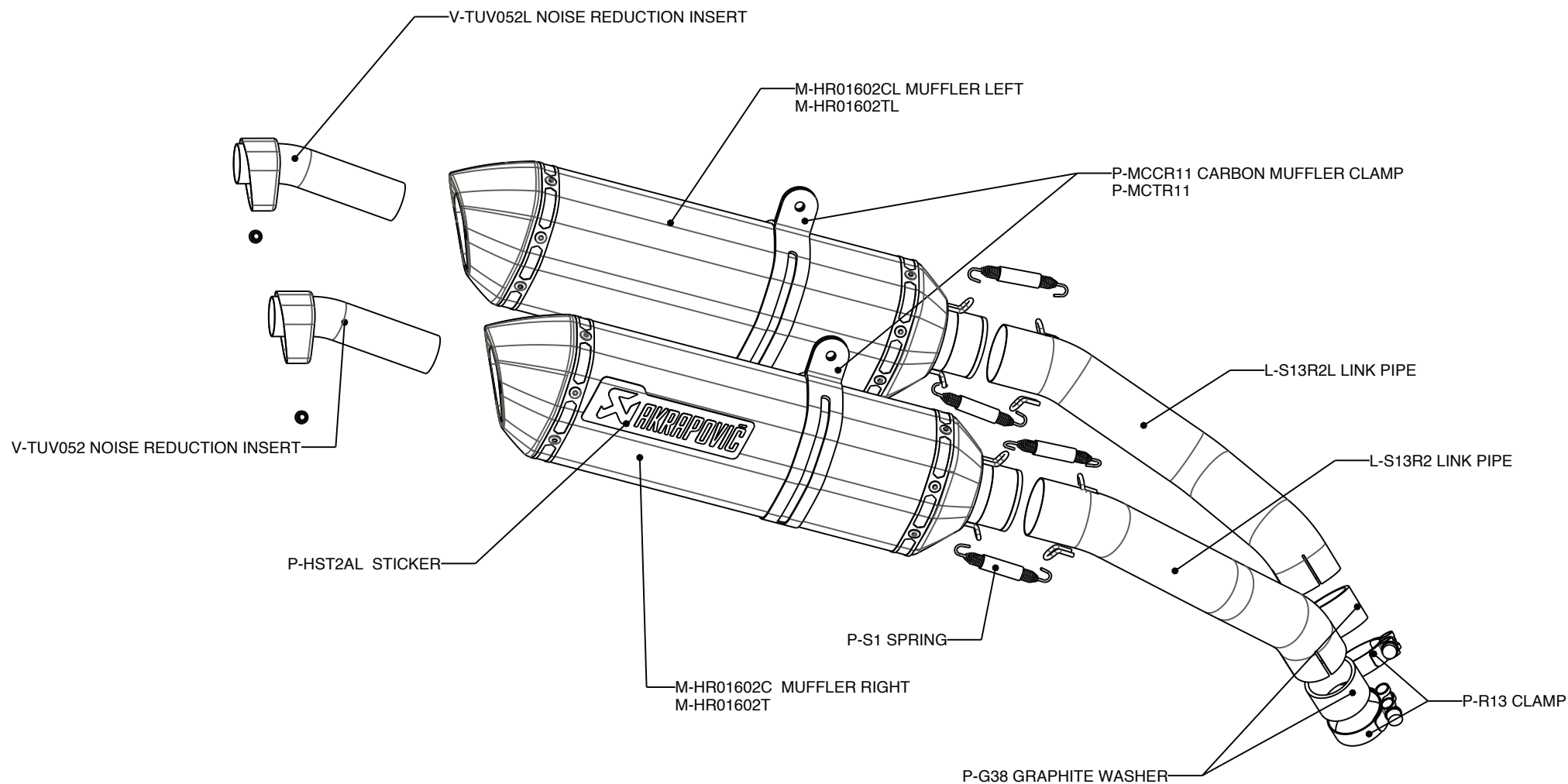


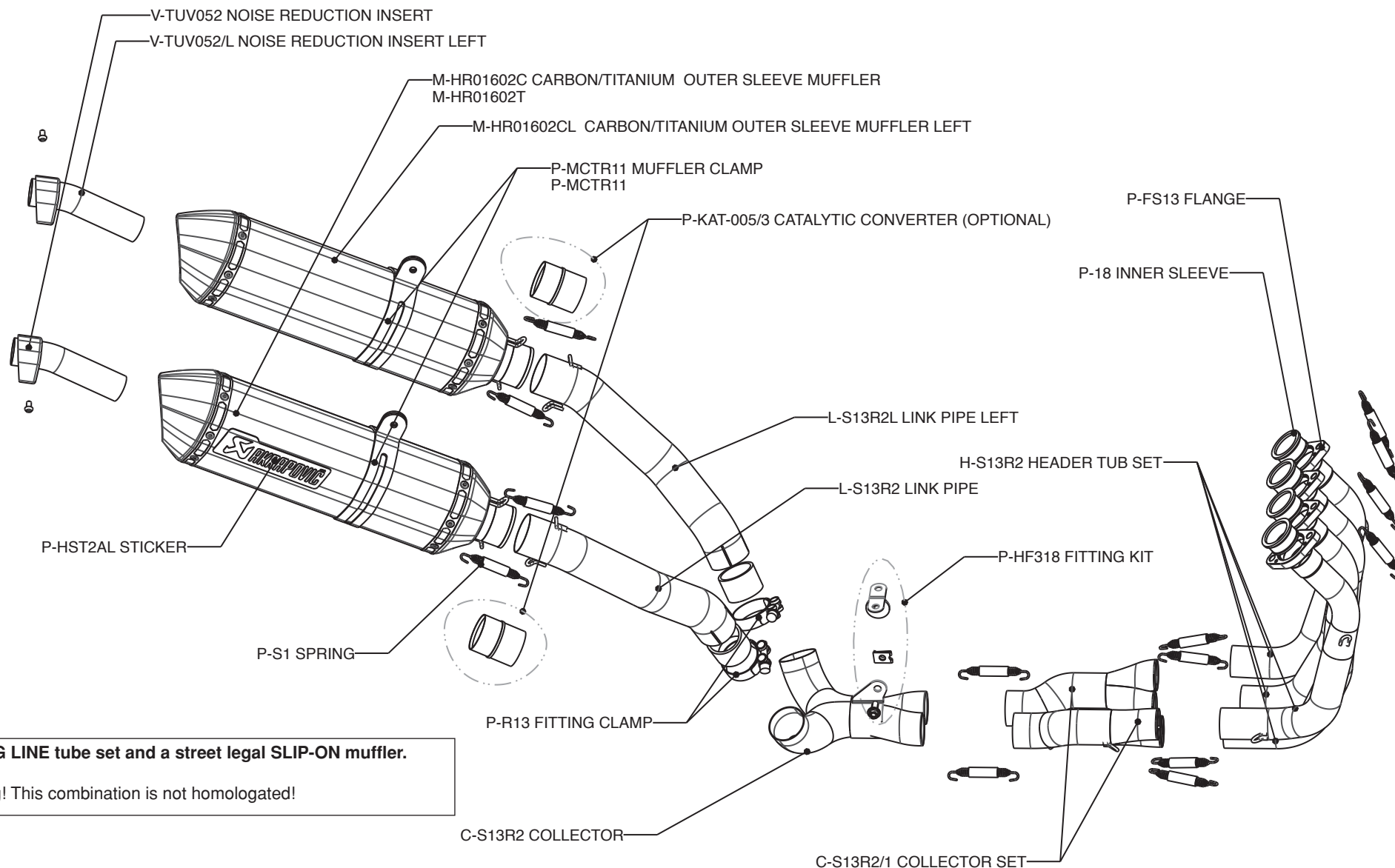
Product code: (109567) S-S13SO2-HRC, (109566) S-S13SO2-HRT street legal
(109556) S-S13SO2-RC, (109555) S-S13SO2-RT open



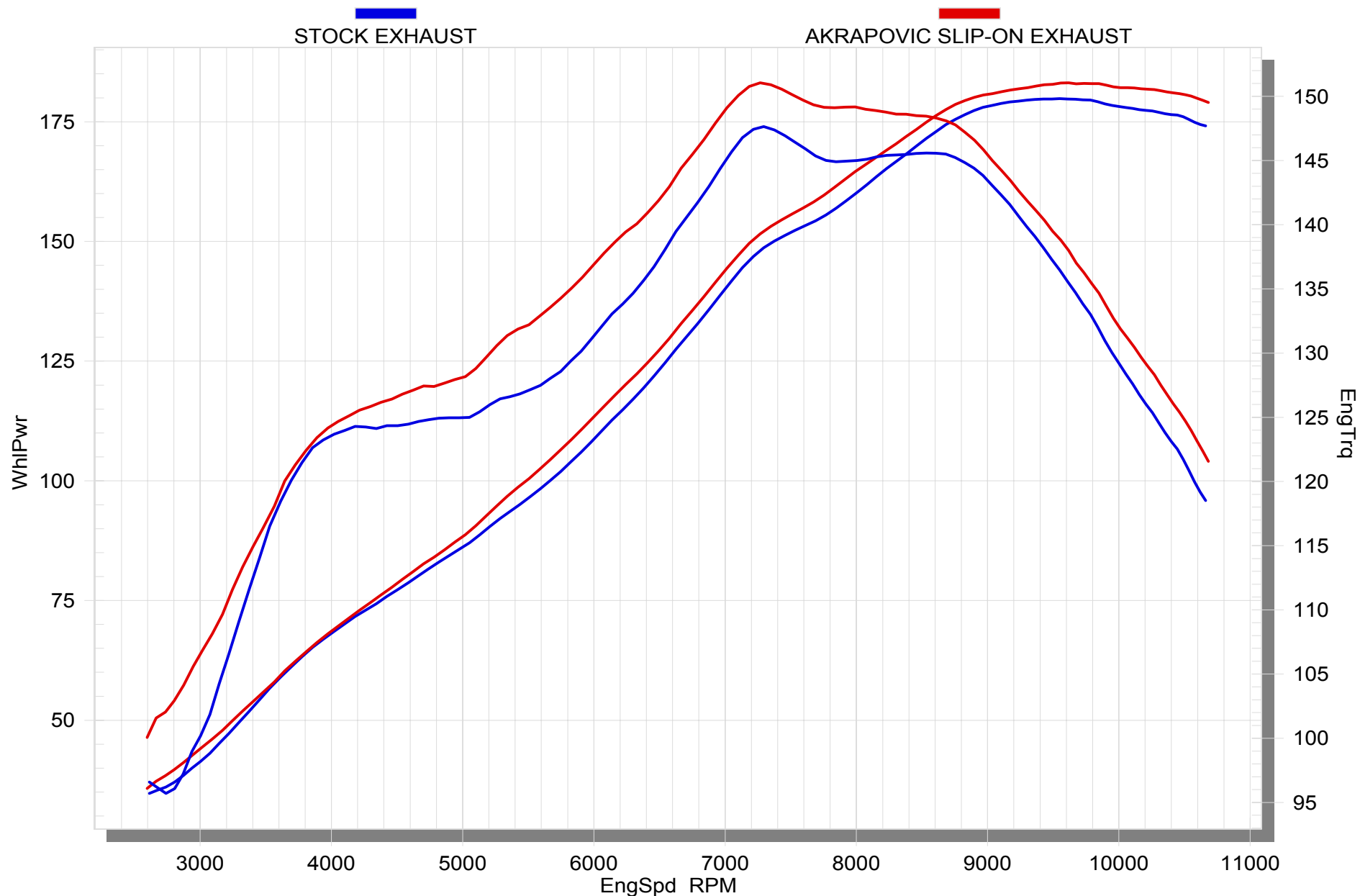
Product code: (109567) S-S13SO2-HRC, (109566) S-S13SO2-HRT street legal
(109556) S-S13SO2-RC, (109555) S-S13SO2-RT open







RACING LINE tube set and a street legal SLIP-ON muffler.
 Warning! This combination is not homologated!



Product code: (109567) S-S13SO2-HRC, (109566) S-S13SO2-HRT street legal
 (109556) S-S13SO2-RC, (109555) S-S13SO2-RT open

