



Slip-On Line (Carbon)

Product code: **S-S10S08-HRC**

MSRP ex. VAT:

The Akrapovič Slip-On system is designed for riders who are looking for a base-level exhaust system modification. It is an excellent combination of performance, production quality and affordability.

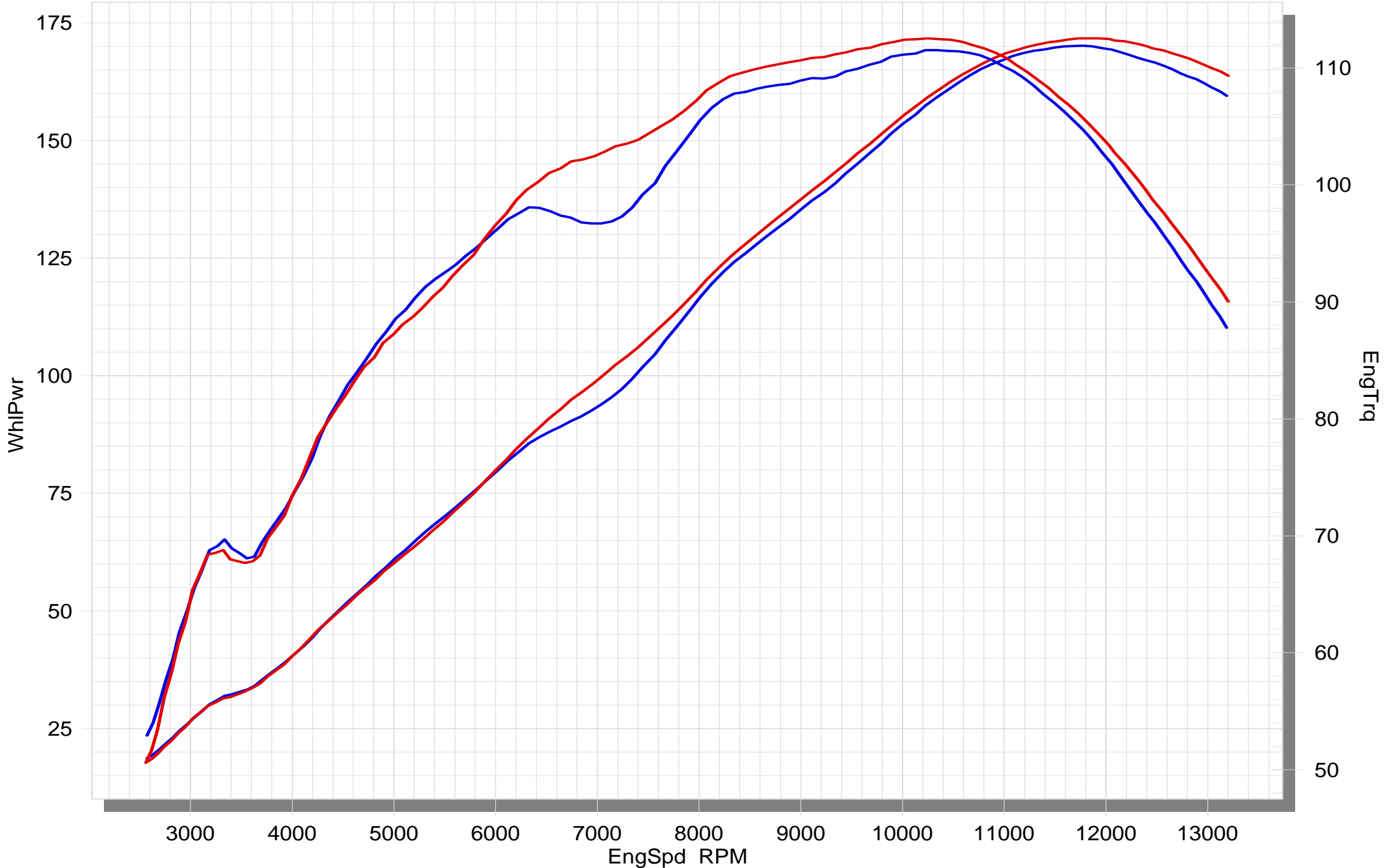
TECHNICAL DATA	UNIT	STOCK	AKRAPOVIČ	MAX. GAIN
maximum power	kW	125.2 at 11750 rpm	126.3 at 11750 rpm	+ 4.6 at 7200 rpm
	HP (m)	170.2 at 11750 rpm	171.7 at 11750 rpm	+ 6.2 at 7200 rpm
	HP (i)	167.9 at 11750 rpm	169.4 at 11750 rpm	+ 6.1 at 7200 rpm
maximum torque	Nm	111.5 at 10200 rpm	112.5 at 10250 rpm	+ 6.1 at 7050 rpm
	lb-ft	82.2 at 10200 rpm	83 at 10250 rpm	+ 4.5 at 7050 rpm
weight	kg	2.5	1.5	- 1
	lb	5.5	5.5	- 2.2
static noise level	dB	96	96	0
	rpm	5750	5750	0

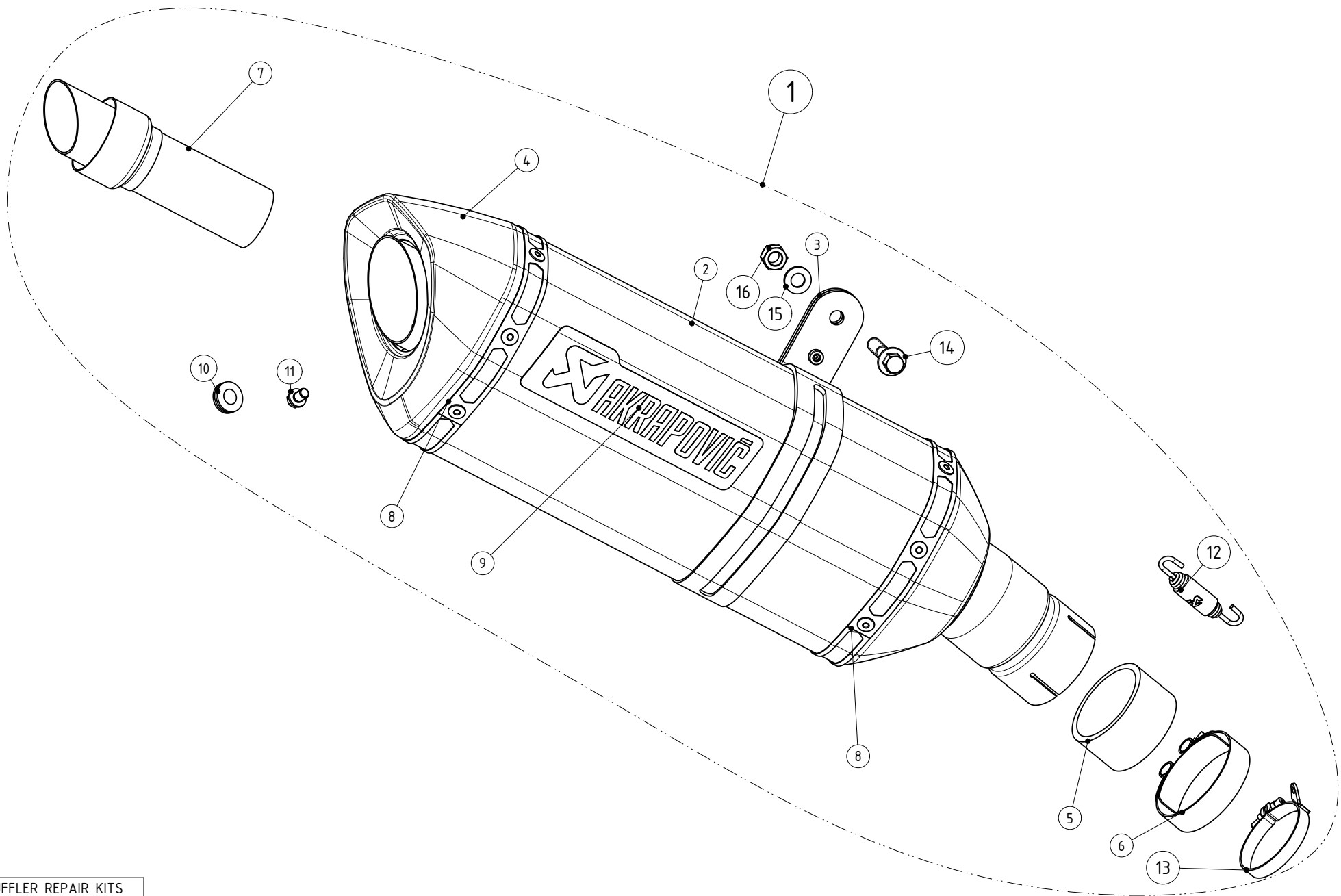
measured with: Suzuki GSX-R 1000 2012

SUZUKI GSX-R 1000

STOCK

SLIP-ON





MUFFLER REPAIR KITS

REPACK	17
CA SLEEVE	18
Ti SLEEVE	19

No.	SALES CODE	DESCRIPTION	QTY.
1	S-S10SO8-HRC	S SU GSX-R1 HSO 12 MTCC	1
2	M-HR03205C	M HR032 T58R1 C300/57 C59R7	1
3	P-MCCR26	MC CA R CA 25/8,5/108/32 CR26X	1
4	V-EC174	SRO zad. CA R7 CA za SU GSX-R1 SO,E,R 12	1
5	P-G51	tesnilo grafit D56/D48,4×30 G51	1
6	P-R20	objemka SS D59×16 M6×30	1
7	V-TUV081	vložek ses. HOM SS D38/78/53/59°	1
8	P-TT20	trak zak. TI L=414,5 S=16 R CA TT20	2
9	P-HST2AL	nalepka Akrap. HOR 150 AL	1
10	P-GUV004	gumi vložek D18 nased-D13 logotip	1
11	P-FB28	vijak imb. leca SS M6×8 ISO7380 FB28	1
12	P-S2	vzmet SS D10×60 Tip1 z zašč. gumo S2	1
13	P-R2HL	objemka s kavljem SS D47×8 L	1
14	P-FB23	vijak šest. prirob FE M8×45 SC	1
15	P-DR4	podložka SS D8,5/D24×2 ISO7093	1
16	P-FN4	matica šestr. prirob FE M8 SC DIN 6923	1
17	P-RPCK48	MMRCK tip 48	1
18	P-RKS328RC30	MRRSK tip 328 CR30 C300R	1



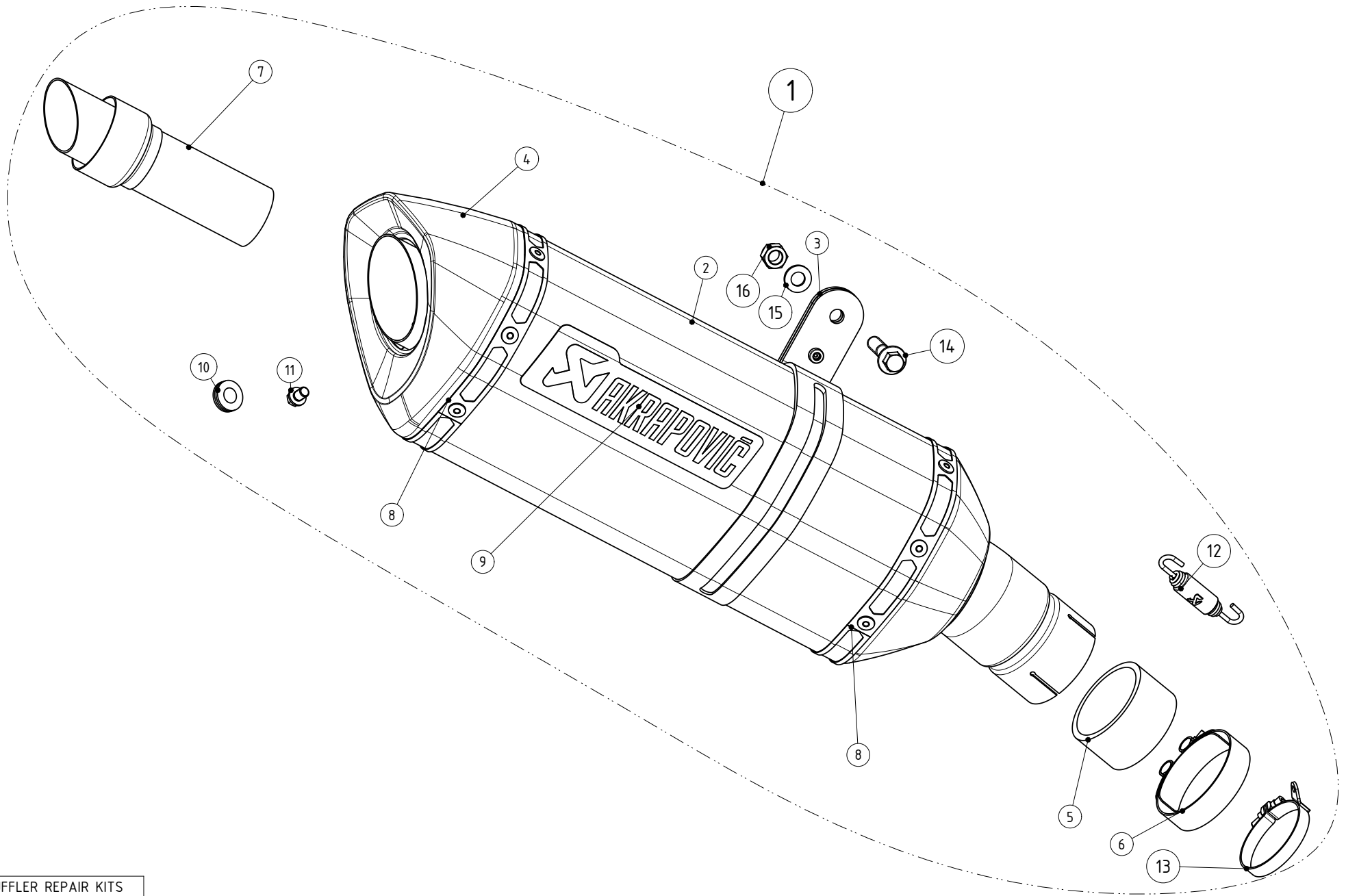
Slip-On Line (Titanium)

Product code: **S-S10SO8-HRT**
MSRP ex. VAT:

The Akrapovič Slip-On system is designed for riders who are looking for a base-level exhaust system modification. It is an excellent combination of performance, production quality and affordability.

TECHNICAL DATA	UNIT	STOCK	AKRAPOVIČ	MAX. GAIN
maximum power	kW	125.2 at 11750 rpm	126.3 at 11750 rpm	+ 4.6 at 7200 rpm
	HP (m)	170.2 at 11750 rpm	171.7 at 11750 rpm	+ 6.2 at 7200 rpm
	HP (i)	167.9 at 11750 rpm	169.4 at 11750 rpm	+ 6.1 at 7200 rpm
maximum torque	Nm	111.5 at 10200 rpm	112.5 at 10250 rpm	+ 6.1 at 7050 rpm
	lb-ft	82.2 at 10200 rpm	83 at 10250 rpm	+ 4.5 at 7050 rpm
weight	kg	2.5	1.5	- 1
	lb	5.5	5.5	- 2.2
static noise level	dB	96	96	0
	rpm	5750	5750	0

measured with: Suzuki GSX-R 1000 2012



MUFFLER REPAIR KITS	
REPACK	17
CA SLEEVE	18
Ti SLEEVE	19

No.	SALES CODE	DESCRIPTION	QTY.
1	S-S10SO8-HRT	S SU GSX-R1 HSO 12 MTTC	1
2	M-HR03205T	M HR032 T58R1 T300/57 C59R7	1
3	P-MCTR26	MC CA R TI 25/8,5/108/32 TR26X	1
4	V-EC175	SRO zad. CA R7 TI za SU GSX-R1 SO,E,R 12	1
5	P-G51	tesnilo grafit D56/D48,4×30 G51	1
6	P-R20	objemka SS D59×16 M6×30	1
7	V-TUV081	vložek ses. HOM SS D38/78/53/59°	1
8	P-TT13	trak zak. TI L=410 S=16 R TI TT13	2
9	P-HST2AL	nalepka Akrap. HOR 150 AL	1
10	P-GUV004	gumi vložek D18 nased-D13 logotip	1
11	P-FB28	vijak imb. leca SS M6×8 ISO7380 FB28	1
12	P-S2	vzmet SS D10×60 Tip1 z zašč. gumo S2	1
13	P-R2HL	objemka s kavljem SS D47×8 L	1
14	P-FB23	vijak šest. prirob FE M8×45 SC	1
15	P-DR4	podložka SS D8,5/D24×2 ISO7093	1
16	P-FN4	matica šestr. prirob FE M8 SC DIN 6923	1
17	P-RPCK48	MMRCK tip 48	1
18	P-RKS327RT30	MRRSK tip 327 TR30 T300R	1