



# SUZUKI GSX-R 1000 (2009)

RACING & EVOLUTION SINGLE EXHAUST SYSTEM

Akrapovic Racing and Evolution systems are designed for riders who demand maximum performance from their motorcycle. Both systems are significantly lighter if compared to stock exhaust system and feature exceptional production quality, hi-tech materials and of course increased engine performance combined with pure racing sound output. The Akrapovic Racing and Evolution systems were developed to complement the racing character of the GSX-R. Evolution system is made entirely of our exclusive high grade titanium while Racing system uses stainless steel header tubes and link pipe. We offer titanium or carbon-fiber mufflers for each combination. Both systems are not street legal and are designed for racing purpose only.

**PERFORMANCE**

Measurements of the Akrapovic EVOLUTION system with single muffler on the SUZUKI GSX-R1000 (without muffler insert):

Power & Torque: The power increase with the Akrapovic system is substantial, and can be seen from 4800 rpm right to the top of the range. At 12500 rpm we measured 177.9 HP, with max. increased power of 10.8 HP at 12400 rpm. The system's effect on the torque and power curve is huge and strongest in midrange rpm. The main increase starts at around 4500 rpm and continues right into the over-rev range. All this will help you shave lap times and result in much smoother ride.

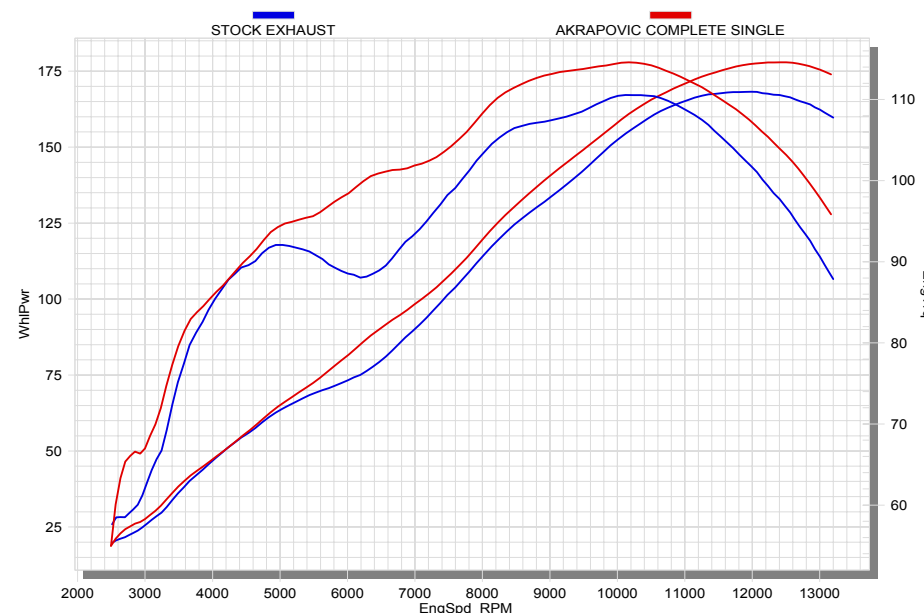


PERFORMANCE			
	stock	AKRAPOVIC	max. increased power
max. rear wheel power HP / rpm (measured on Dynojet ATV)	168.1 / 11900	177.9 / 12500	10.8 / 12400

ADDITIONAL DATA					
weight comparison (kg)	stock	AKRAPOVIC		difference	
	12.7	RACING	EVOLUTION	stock - RACING	stock - EVOLUTION
		5.3	3.92	7.4	8.78

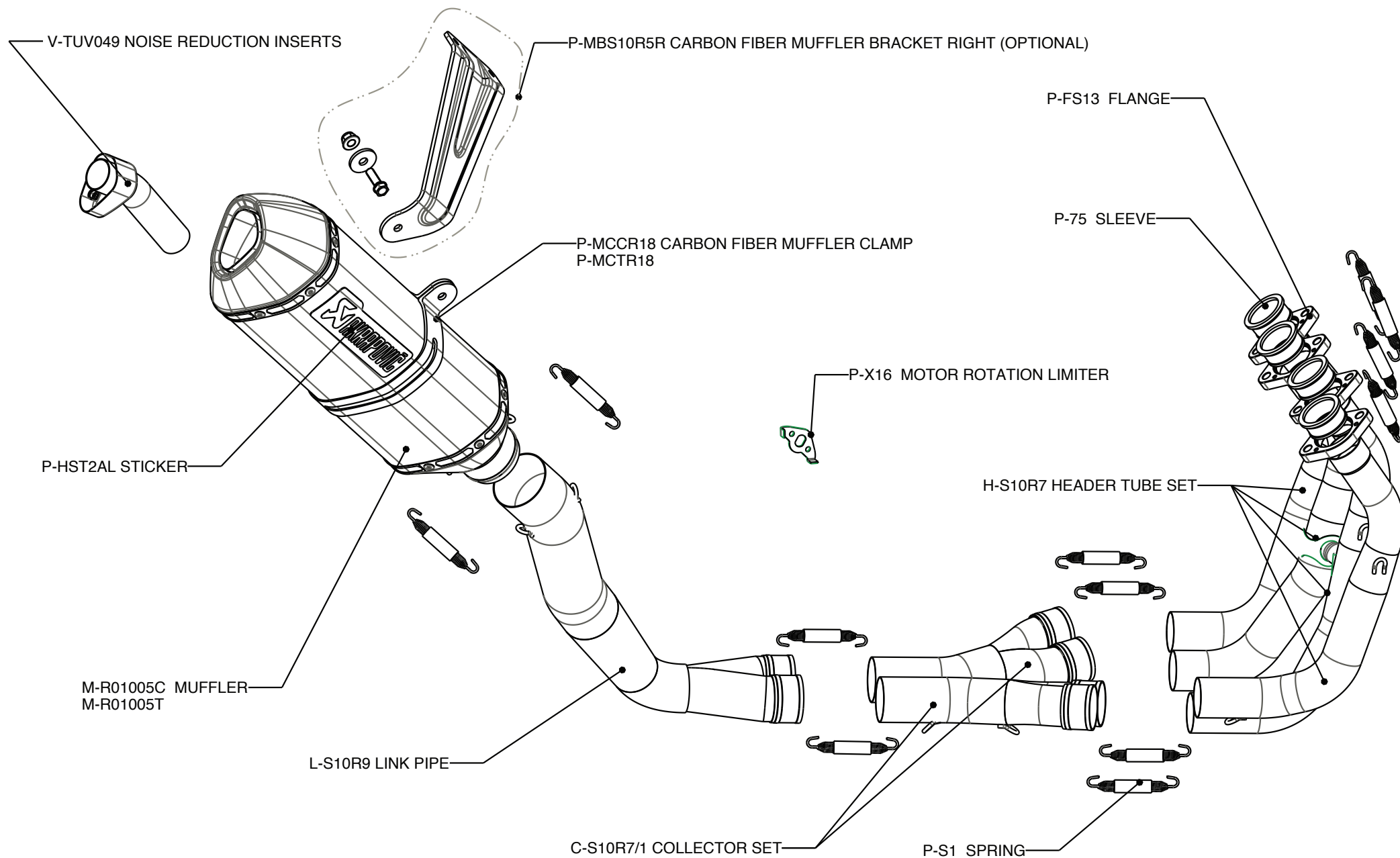
noise measurements (dB / rpm)	stock	AKRAPOVIC
		96 / 6000
legal for street use	NO	

Technical specifications of Akrapovic exhaust systems and related products subject to change without notice.



Product code: S-S10R9-RC (110490), S-S10R9-RT (110489) racing  
S-S10E1-RC (110492), S-S10E1-RT (110491) evolution





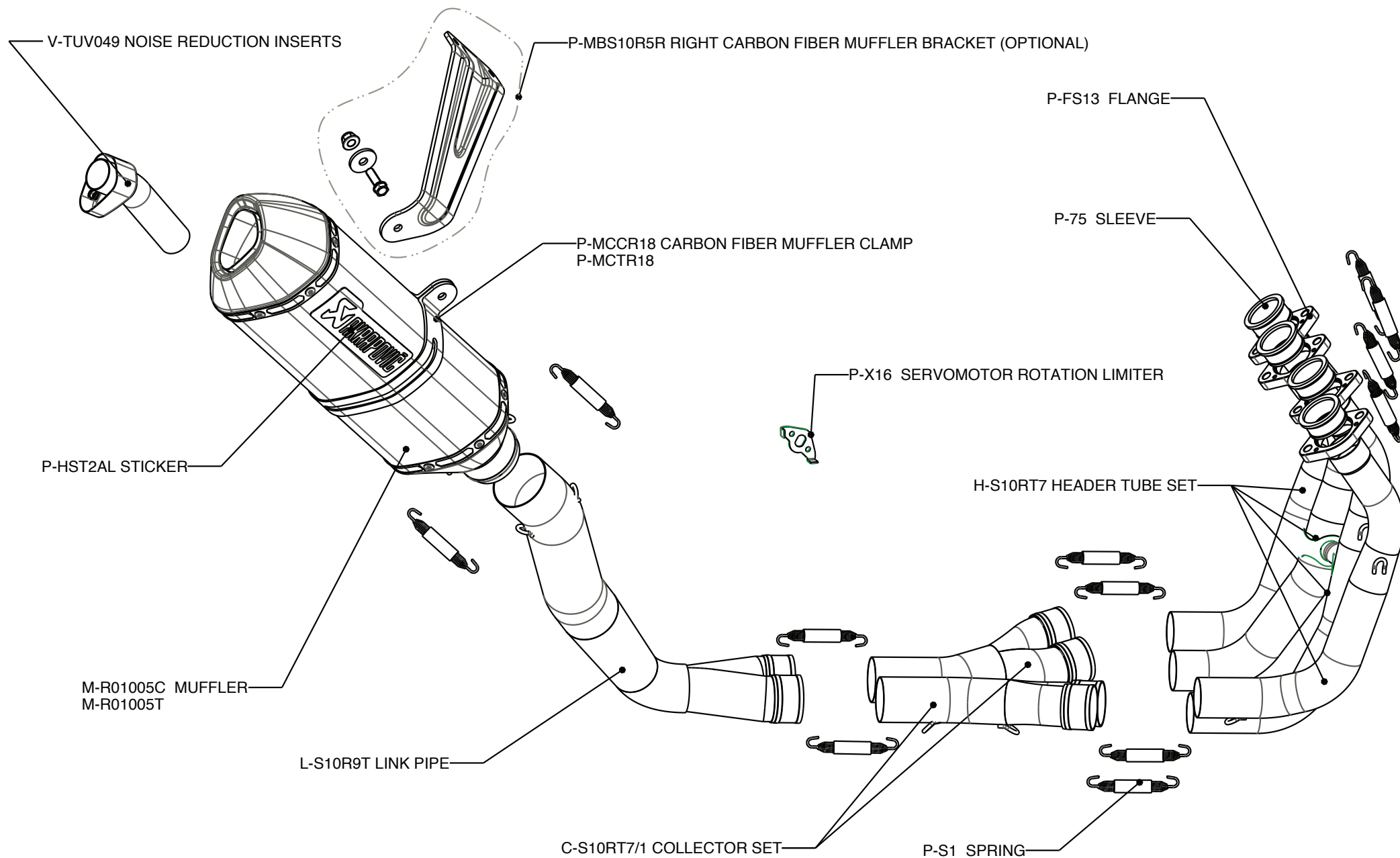
Product code: S-S10R9-RC (110490), S-S10R9-RT (110489) racing



www.akrapovic.com

Akrapović d.d. 2009 all rights reserved

23.04.2009



Product code: S-S10E1-RC (110492), S-S10E1-RT (110491) evolution



www.akrapovic.com

Akrapović d.d. 2009 all rights reserved

23.04.2009