



Suzuki GSX-R 1000 (2005 - 2006)

Slip-On Exhaust System

Akrapovic Slip-On Exhaust System

for the Suzuki GSX-R 1000 (2005 - 2006)

Despite the fact that the Akrapovic SLIP-ON is a partial system and that it is a first-level exhaust system tuning component, it provides a major performance improvement for the Suzuki. The system is designed for riders who are looking for a combination of performance, quality, simple installation and affordability. Racing-oriented riders should check out our Racing and Evolution complete systems.

NOTE: Slip-On system with the HEXAGONAL muffler is also available for the 2005-2006 Suzuki GSX-R 1000. Performance is identical to the oval muffler.

PERFORMANCE

Measurements of the Akrapovic SLIP-ON system on the SUZUKI GSX-R 1000 (without noise damper):

Power & Torque: the Akrapovic Slip-On works very well with the Suzuki engine. The power curve is linear, and from the added power from 4000 rpm on, it runs parallel to the stock curve with no drop-outs or fluctuations. Max. power of 166.7 HP is reached at 11700 rpm. The torque curve reflects the same compatibility with the operation of the engine. The increase can be seen throughout the entire rpm range, so you get bags of torque to go along with the loads of power.

CONFIGURATION

The Akrapovic SLIP-ON system is composed of a conical stainless steel or titanium link pipe and muffler. The link pipe is attached to the stock header assembly and the muffler with sleeve joints. The joint with the header assembly is secured with a metal clamp and a spring, and two springs to attach the link pipe to the muffler. The muffler is attached to the frame with an Akrapovic carbon-fiber clamp. The inlet and outlet caps and inner perforation of the muffler are made entirely of titanium, and the outer sleeve is available in either titanium or carbon-fiber.

| | PERFORMANCE | | |
|--|---------------|---------------|----------------------|
| | stock | AKRAPOVIC | max. increased power |
| max. rear wheel power HP / rpm (measured on Dynojet ATV) | 162.6 / 11400 | 166.7 / 11700 | 6.9 / 12200 |

| | CONFIGURATION | | |
|------------|---------------|-----------|-----------------------------|
| | header tubes | collector | link pipe |
| material | - | - | STAINLESS STEEL TITANIUM |
| tube shape | - | - | CONICAL |

| | | | | |
|-------------------------------------|---|--|--|---|
| interference crossover tubes | - | lambda sensor | - | |
| header tube inner sleeves | - | header tube flanges | - | |
| header tubes - collector connection | - | collector / header tube - link pipe connection | SLEEVE JOINT + METAL CLAMP+ SILICON SHIELDED SPRINGS | |
| link pipe - muffler connection | SLEEVE JOINT + SILICON SHIELDED SPRINGS | muffler inlet cap / outlet cap | TITANIUM / TITANIUM | |
| muffler metal interior | TITANIUM | muffler outer sleeve | TITANIUM / CARBON-FIBER | |
| muffler clamp | CARBON-FIBER ROAD | muffler bracket | - | |
| muffler insert | EU | - | heat shield | - |
| | US | - | catalytic converter | - |

| | ADDITIONAL DATA | | | | |
|---|-----------------|----------------|-------------------------------------|--------------|------------------|
| | stock | AKRAPOVIC | | difference | |
| weight comparison (kg) | 4.88 | S.S. link pipe | TITANIUM link pipe | stock - S.S. | stock - titanium |
| | | 2.19 | 2.07 | 2.69 | 2.81 |
| noise measurements (dB / rpm) | stock | | AKRAPOVIC | | |
| | 98.6 / 5500 | | 102.2 / 5500 (without noise damper) | | |
| possibility of periodic service without removing A.E.S. | oil | | oil filter | | |
| | YES | | YES | | |
| legal for street use | NO | | | | |

Technical specifications of Akrapovic exhaust systems and related products subject to change without notice.

Product code: 105455 (S-S10SO2-ZC), 105454 (S-S10SO2-ZT) stainless steel link pipe, hexagonal muffler
105453 (S-S10SO2T-ZC), 105452 (S-S10SO2T-ZT) titanium link pipe, hexagonal muffler
104080 (S-S10SO2-C), 104079 (S-S10SO2-T) stainless steel link pipe
104239 (S-S10SO2T-C) 104240 (S-S10SO2T-T) titanium link pipe

Akrapovic Slip-On Exhaust System for the Suzuki GSX-R 1000 (2005 - 2006)



HEXAGONAL
SHAPED MUFFLER



Akrapovic Exhaust System Technology copyright 2005, all rights reserved

Road
Program



ANTI-SEIZING GREASE



ANTI-SEIZE LEAD-FREE
COPPER PASTE



CARBON-FIBER
MUFFLER CLAMP

Product code: 105455 (S-S10SO2-ZC), 105454 (S-S10SO2-ZT) stainless steel link pipe, hexagonal muffler
105453 (S-S10SO2T-ZC), 105452 (S-S10SO2T-ZT) titanium link pipe, hexagonal muffler

Akrapovic Slip-On Exhaust System for the Suzuki GSX-R 1000 (2005 - 2006)



Akrapovic Exhaust System Technology copyright 2005, all rights reserved

Road Program



ANTI-SEIZING GREASE



ANTI-SEIZE LEAD-FREE
COPPER PASTE



CARBON-FIBER
MUFFLER CLAMP

Product code: 104080 (S-S10SO2-C), 104079 (S-S10SO2-T) stainless steel link pipe
104239 (S-S10SO2T-C) 104240 (S-S10SO2T-T) titanium link pipe

Akrapovic Slip-On Exhaust System for the Suzuki GSX-R 1000 (2005 - 2006)



Akrapovic Exhaust System Technology, copyright 2005, all rights reserved

Road
Program

Product code: 104080 (S-S10SO2-C), 104079 (S-S10SO2-T) stainless steel link pipe
104239 (S-S10SO2T-C) 104240 (S-S10SO2T-T) titanium link pipe

Akrapovic Slip-On Exhaust System for the Suzuki GSX-R 1000 (2005 - 2006)

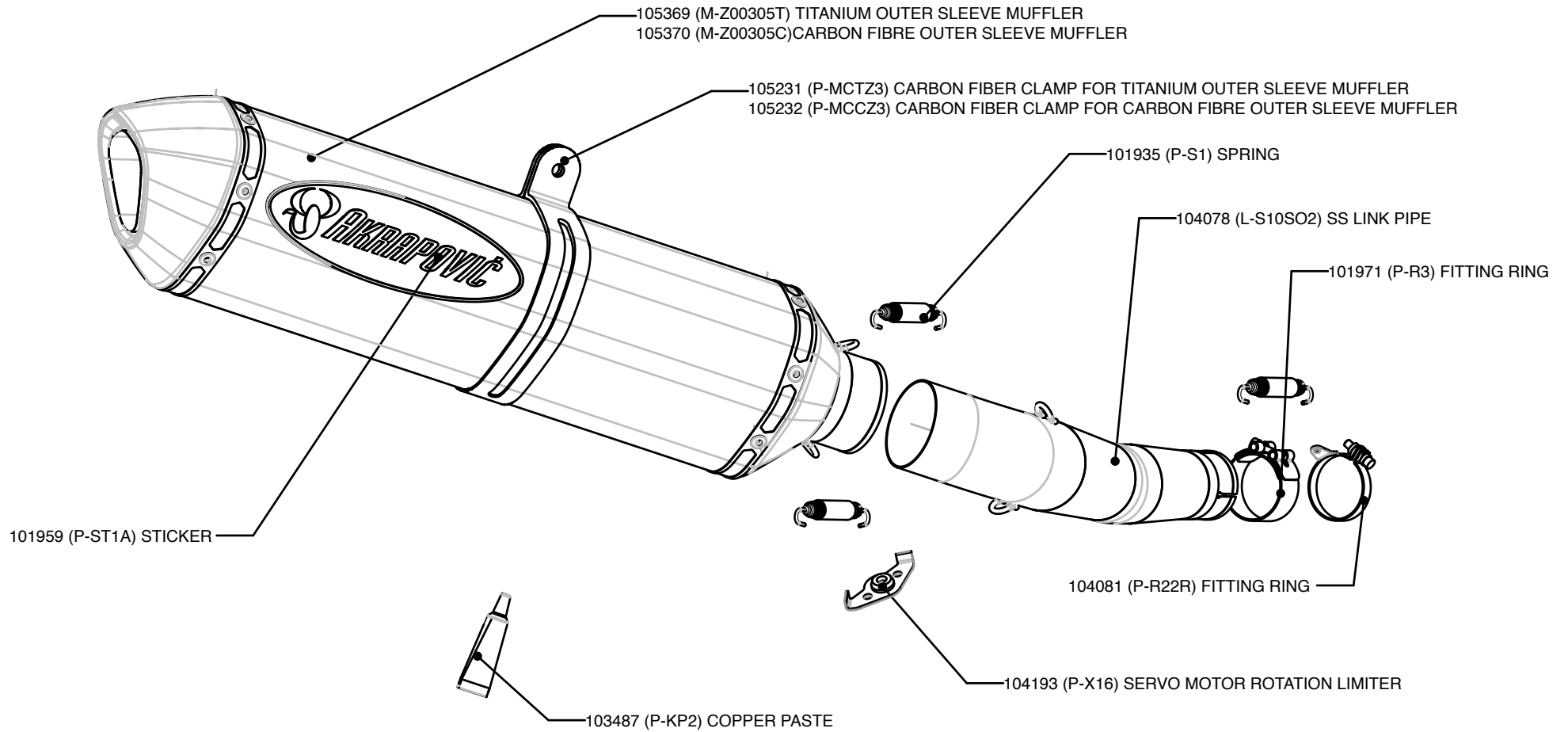


Akrapovic Exhaust System Technology copyright 2005, all rights reserved

Road Program

Product code: 104080 (S-S10SO2-C), 104079 (S-S10SO2-T) stainless steel link pipe
104239 (S-S10SO2T-C) 104240 (S-S10SO2T-T) titanium link pipe

Akrapovic Slip-On Exhaust System for the Suzuki GSX-R 1000 (2005 - 2006)

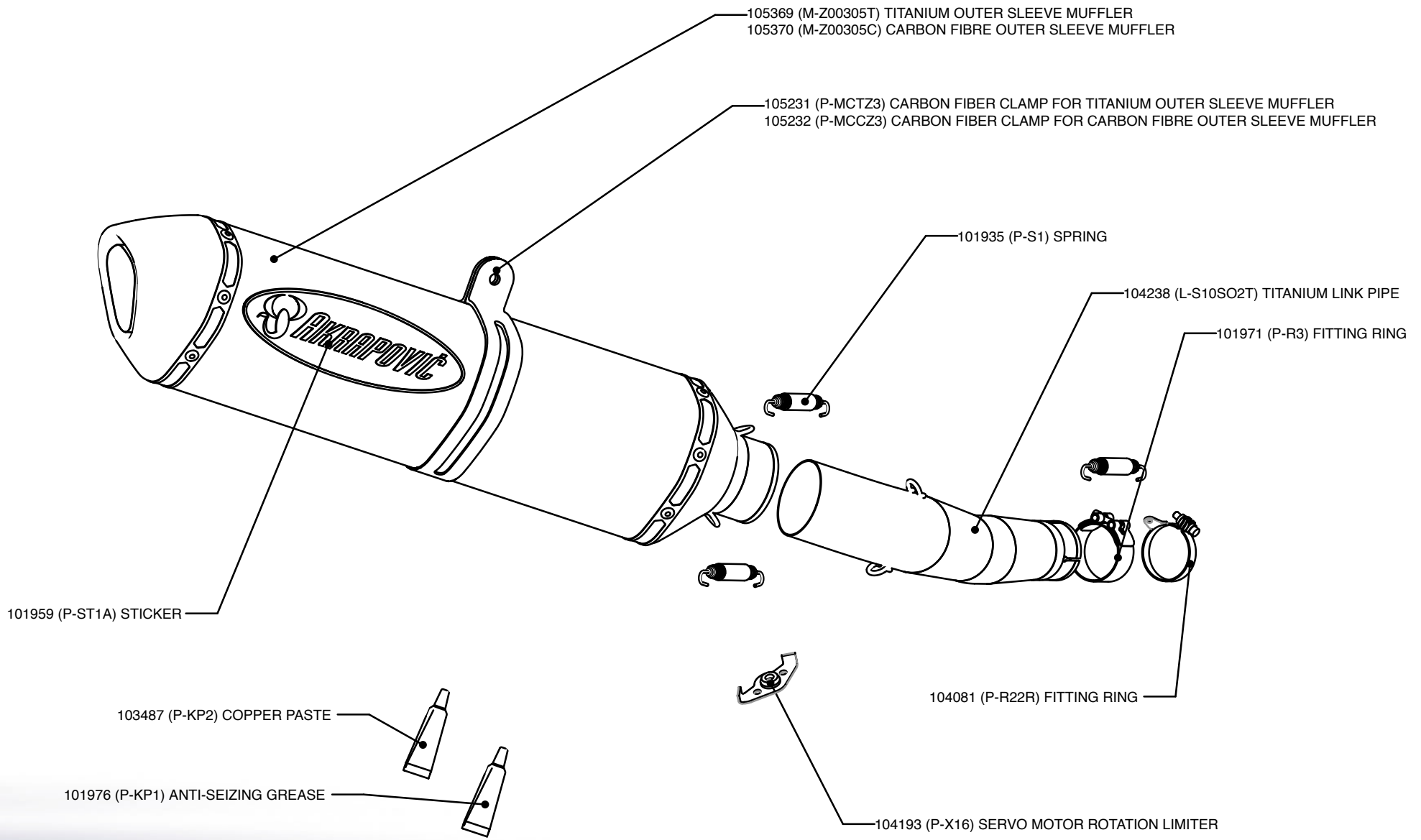


Akrapovic Exhaust System Technology copyright 2005, all rights reserved

Road Program

Product code: 105455 (S-S10SO2-ZC), 105454 (S-S10SO2-ZT) stainless steel link pipe, hexagonal muffler

Akrapovic Slip-On Exhaust System for the Suzuki GSX-R 1000 (2005 - 2006)



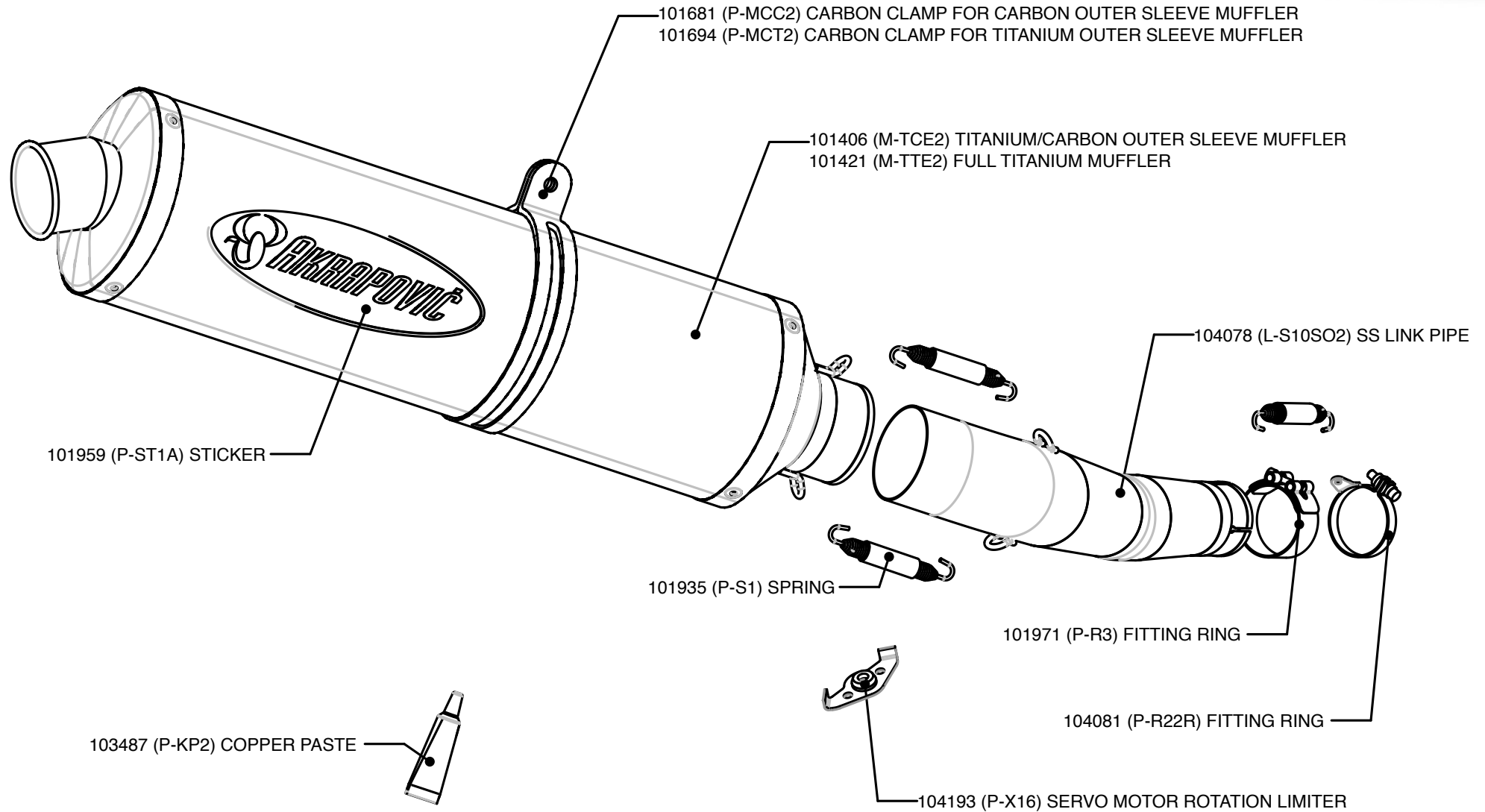
Road Program

Akrapovic Exhaust System Technology copyright 2005, all rights reserved

Product code: 105453 (S-S10SO2T-ZC), 105452 (S-S10SO2T-ZT) titanium link pipe, hexagonal muffler



Akrapovic Slip-On Exhaust System for the Suzuki GSX-R 1000 (2005 - 2006)



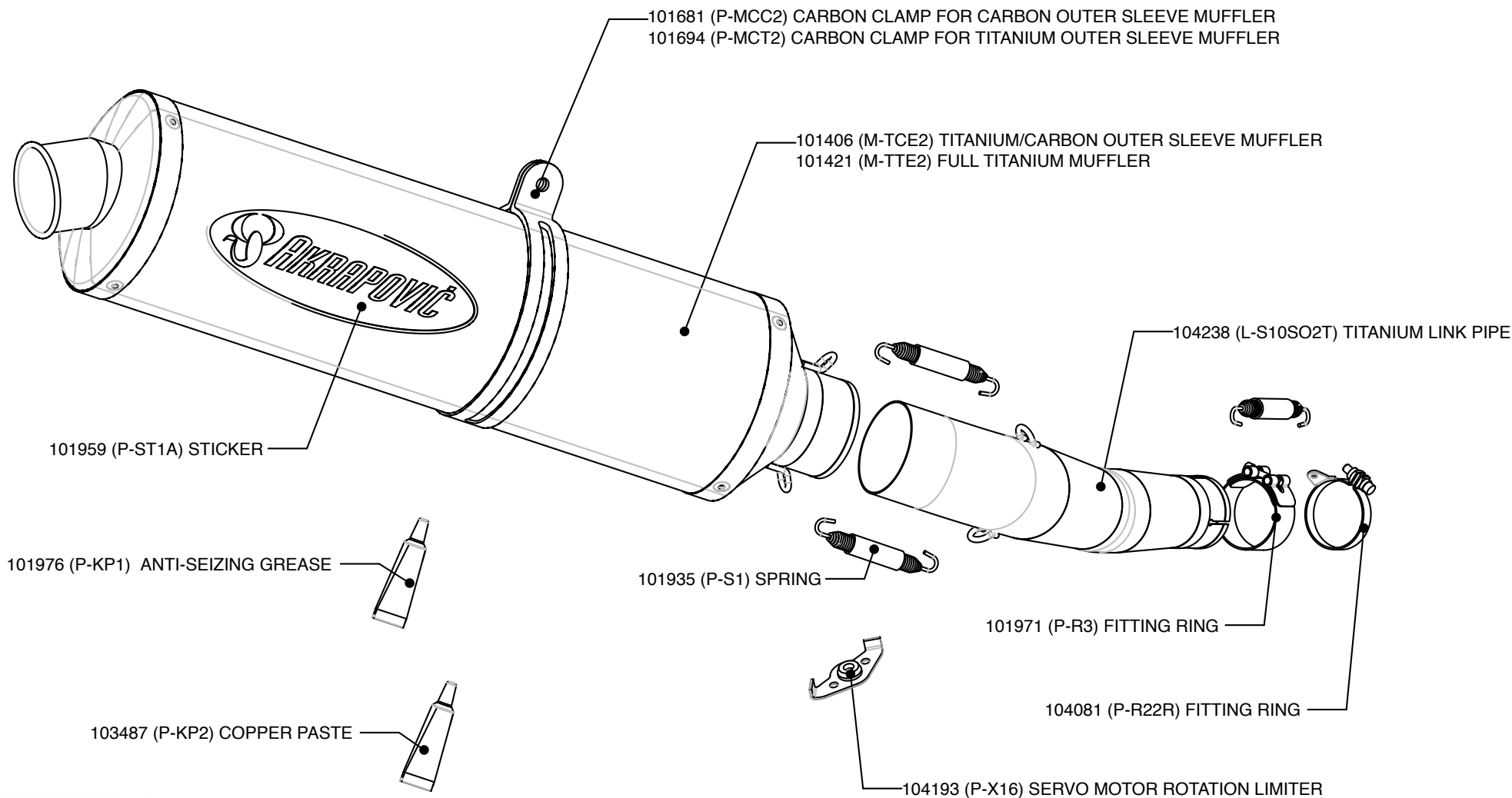
Akrapovic Exhaust System Technology copyright 2005, all rights reserved

Road Program

Product code: 104080 (S-S10SO2-C), 104079 (S-S10SO2-T) stainless steel link pipe

Akrapovic Slip-On Exhaust System

for the Suzuki GSX-R 1000 (2005 - 2006)



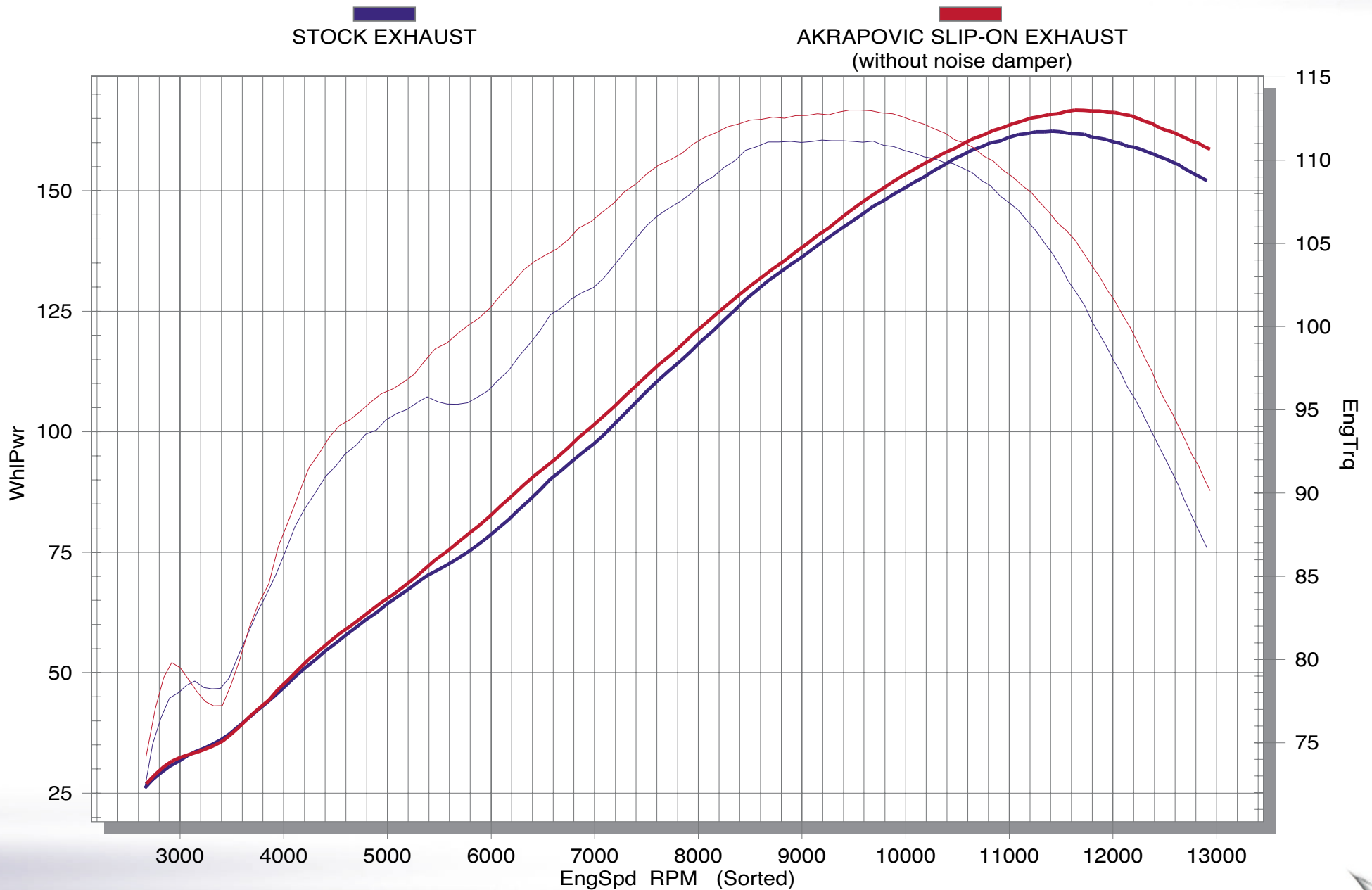
Akrapovic Exhaust System Technology copyright 2005, all rights reserved

Road Program

Product code: 104239 (S-S10SO2T-C) 104240 (S-S10SO2T-T) titanium link pipe

Akrapovic Slip-On Exhaust System

for the Suzuki GSX-R 1000 (2005 - 2006)



Akrapovic Exhaust System Technology copyright 2005, all rights reserved

Road Program

Product code: 105455 (S-S10SO2-ZC), 105454 (S-S10SO2-ZT) stainless steel link pipe, hexagonal muffler
 105453 (S-S10SO2T-ZC), 105452 (S-S10SO2T-ZT) titanium link pipe, hexagonal muffler
 104080 (S-S10SO2-C), 104079 (S-S10SO2-T) stainless steel link pipe
 104239 (S-S10SO2T-C) 104240 (S-S10SO2T-T) titanium link pipe

