



Slip-On Line (SS)

Product code: **S-PI3SO2-HRSS**

The Slip-On is the first stage in transforming your exhaust system. In addition to increasing your power, the Akrapovič Slip-On system gives your scooter a distinctive deeper sound and also changes its visual appearance. Even from afar you can see and hear that this is no mass-produced system. This system was developed based on rich experience and the result is a product that suits a scooter perfectly. Installation is a snap. EC type-approval is valid only when optional catalytic converter is installed.

The Akrapovič exhaust system increases your engine power and its torque at practically every rpm.

TECHNICAL DATA	UNIT	STOCK	AKRAPOVIČ	MAX. GAIN
maximum power	kW	12.1 at 7100 rpm	12.4 at 7100 rpm	+ 0.4 at 7000 rpm
	HP (m)	16.5 at 7100 rpm	16.8 at 7100 rpm	+ 0.5 at 7000 rpm
	HP (i)	16.3 at 7100 rpm	16.6 at 7100 rpm	+ 0.5 at 7000 rpm
maximum torque	Nm	17.1 at 7000 rpm	17.6 at 7000 rpm	+ 0.5 at 7000 rpm
	lb-ft	12.6 at 7000 rpm	13 at 7000 rpm	+ 0.4 at 7000 rpm
weight	kg	5.5	3.3	- 2.2
	lb	12.1	12.1	- 4.9
static noise level	dB	84	84	0

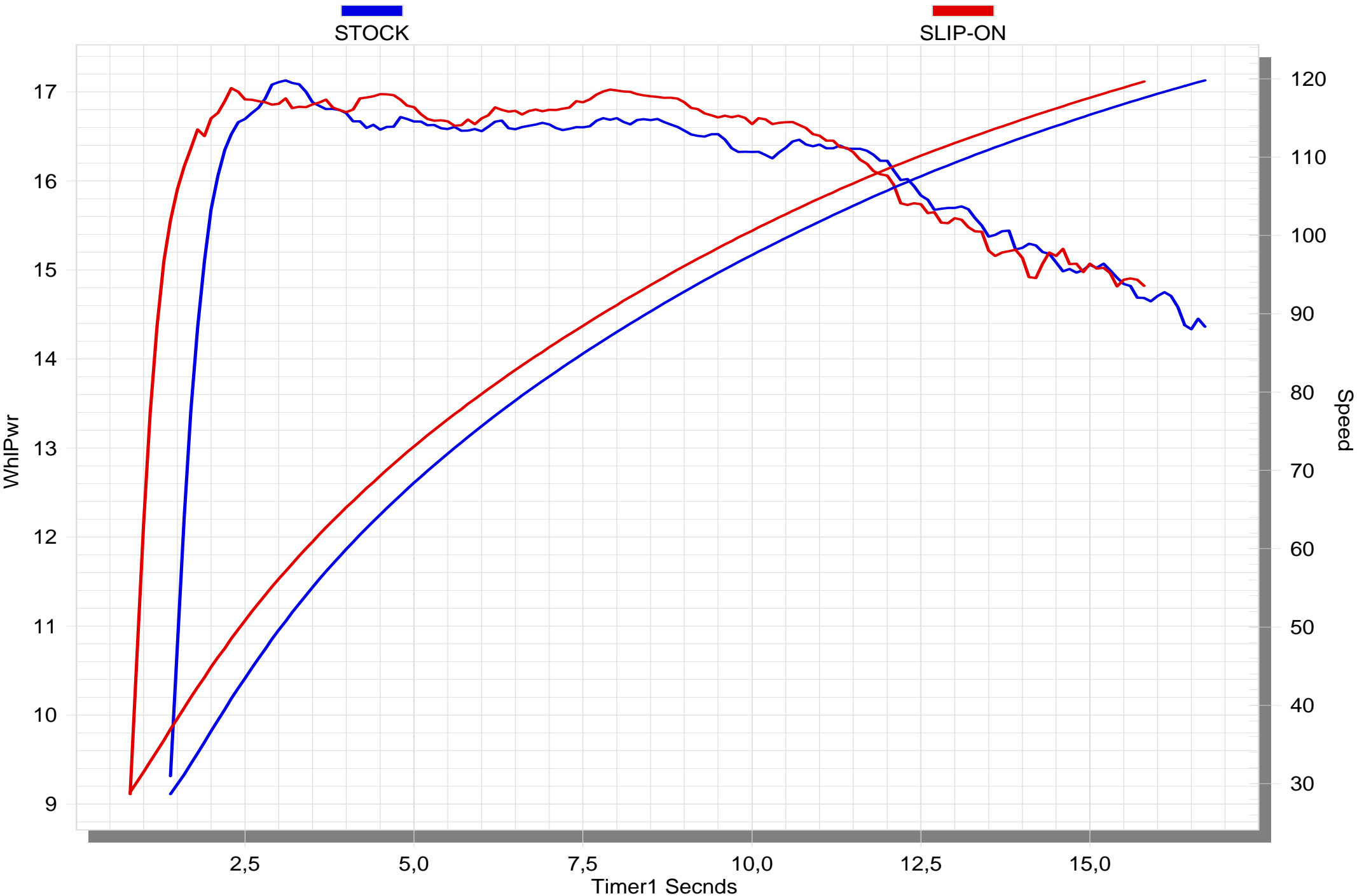
	rpm	3875	3875	0
--	------------	-------------	-------------	----------

measured with: Piaggio MP3 Yourban 300 2011

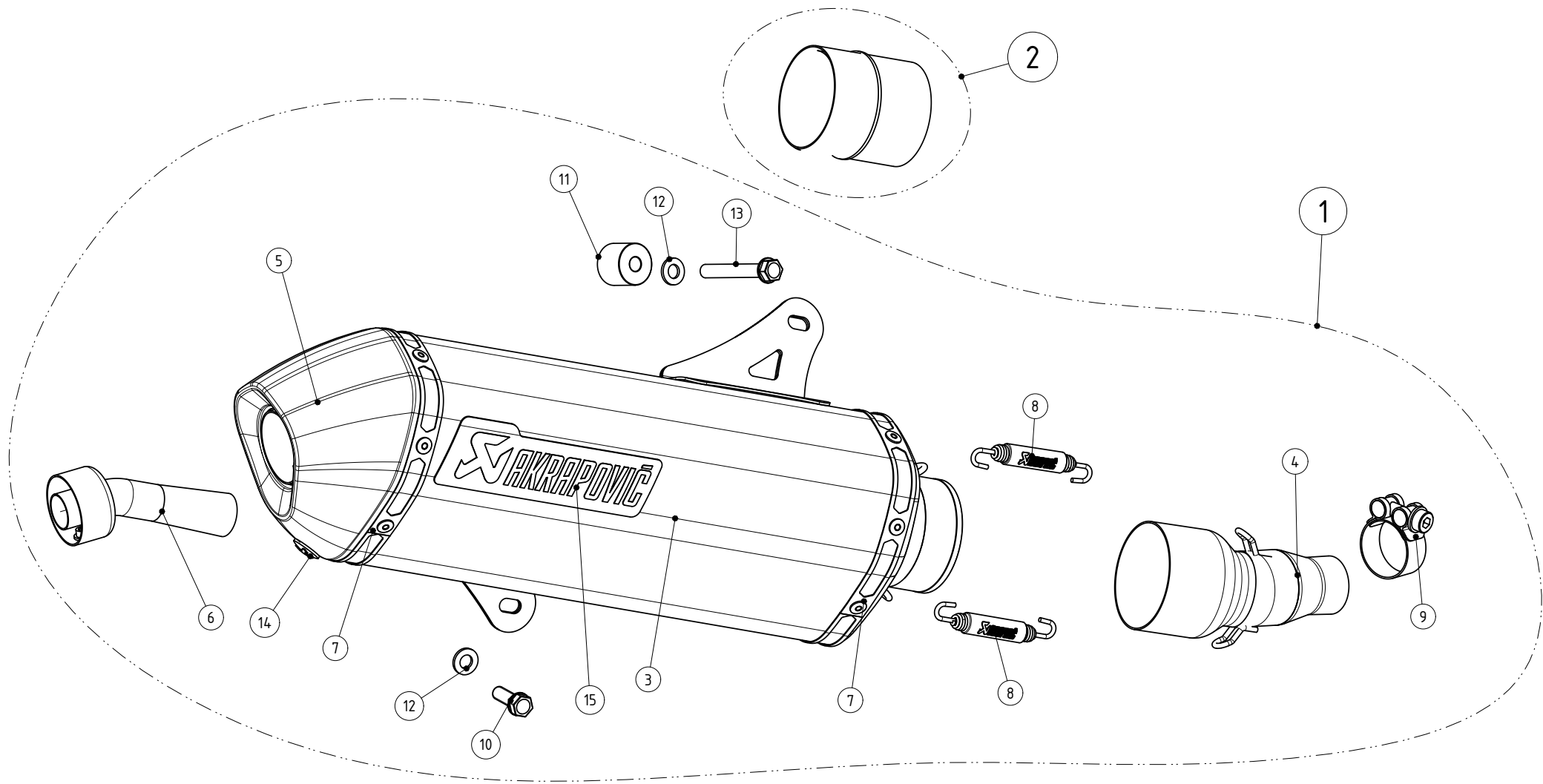
Optional Parts

Product name: **Catalytic converter**
Product code: **P-KAT-028**

PIAGGIO MP3 300 ie YOURBAN



WARNING! EC TYPE APPROVAL IS VALID ONLY WHEN OPTIONAL CATALYTIC CONVERTER IS INSTALLED!



MUFFLER REPAIR KITS	
REPACK	16
SLEEVE	17