



Installation instructions

Akrapovič Exhaust System
Racing
for the
Kawasaki Z1000 / Z1000SX



502553

Congratulations on purchasing an Akrapovič exhaust system. Please read the entire installation manual prior to undertaking any activities related to installation of your new Akrapovič exhaust system. In case you do not fully understand the manual or any of its parts, please contact your authorized dealer!

This product should be installed by someone with sufficient knowledge of exhaust systems and their installation, and appropriate hand or power tools. If you are not qualified for this work, please utilize a certified mechanic for installation. By installing Your Akrapovič exhaust system, you indicate that you have read the installation manual in its entirety and you agree with the terms stated herein.

It is your responsibility to follow all installation instruction guidelines supplied with the Akrapovič exhaust system and undertake all necessary safety precautions. Akrapovič d.d. assumes no responsibility for damages occurring from misuse, abuse, improper installation, improper operation, lack of responsible care, or all previously stated reasons resulting from incompatibility with other manufacturer's products and/or systems.

IMPORTANT INFORMATION

Exclusion of Certain Liability

1. The manufacturer, importer or dealer shall not be liable for any incidental damage including personal injury or any other damages caused by improper installation or operation of the Akrapovič exhaust system. When installing the Akrapovič exhaust system be careful that the exhaust system does not touch other parts sensitive to high temperature.
2. Akrapovič makes no representation or warranties with regard to damage caused by the improper installation, use and maintenance of the Akrapovič exhaust system. The warranty is limited to defects recognized by our technical department and due to normal use, and excludes items subject to normal wear (gaskets and damping wool). The guarantee is void in case of accident, modification, improper or competition use.
3. Do not attempt to install the Akrapovič exhaust system on a vehicle model for which it was not made or tested by Akrapovič.
4. When the exhaust system gets very hot during operation, be careful not to burn yourself on the exhaust system or parts which are in direct contact with it, even when the engine is not running. Also protect other people, especially children, from the injuries mentioned above.
5. In some cases Akrapovič exhaust system kits contain chemical products (ceramic anti-seizing grease; bolt sealant). Handle with care, do not inhale or swallow. Avoid excessive contact with skin, eyes or mucous membranes. Keep out of reach of children.
6. Technical specifications of Akrapovič exhaust systems and related products are subject to change without notice.
7. Before removing the original exhaust system from your vehicle, please compare the parts you received with the list of materials provided in the installation manual in order to assure that you have all the parts necessary for the installation of your new Akrapovič exhaust system.
8. Although this manual consists of instructions for installation in written form, as well as photographs and pictures representing individual steps of the installation, please note that the photographs and pictures are symbolic and are intended for representation of general overview only. The photographs and pictures contained herein should serve as a guideline only and actual installation of the exhaust system may not correspond with the photographs and pictures entirely.
9. The process of uninstalling the original exhaust system may vary depending on the existing exhaust system. Please follow the original exhaust system manufacturer's instructions for uninstalling the original exhaust system.

Trademarks

The Akrapovič Exhaust System Technology logo is a registered trademark of Akrapovič d.d.

Akrapovič website

Information about Akrapovič exhaust systems and related products is available on the Akrapovič website at: <http://www.akrapovic.com/>

Copyright

No part of the Akrapovič exhaust system or its documentation may be reproduced or distributed in any form or by any means without the prior written authorization of the Akrapovič company.

© Akrapovič, d.d. All rights reserved.

Symbols

The following symbols are used throughout these installation instructions:



TOOLS REQUIRED



TIGHTENING TORQUE



INSTALLATION TIP



CAUTION OR WARNING



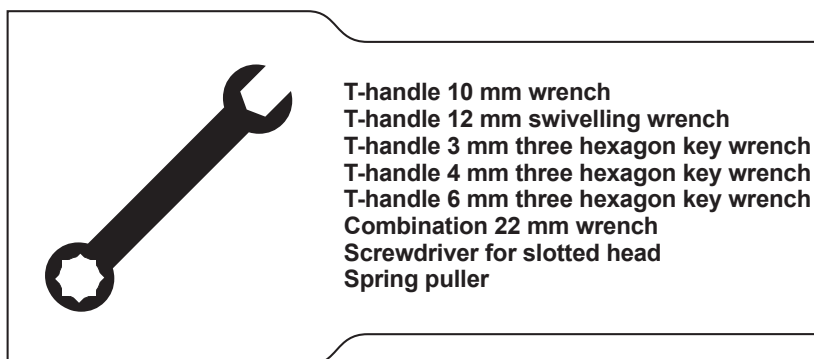
USE BOLT SEALANT; Apply 3 to 4 small drops of bolt sealant onto the cleaned and degreased threads before tightening the bolts. **WARNING! Avoid contact with skin, eyes and mucous membranes. Do not inhale fumes. Keep out of reach of children.**



USE ANTI-SEIZE LEAD-FREE COPPER PASTE (black tube); Provides trouble-free and long-lasting protection against seizing, corrosion and rusting of bolts, threaded ends, nuts, joints, etc. Also protects against vibration, wear and impact. **WARNING! Avoid eye contact. Avoid excessive skin contact. Keep out of reach of children.**



USE ANTI-SEIZING GREASE (white tube); Prevents seizing, corrosion and excessive wear between the titanium components of your exhaust system. **WARNING! Avoid eye contact. Avoid excessive skin contact. Keep out of reach of children.**



BEFORE INSTALLING, CHECK SCHEMATIC OF THE EXHAUST SYSTEM!



IF ANY ITEMS IN THE AKRAPOVIČ EXHAUST SYSTEM PACKAGE ARE MISSING, PLEASE CONTACT YOUR AUTHORIZED DEALER. KEEP THE SCHEMATIC FOR FUTURE REFERENCE.



THESE INSTALLATION INSTRUCTIONS MUST BE READ CAREFULLY IN ORDER TO ENSURE PROPER INSTALLATION AND OPERATION OF THE AKRAPOVIČ EXHAUST SYSTEM.



THE EXHAUST SYSTEM CAN BE EXTREMELY HOT. ALLOW THE EXHAUST AND ENGINE TO COOL DOWN BEFORE BEGINNING INSTALLATION.



WE ADVISE YOU TO LEAVE INSTALLATION TO A QUALIFIED SERVICEMAN. IMPROPER INSTALLATION MAY RESULT IN A SHORTER LIFETIME OF THE EXHAUST SYSTEM AND/OR DAMAGE TO THE VEHICLE.

REMOVAL OF STOCK EXHAUST SYSTEM:

1. Put the motorcycle on a side stand, we recommend a racing stand. Make sure, that surface is solid and flat.
2. Unscrew the marked bolt and remove the right side muffler heatshield (**Figure 1**).

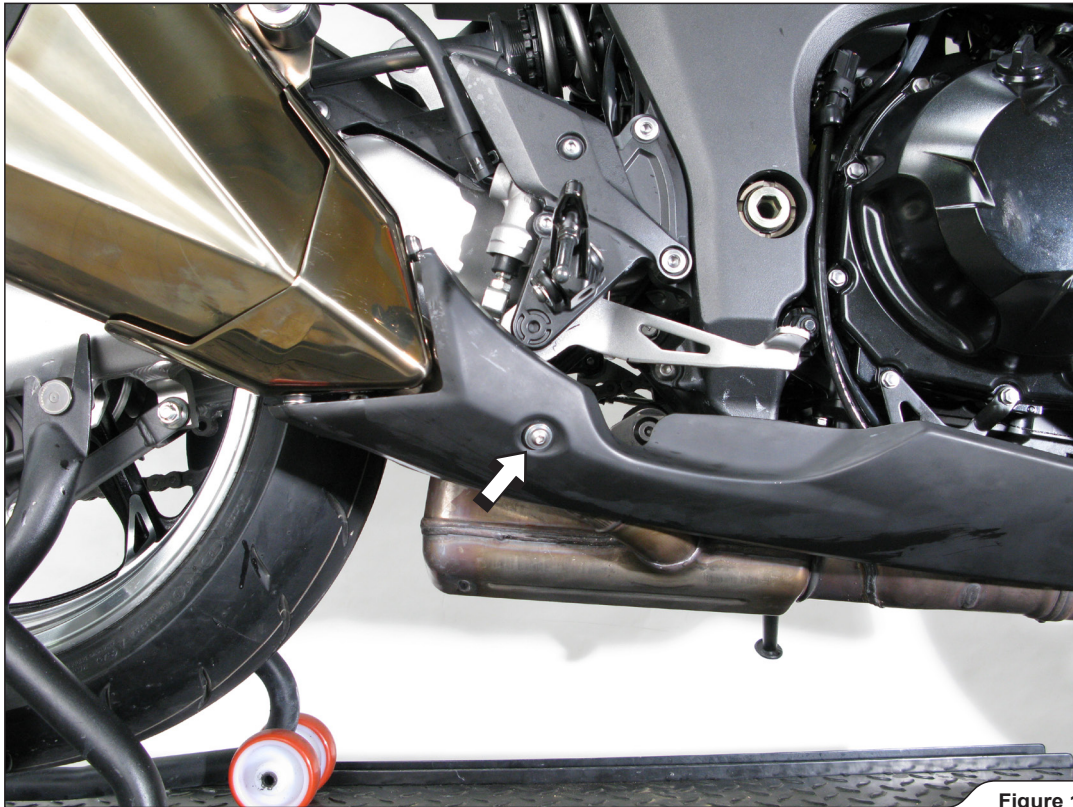


Figure 1

3. Remove the passenger seat. Unscrew and remove the rider's seat (**Figure 2**).



Figure 2

4. Undo the safety pin and remove the exhaust valve cables off the servo motor (Figure 3, 4).

! **WARNING:** do not turn the the servo motor wheel with force or the servo motor could be damaged. Hold the servo wheel in place, while removing the cables!

✂ **INSTALLATION TIP:** for easier removal, loosen up the exhaust valve cable adjusters.

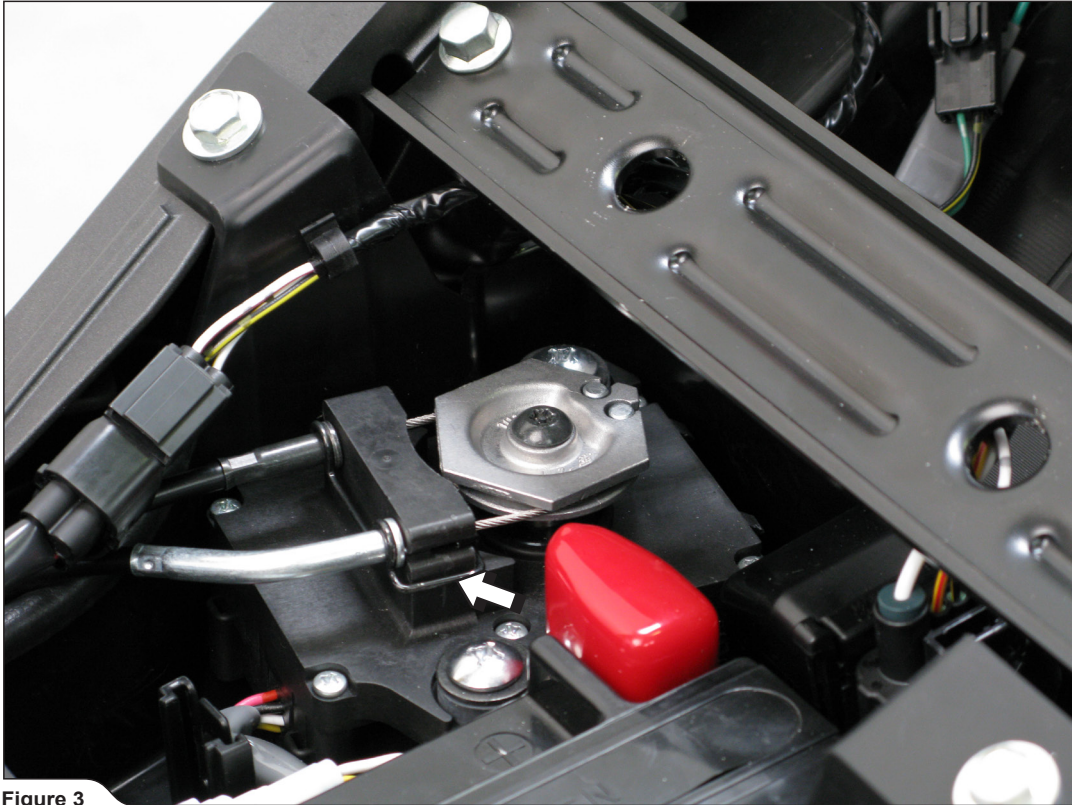


Figure 3

! **WARNING:** do not disconnect the servo's electrical connector or remove the servo motor off the vehicle!

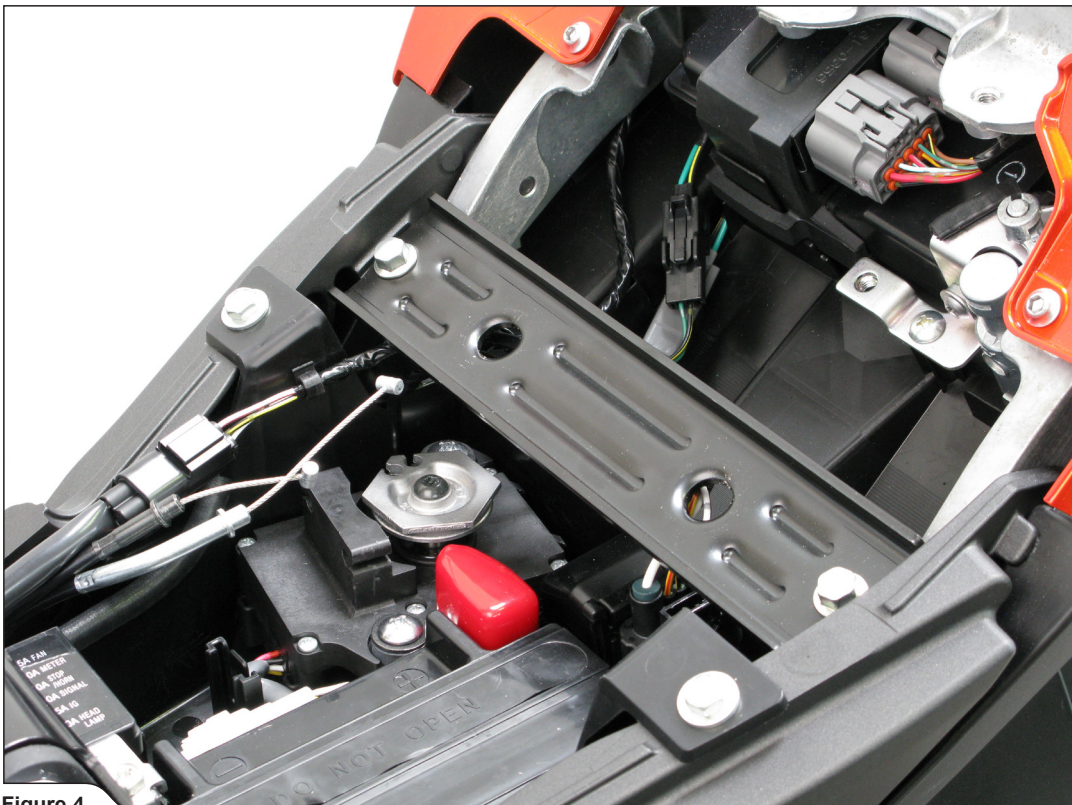


Figure 4

5. Untighten the marked metal clamp bolt and unscrew the muffler bracket bolt on both sides. Remove the mufflers off the motorcycle (Figure 5, 6).

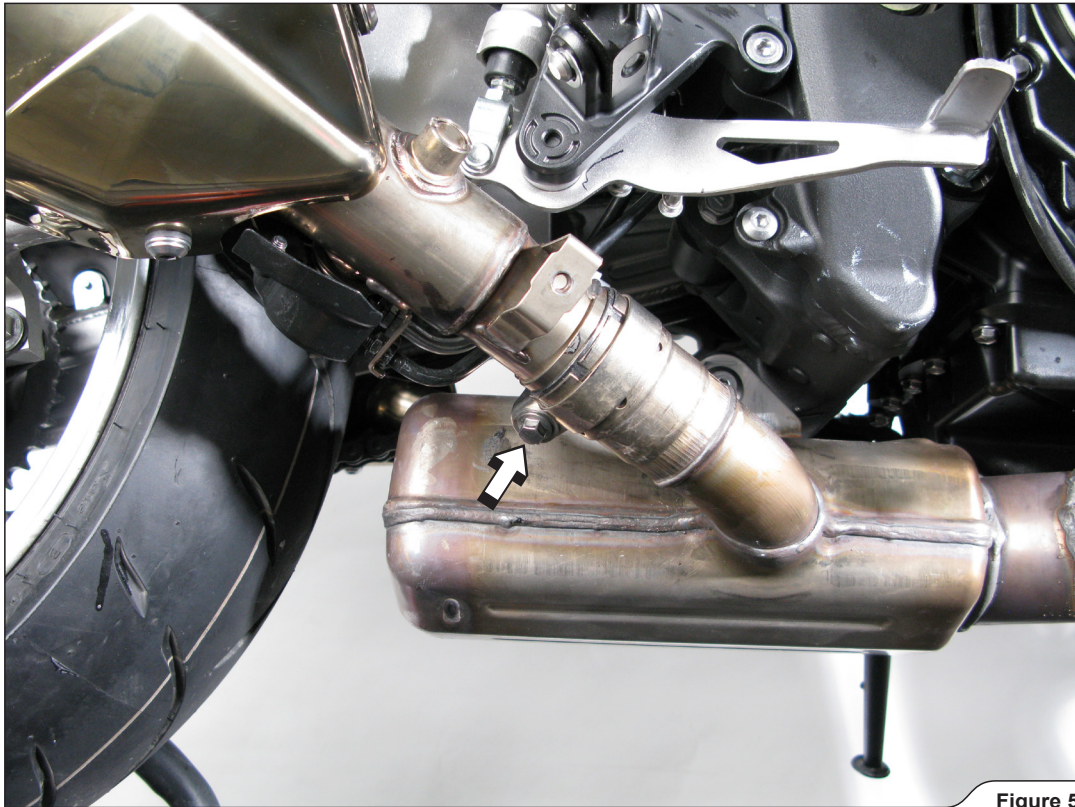


Figure 5

! WARNING: while removing the right side muffler together with exhaust valve cables, make sure you don't damage any part of the motorcycle!



Figure 6

6. Unscrew the marked lambda sensor and marked bolts on both sides of the motorcycle and remove the lower cowling (Figure 7).

! **WARNING:** be careful not to damage the electrical lead of the lambda sensor during this process!

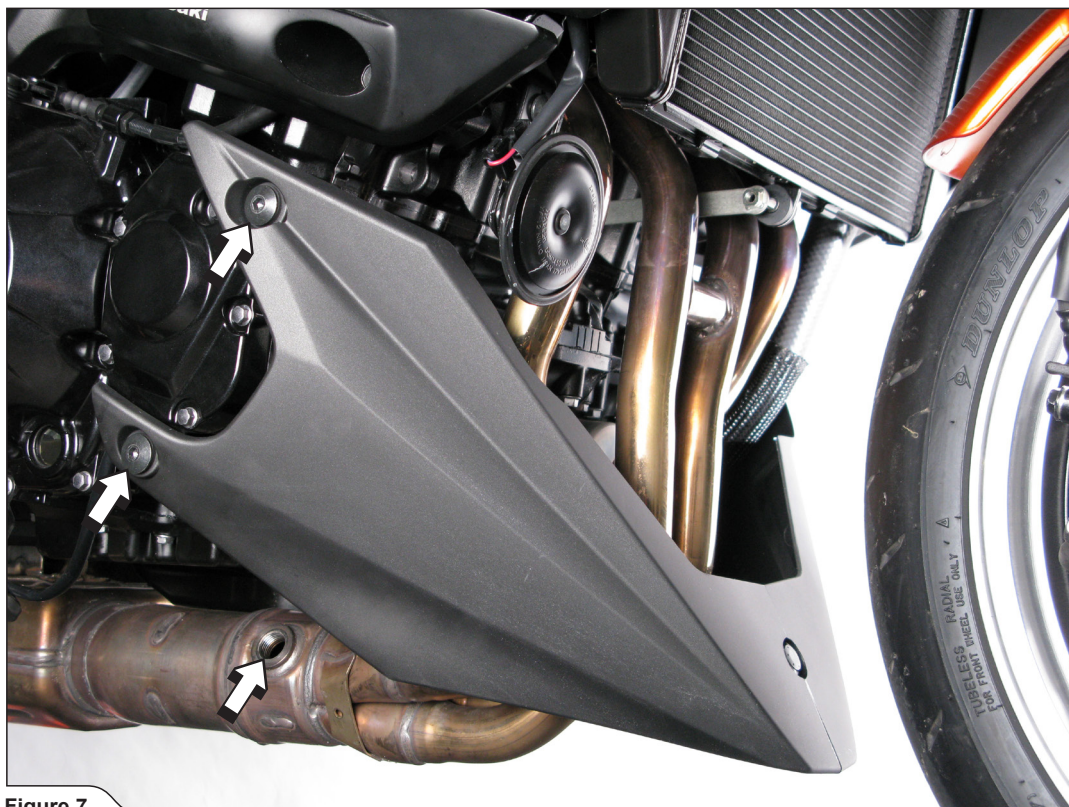


Figure 7

7. For Z1000SX model only: remove the marked plastic fasteners from the lower part of the cowling (Figure 8).



Figure 8

8. **For Z1000SX model only:** unscrew the marked bolts and remove the marked plastic fasteners from the left and right side of the cowling. Partially remove the cowling, disconnect the turn signal electrical connector and then completely remove the cowling (Figure 9, 10, 11, 12, 13). Perform the process on both sides of the motorcycle.

! WARNING: make sure not to damage the electrical leads or connectors of the turn signals during process of cowling removal!

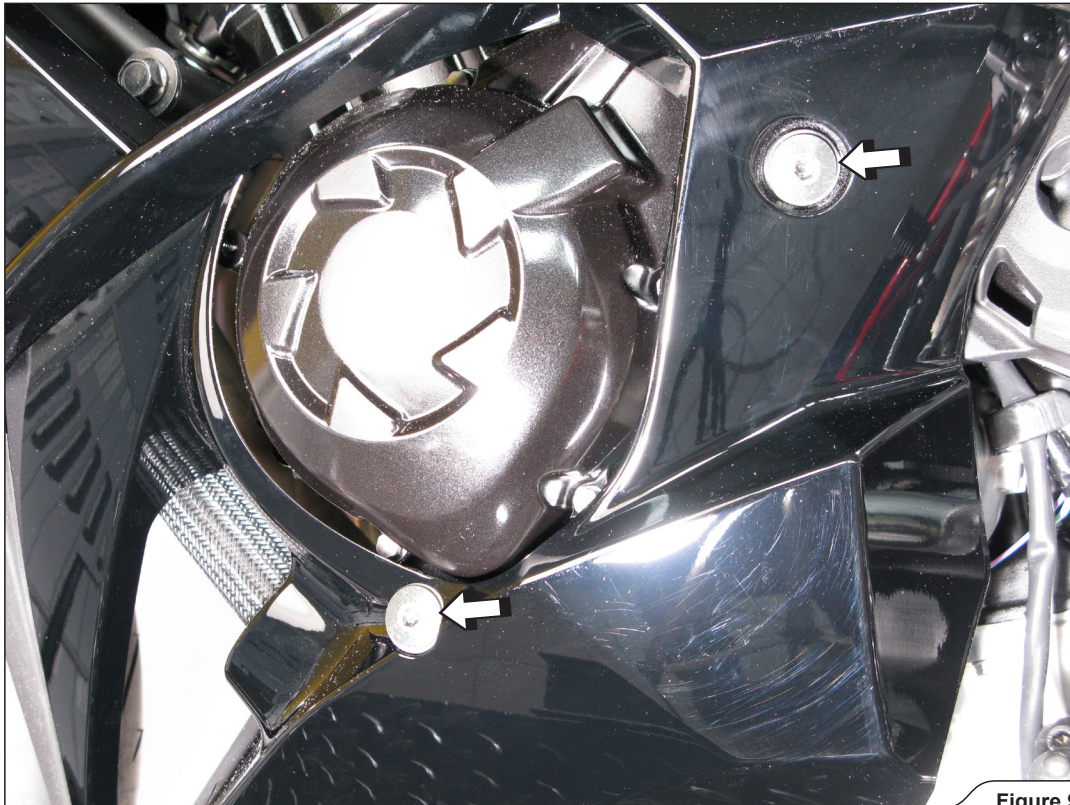


Figure 9

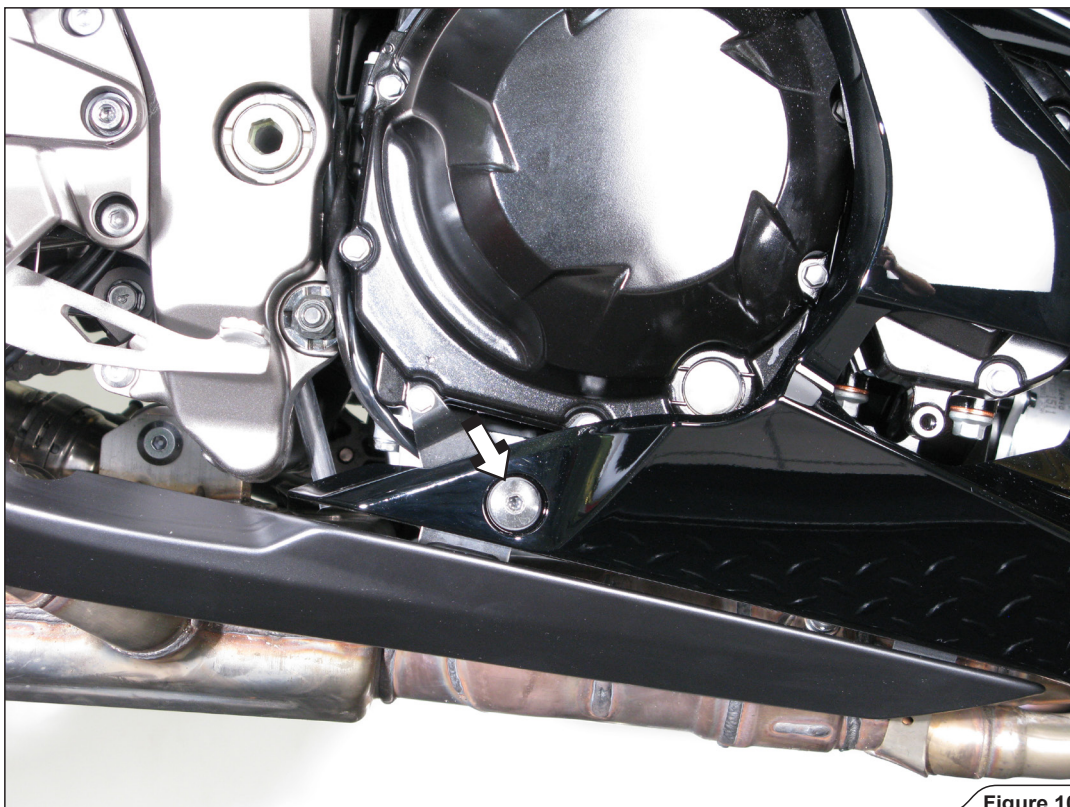


Figure 10



Figure 11



Figure 12

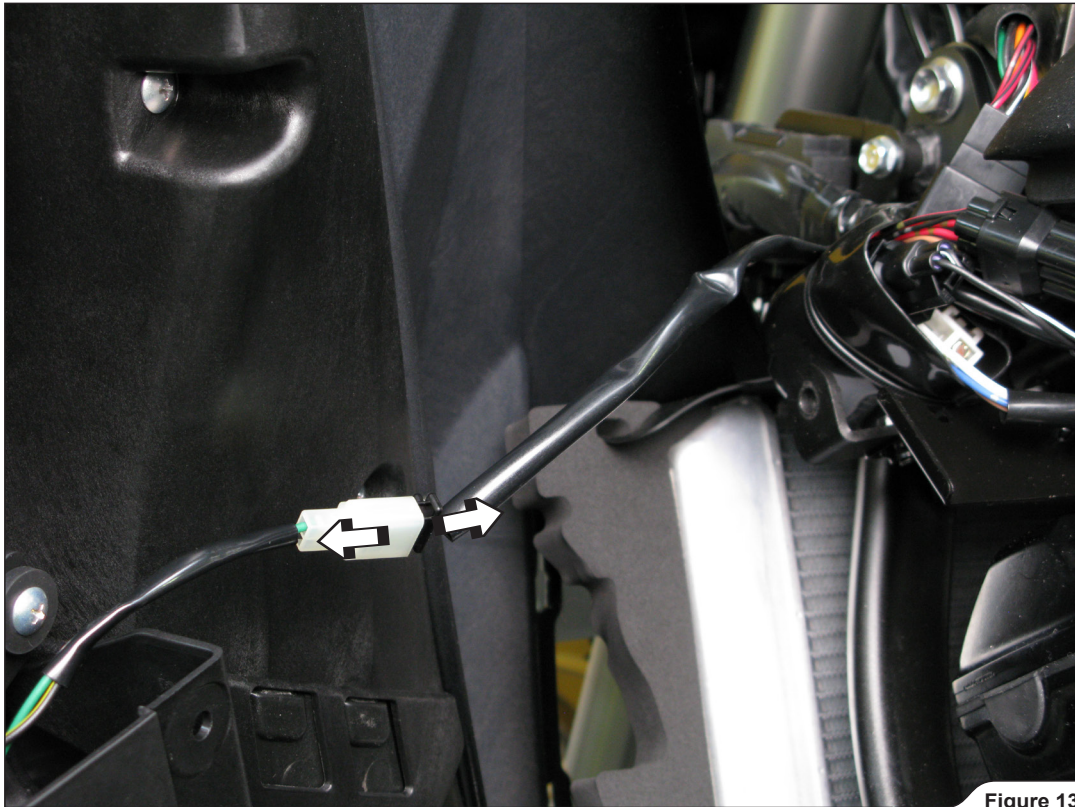


Figure 13

9. Unscrew the radiators' bracket and partially shift the radiator (Figure 14).
! WARNING: do not disconnect the cooling system tubes!

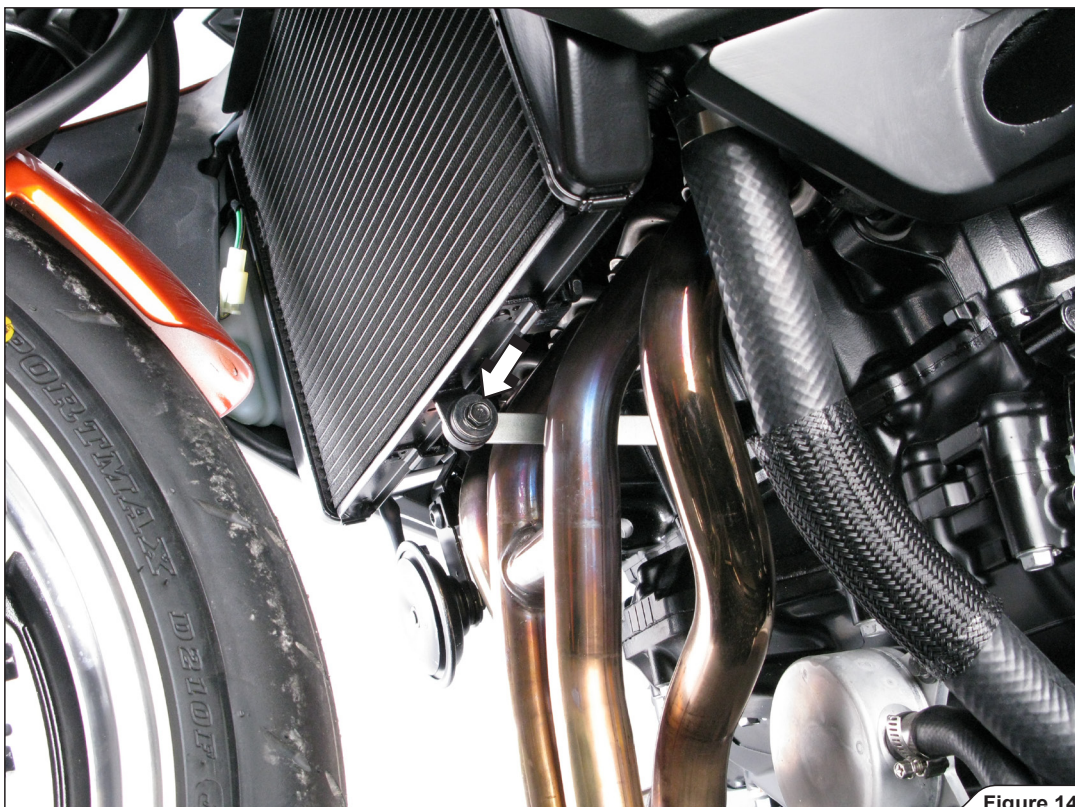


Figure 14

10. Unscrew all eight flange nuts (Figure 15).

! **WARNING:** make sure not to damage the radiator's cooling fins!

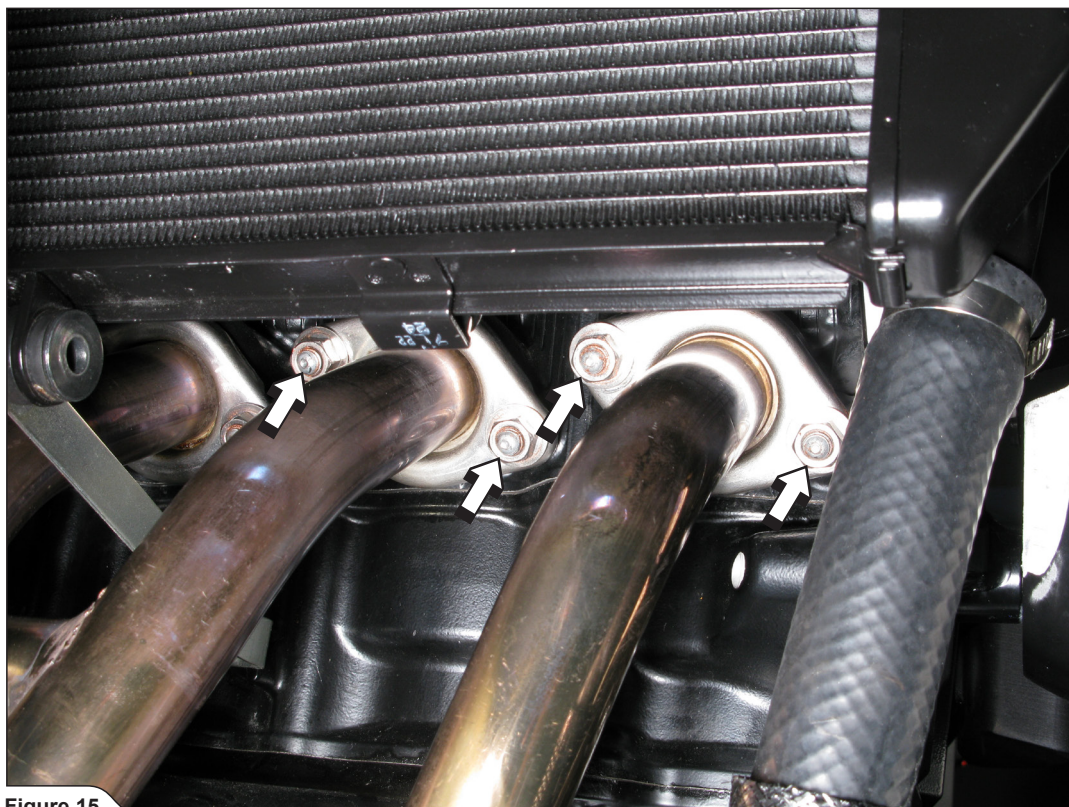


Figure 15

11. Unscrew the marked collector bracket bolt and remove the stock exhaust system off the motorcycle (Figure 16).

! **WARNING:** make sure not to damage the radiator's cooling fins!

! **WARNING:** support the stock exhaust during this procedure or it may fall of and damage you or the motorcycle!

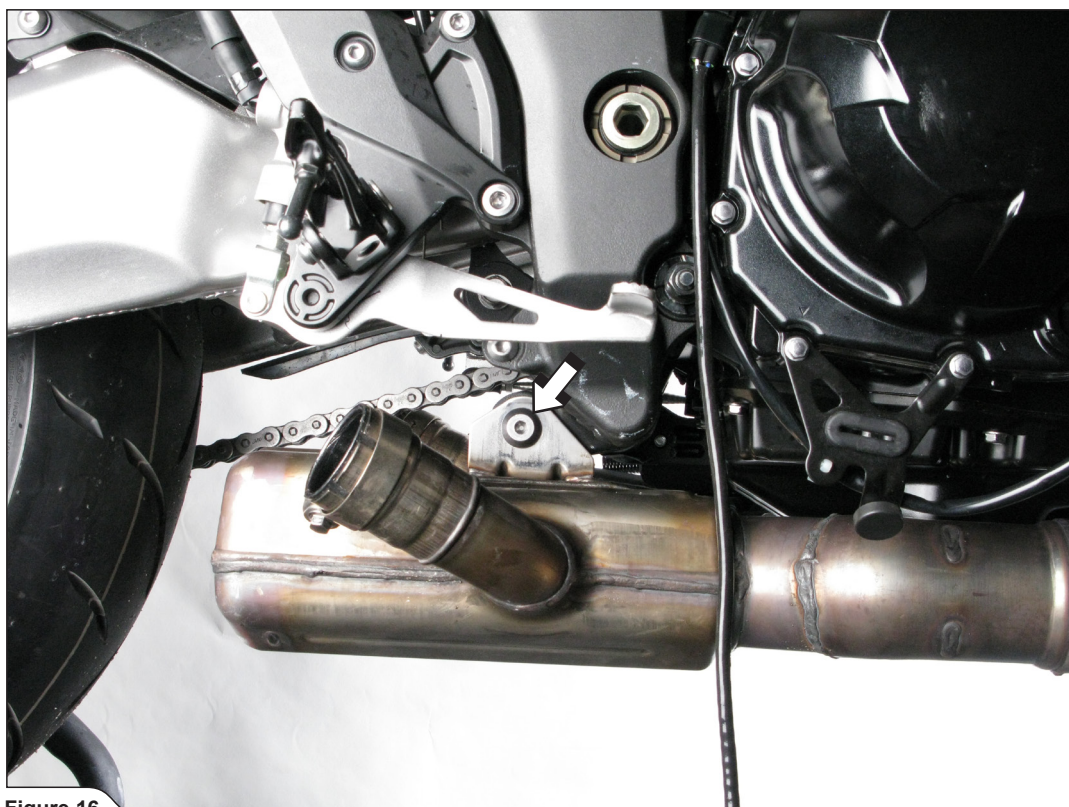


Figure 16

INSTALLATION OF THE AKRAPOVIČ RACING EXHAUST SYSTEM:

1. Set up and hand tighten the sleeves together with the flanges and springs onto the cylinder head; make sure they are correctly oriented (**Figure 17**).

! **WARNING:** do not fully tighten the flanges yet!



Figure 17

2. Insert the header tubes (assembled with collectors!) all the way into the sleeves, attach the springs and tighten the flanges and radiator bracket to a specified torques (**Figure 18**).

! **WARNING:** make sure, that springs pull the headers all the way into the sleeves – use rubber mallet if necessary to tap the connections into place!

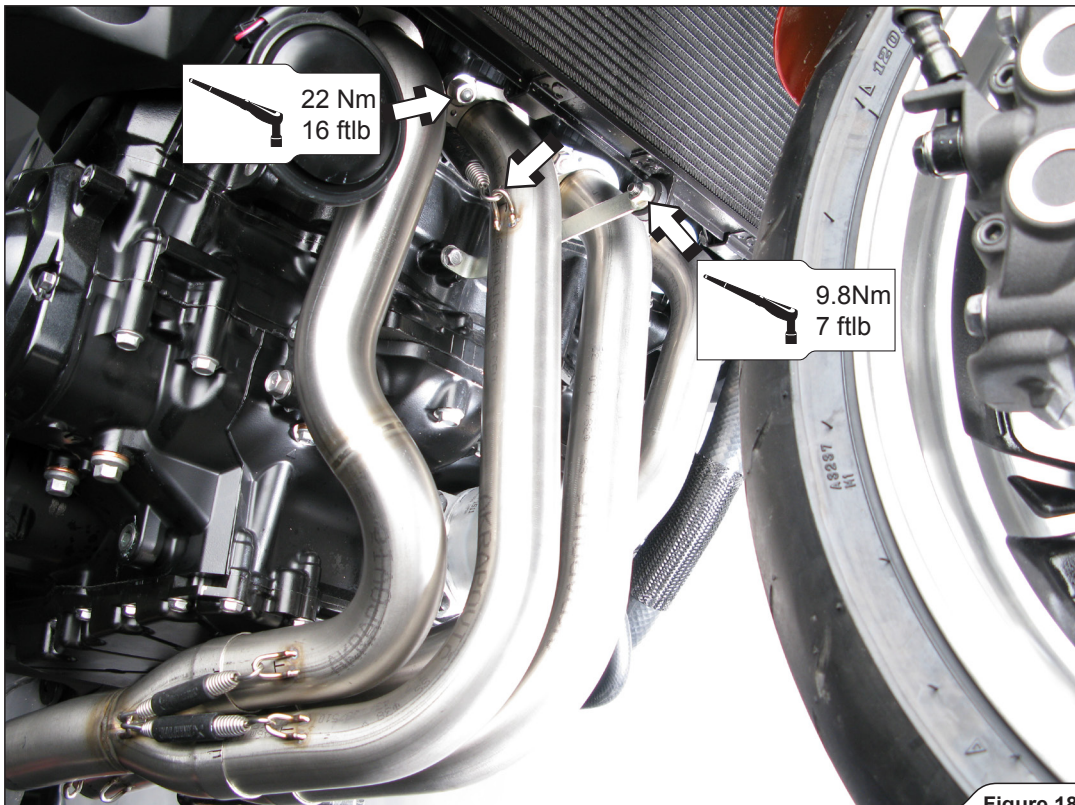


Figure 18

- Slide the link pipe all the way onto the collectors. Attach the springs, the M6 press-on nut, tighten the link-pipes' bracket onto the frame (using Akrapovič bolt and nut) and lambda sensor to a specified torques (**Figure 19**).

! WARNING: make sure, that springs pull the link-pipe all the way onto the collectors – use rubber mallet if necessary to tap the connections into place!

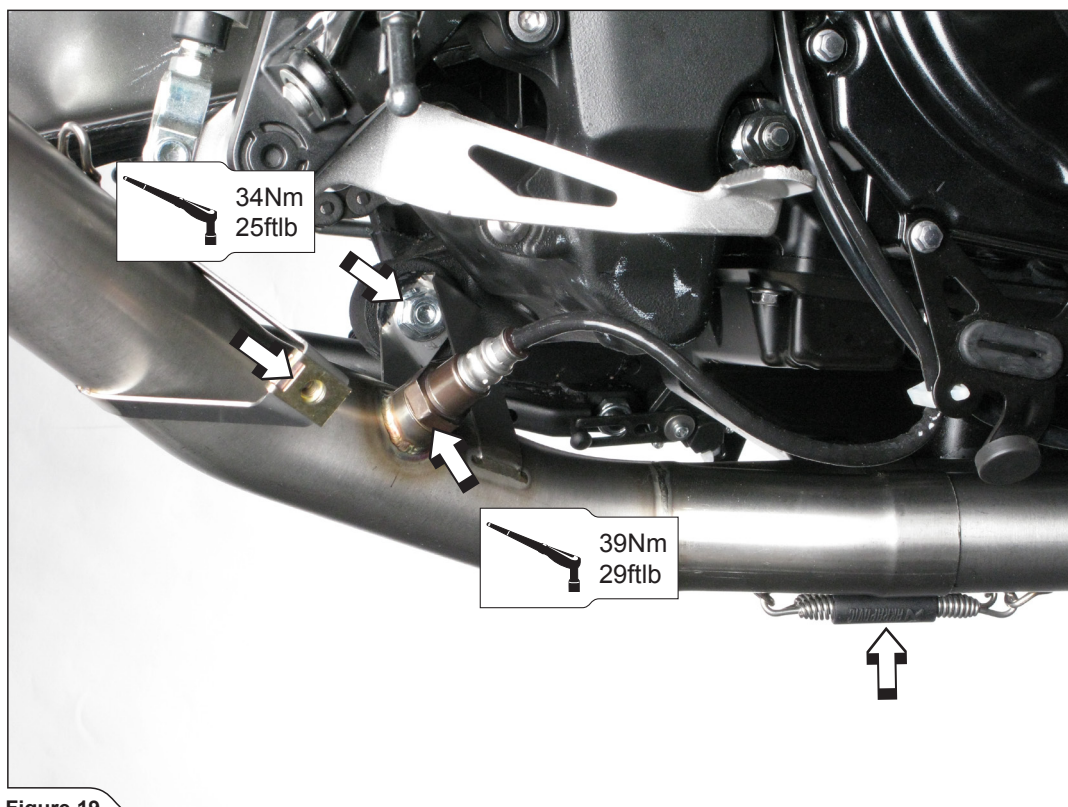


Figure 19

- Correctly position the carbon-fiber clamp and slide it onto the muffler - bear in mind the **left offset** of the carbon fiber clamp viewed from the rear. Slide the muffler onto the outlet side of the link pipe and attach the springs. Align the muffler in respect to the motorcycle and tighten the carbon-fiber clamp to the specified torques (**Figure 20**).

! WARNING: make sure, that springs pull the muffler all the way onto the link pipe – use rubber mallet if necessary to tap the connection into place!

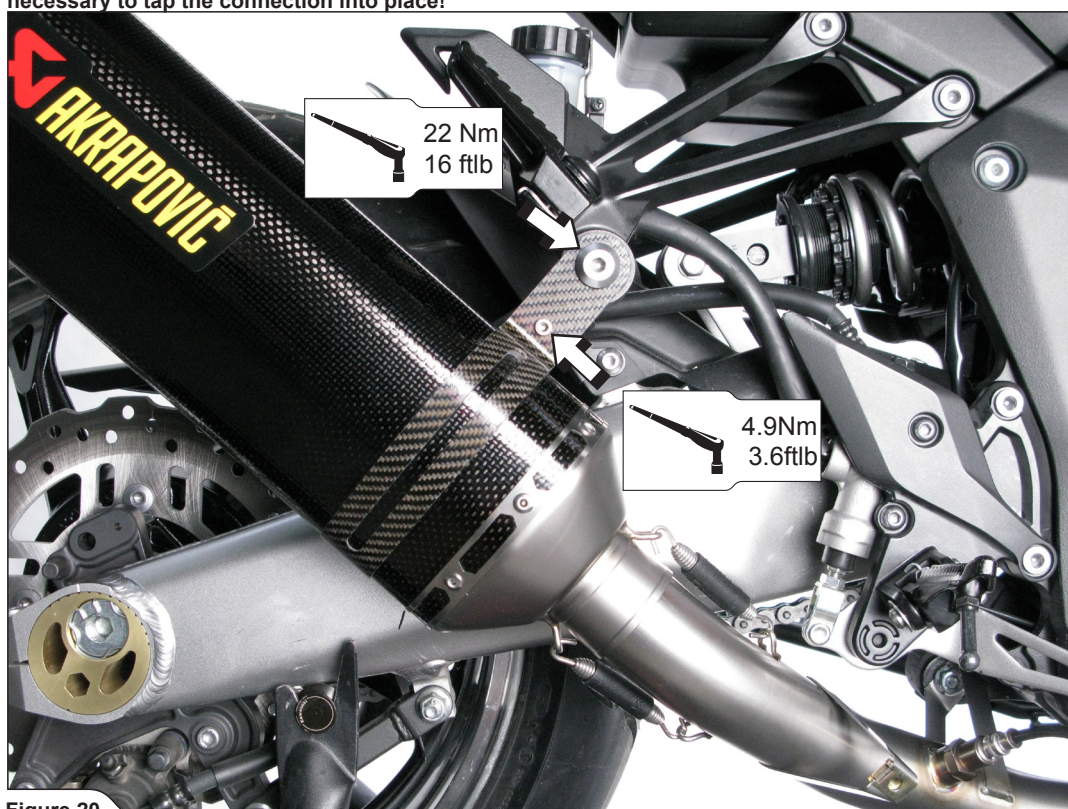


Figure 20

5. Remove the stock metal collar and rubber damper from the left muffler hanging bracket (Figure 21).

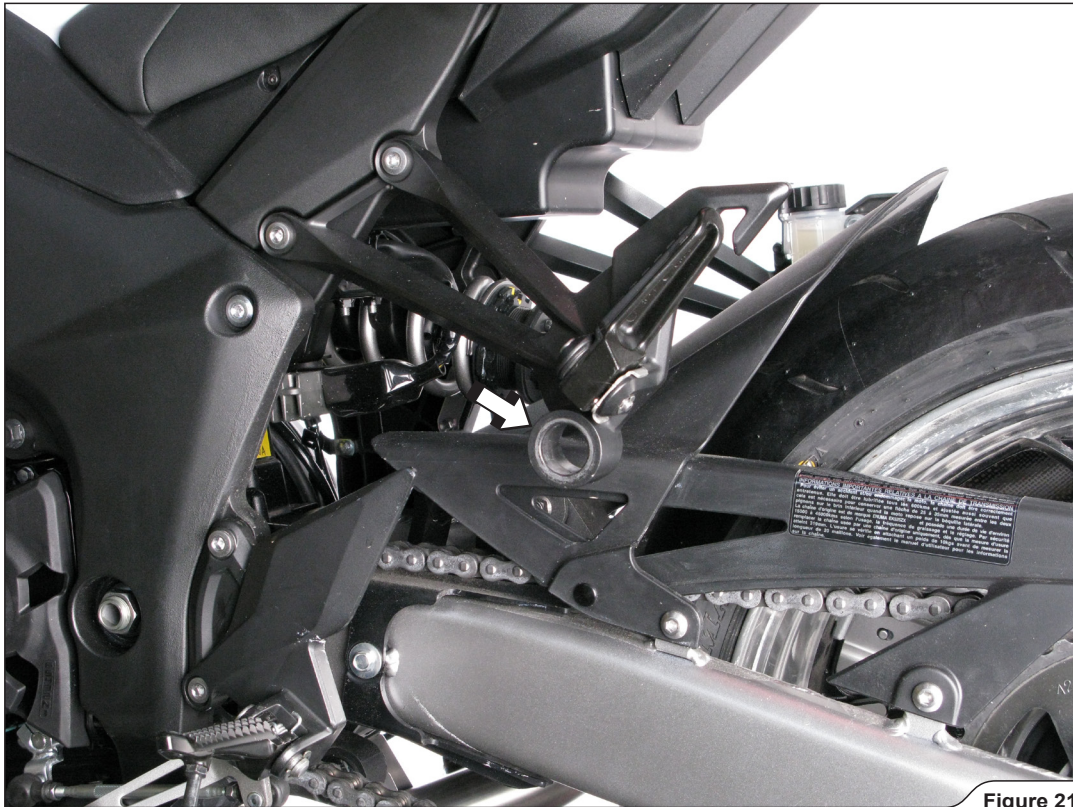


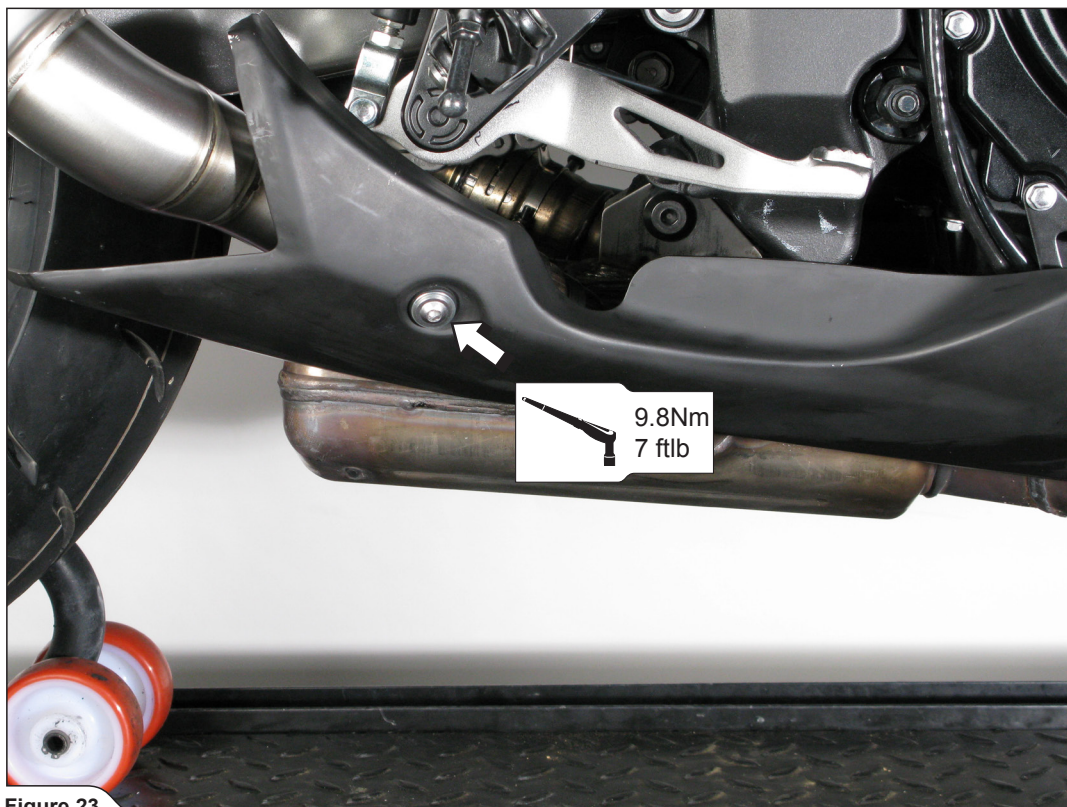
Figure 21

6. Reinstall the lower cowling in the reverse order from the order in which it was removed (Figure 22).



Figure 22

7. Install the stock heatshield back on the right side of the motorcycle, using stock bolt and washer (**Figure 23**).



8. Reinstall both seats in the reverse order from the order in which they were removed (**Figure 24**).



9. **For Z1000SX model only:** Reconnect the turn signal electrical connectors and replace all cowlings in the reverse order from the order in which they were removed (**Figure 25, 26**).

! WARNING: make sure, that you reconnect all electrical leads which were disconnected during installation!

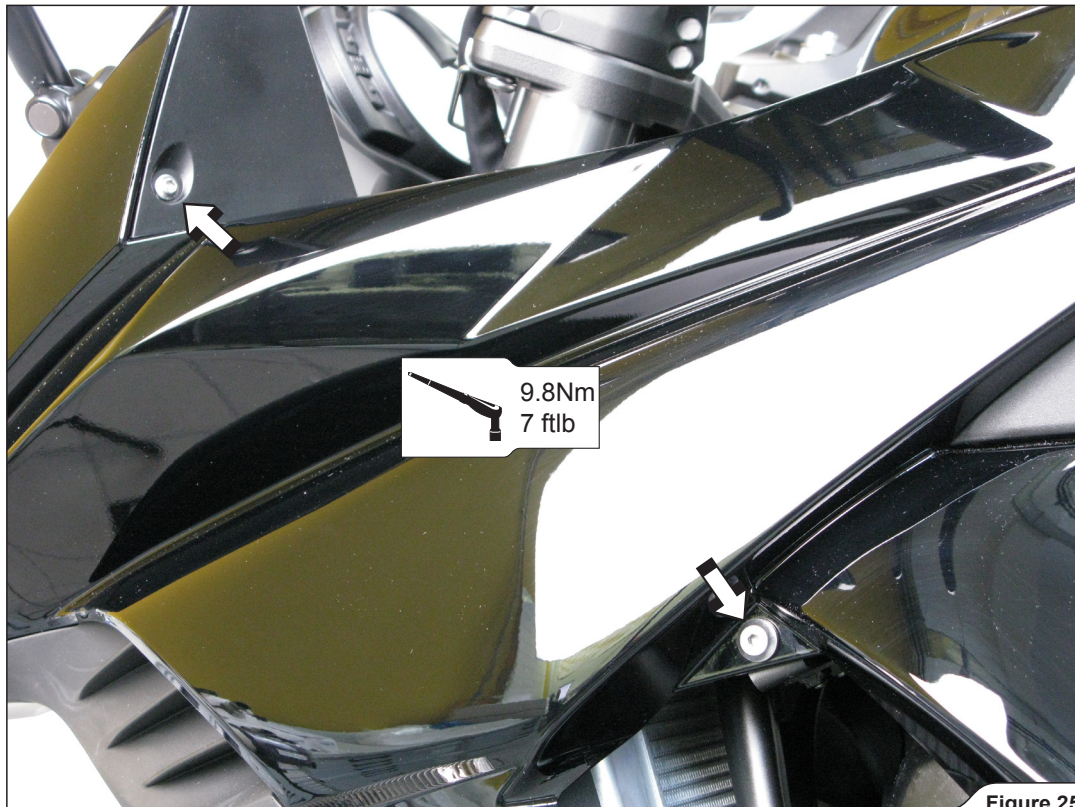


Figure 25

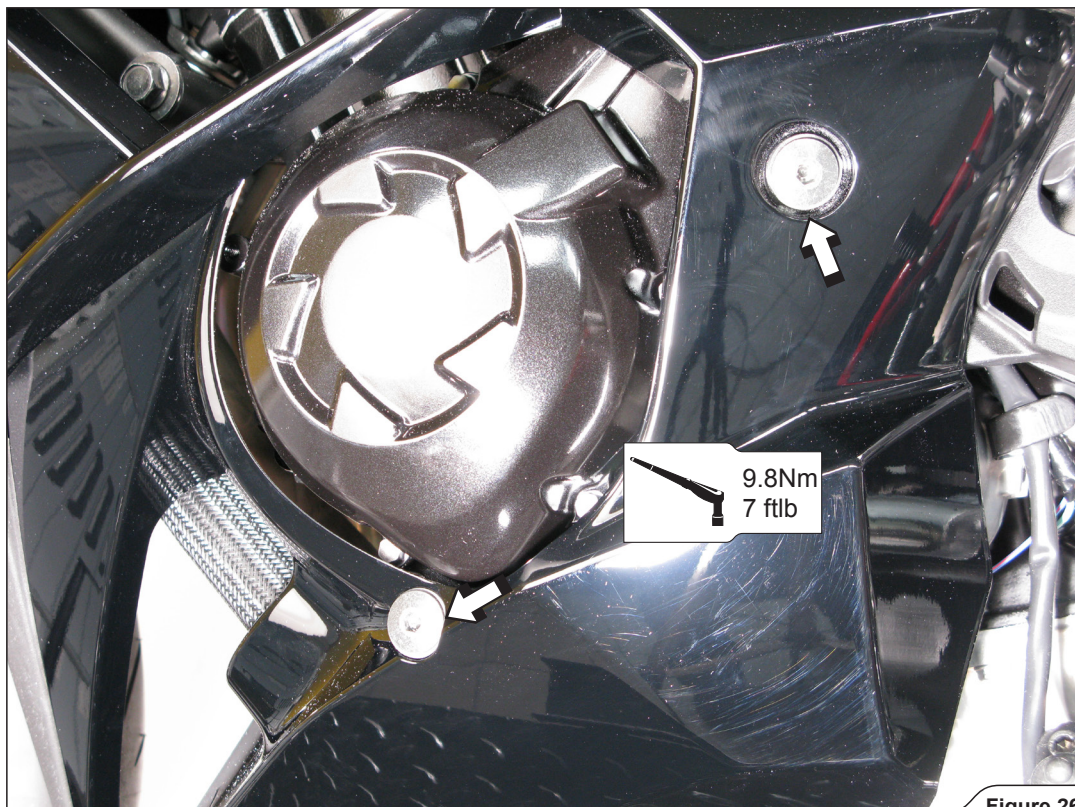


Figure 26

Final installation:

Clean grease spots:

- a. Muffler – carbon-fiber outer sleeve: use a soft dry cloth.
- b. Muffler – titanium outer sleeve: use a soft cloth sprayed with a multi-purpose spray lubricant (WD-40 or equivalent).
- c. Muffler – carbon-fiber outlet cap: use a soft dry cloth.
- d. RACING - stainless steel link pipe, collectors and header tubes: use a soft cloth sprayed with a contact cleaner, then wipe with a soft dry cloth

Cleaning will prevent spots from burning onto the surface. Do not use aggressive chemical cleaners, because they can damage the sticker.

! WARNING: make sure all the bolts are sufficiently tightened. In case the exhaust system touches the cowling or other parts repeat the adjustment of the exhaust system or contact your authorized dealer.

! WARNING: check vehicle manufacturer manual for tightening torques (for dismantled stock parts)!

! IT IS NORMAL IF WHITE SMOKE COMES OUT OF THE MUFFLER ON FIRST OPERATION.

! DO NOT STAND BEHIND THE MUFFLER ON FIRST OPERATION.

! DO NOT USE AUTOMOTIVE WHEEL CLEANERS OR ANY CLEANING PRODUCTS WHICH CONTAIN ACIDIC ADDITIVES TO CLEAN AKRAPOVIČ EXHAUST SYSTEMS.

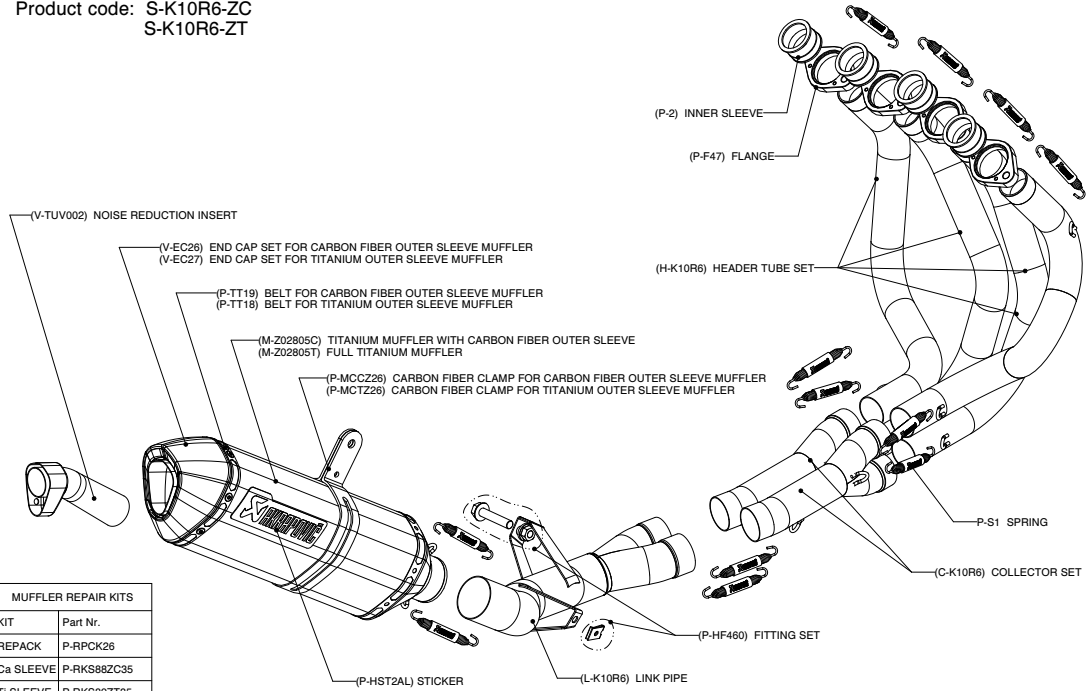
MAINTENANCE OF THE AKRAPOVIČ EXHAUST SYSTEM:

1. Clean the titanium exhaust components with a multi-purpose spray lubricant (WD-40 or equivalent), carbon fiber exhaust components with soft and dry cloth and stainless steel components with soft cloth sprayed with contact cleaner, then wipe with soft and dry cloth. A change in the color of the exhaust system is normal due to the high temperatures.
2. Periodically make sure all the bolts and springs are sufficiently tight.

WARNING! SYSTEM DOES NOT FIT ON Z1000SX WITH SIDE CASES!

KAWASAKI Z 1000 / Complete exhaust system/ RACING LINE / OPEN
KAWASAKI Z 1000 SX

Product code: S-K10R6-ZC
 S-K10R6-ZT

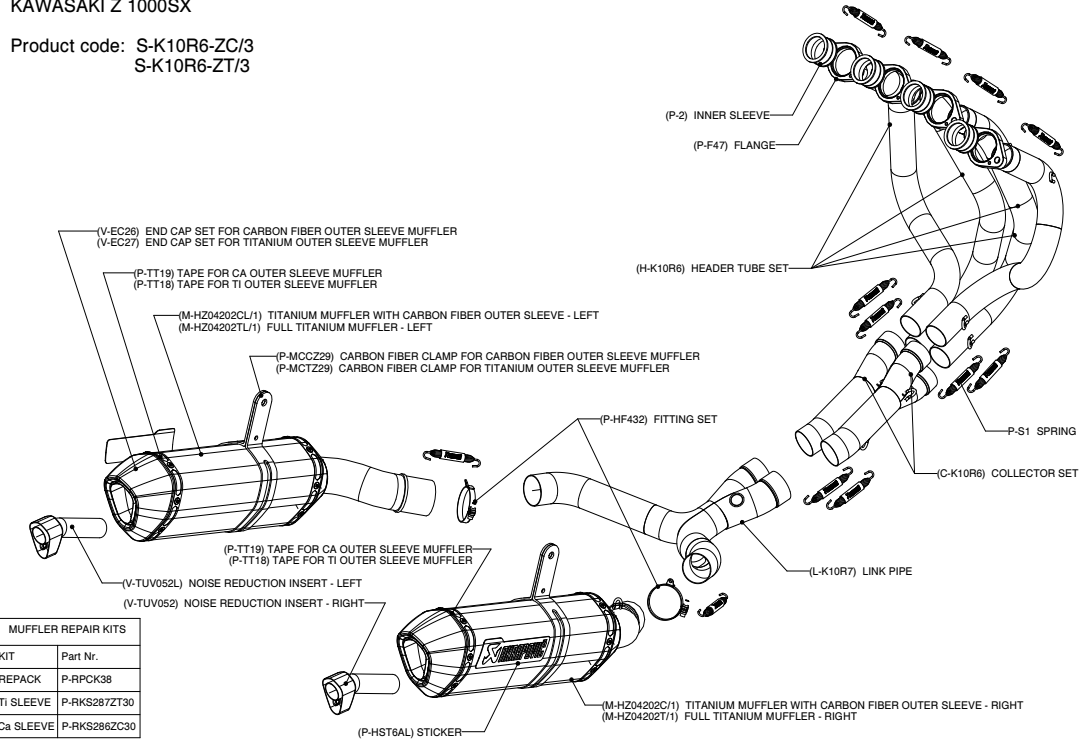


MUFFLER REPAIR KITS	
KIT	Part Nr.
REPACK	P-RPCK26
Ca SLEEVE	P-RKS88ZC35
Ti SLEEVE	P-RKS89ZT35

WARNING! IN CASE OF COMBINATION WITH RACING LINE TUBE SET, THE SLIP-ON HOMOLOGATION IS NOT VALID!

KAWASAKI Z 1000 / RACING LINE with Slip-on street legal mufflers, fits on Z1000SX with side cases / OPEN
KAWASAKI Z 1000SX

Product code: S-K10R6-ZC/3
 S-K10R6-ZT/3



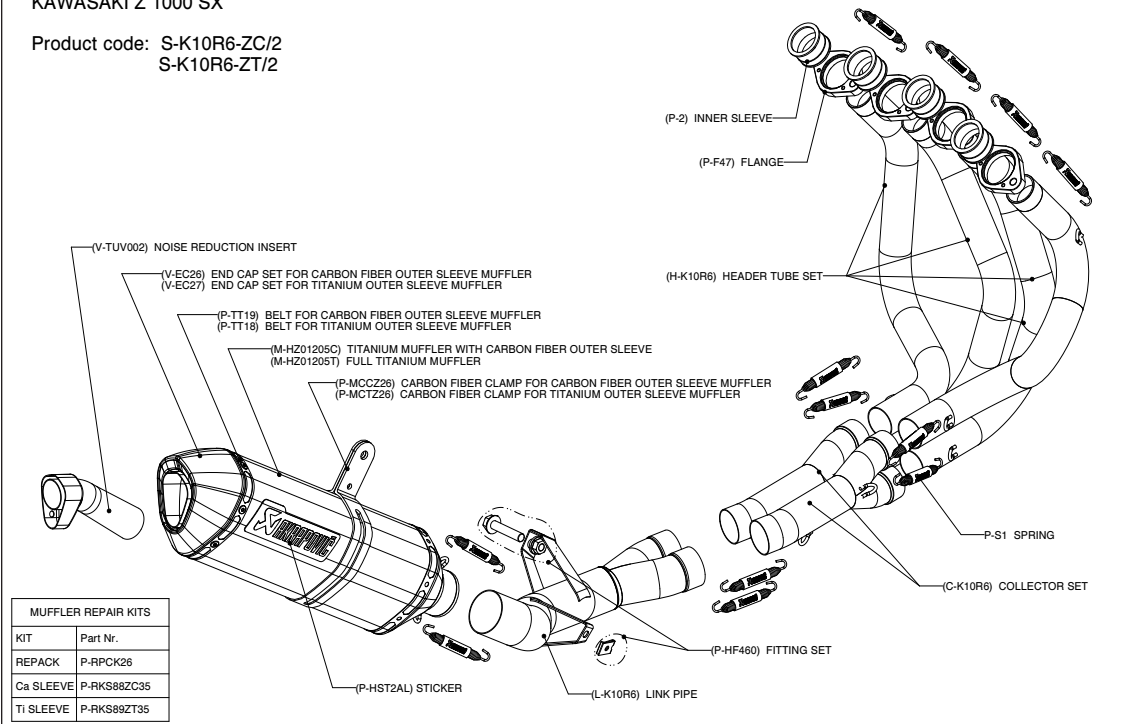
MUFFLER REPAIR KITS	
KIT	Part Nr.
REPACK	P-RPCK38
Ti SLEEVE	P-RKS287ZT30
Ca SLEEVE	P-RKS286ZC30

WARNING! IN CASE OF COMBINATION WITH RACING LINE TUBE SET, MUFFLER HOMOLOGATION IS NOT VALID!

SYSTEM DOES NOT FIT ON Z1000 SX WITH SIDE CASES

**KAWASAKI Z 1000 / Complete exhaust system/ RACING LINE with homologated muffler / OPEN
KAWASAKI Z 1000 SX**

Product code: S-K10R6-ZC/2
S-K10R6-ZT/2



MUFFLER REPAIR KITS	
KIT	Part Nr.
REPACK	P-RPCK26
Ca SLEEVE	P-RKS88ZC35
Ti SLEEVE	P-RKS89ZT35

