



AKRAPOVIC RACING & EVOLUTION EXHAUST SYSTEM
for the
KAWASAKI KX450F

Congratulations on purchasing an Akrapovic exhaust system. Please read these installation instructions carefully. If you have any trouble installing the system please contact your authorized dealer!

IMPORTANT INFORMATION

Exclusion of Certain Liability

1. The manufacturer, importer or dealer shall not be liable for any incidental damage including personal injury or any other damages caused by improper installation or operation of the Akrapovic exhaust system. When installing the Akrapovic exhaust system be careful that the exhaust system does not touch other parts sensitive to high temperature.
2. Akrapovic makes no representation or warranties with regard to damage caused by the improper installation, use and maintenance of the Akrapovic exhaust system. The warranty is limited to defects recognized by our technical department and to normal use, and excludes items subject to normal wear (gaskets and damping wool). The guarantee is void in case of accident, modification, improper or competition use.
3. Do not attempt to install the Akrapovic exhaust system on a motorcycle for which it was not made or tested by Akrapovic.
4. When the exhaust system gets very hot during operation, be careful not to burn yourself on the exhaust system or parts which are in direct contact with it, even when the motor is not running. Also protect other people, especially children, from the injuries mentioned above.
5. In some cases Akrapovic exhaust system kits contain chemical products (ceramic anti-seizing grease; bolt sealant). Handle with care, do not inhale or swallow. Avoid excessive contact with skin, eyes or mucous membranes. Keep out of reach of children.
6. Technical specifications of Akrapovic exhaust systems and related products subject to change without notice.

Trademarks

The Akrapovic Exhaust System Technology logo is a registered trademark of Akrapovic d.d.

Akrpovic website

Information about Akrapovic exhaust systems and related products is available on the Akrapovic website at:
<http://www.akrapovic.com/>

Copyright


No part of the Akrapovic exhaust system or its documentation may be reproduced or distributed in any form or by any means without the prior written authorization of the Akrapovic company.


© Akrapovic, d.d. All rights reserved.


Symbols

The following symbols are used throughout these installation instructions:



 **USE BOLT SEALANT;** Apply 1 to 2 small drops of bolt sealant onto the cleaned and degreased threads before tightening bolts. **WARNING! Avoid contact with skin, eyes and mucous membranes. Do not inhale fumes. Keep out of the reach of children.**

 **USE ANTI-SEIZING GREASE (white tube);** Prevents seizing, corrosion and excessive wear between the titanium components of your exhaust system. **WARNING! Avoid eye contact. Avoid excessive skin contact. Keep out of the reach of children.**

 **USE ANTI-SEIZE LEAD-FREE COPPER PASTE (black tube);** Provides trouble-free and long-lasting protection against seizing, corrosion and rusting of bolts, threaded ends, nuts, joints, etc. Also protects against vibration, wear and impact. **WARNING! Avoid eye contact. Avoid excessive skin contact. Keep out of the reach of children.**

INSTALLATION INSTRUCTIONS

⚠ BEFORE INSTALLING CHECK SCHEMATIC OF THE EXHAUST SYSTEM!

! IF ANY ITEMS IN THE AKRAPOVIC EXHAUST SYSTEM PACKAGE ARE MISSING PLEASE CONTACT YOUR AUTHORIZED DEALER. KEEP THE SCHEMATIC FOR FUTURE REFERENCE.

! THESE INSTALLATION INSTRUCTIONS MUST BE READ CAREFULLY IN ORDER TO ENSURE PROPER INSTALLATION AND OPERATION OF THE AKRAPOVIC EXHAUST SYSTEM.

! THE EXHAUST SYSTEM CAN BE EXTREMELY HOT. ALLOW THE MOTORCYCLE TO COOL DOWN BEFORE BEGINNING INSTALLATION.

⚠ WE ADVISE YOU TO LEAVE INSTALLATION TO A QUALIFIED SERVICEMAN. IMPROPER INSTALLATION MAY RESULT IN A SHORTER LIFETIME OF THE EXHAUST SYSTEM AND/OR DAMAGE TO THE MOTORCYCLE.



T-handle 8mm wrench
T-handle 10mm wrench
T-handle 12mm wrench
T-handle 13mm wrench
T-handle 6mm three hexagon key wrench
Spring puller

REMOVAL OF STOCK EXHAUST SYSTEM

1. Put the motorcycle on a side stand, we recommend a racing stand.
2. For easier access to the muffler remove the rear right panel (Figure 1, 2).



Figure 1



Figure 2

3. Unscrew the bolt from the metal clamp at the link pipe – header tube joint and the bolt from the metal bracket of the link pipe (Figure 3, 4).



Figure 3



Figure 4

4. Unscrew and remove the bolt from the muffler metal bracket and remove the muffler together with the link pipe (Figure 5, 6).



Figure 5



Figure 6

5. Unscrew and remove the nuts on the flange of header tube and remove the stock header tube (Figure 7, 8).



Figure 7



Figure 8

INSTALLATION OF THE AKRAPOVIC RACING OR EVOLUTION EXHAUST SYSTEM

1. Correctly position and install the Akrapovic carbon-fiber heat shield onto the header tube; make sure the heat resistant distance washers are correctly installed (Figure 9, 10).



Figure 9



Figure 10

2. Set up the inner sleeve together with the flange and springs; make sure they are correctly oriented; use stock gasket; hand tighten the flange (Figure 11, 12, 13).



Figure 11



Figure 12



Figure 13

3. Install the header tube and attach the springs (Figure 14, 15). **WARNING!** make sure, that springs pull the header all the way into the the inner sleeve – use rubber mallet if necessary to tap the connection into place!



Figure 14



Figure 15

4. Install the aluminium collars and rubber dampers supplied in the Akrapovic kit on to the muffler clamp correctly. Correctly position the carbon-fiber clamp and slide it onto the muffler - bear in mind the left offset of the carbon-fiber clamp viewed from the rear. **WARNING! open the clamp slightly wider than the diameter of the outer sleeve of the muffler – do not scrape it along the muffler outer sleeve!** (Figure 16, 17).



Figure 16



Figure 17

5. Correctly position the muffler with welded link pipe and slide them onto the header tube (Figure 18). **For Evolution exhaust only:** coat the interior side of the input of the titanium link pipe with Akrapovic ceramic anti-seizing grease (white tube).



Figure 18

6. Hand tighten the bolt of the link pipe hanging bracket and attach the spring at the link pipe – header tube joint (Figure 19, 20). **WARNING! make sure, that spring pull the muffler with link-pie all the way onto the header tube – use rubber mallet if necessary to tap the connection into place!**



Figure 19



Figure 20

7. Attach the carbon-fiber clamp to the stock chassis hanging bracket – use the bolt and washer supplied in the Akrapovic kit. Do not fully tighten. Make sure the additional parts from the Akrapovic kit are correctly installed. Make sure the link pipe and header tube is not touching the engine or frame (Figure 21, 22).



Figure 21



Figure 22

8. Tighten fully the bolts of the muffler clamp, link pipe bracket and header tube flange (Figure 23, 24, 25).

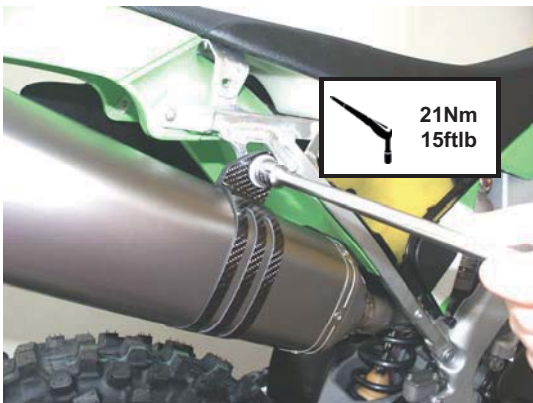


Figure 23

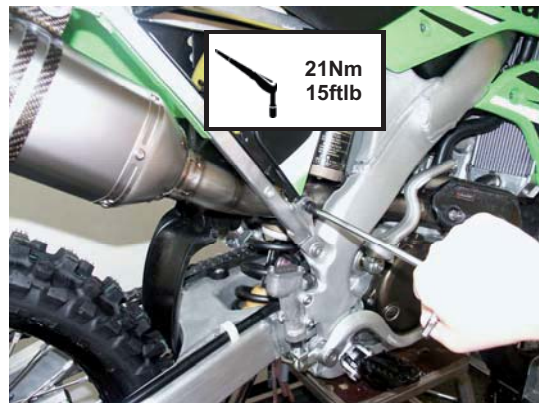


Figure 24

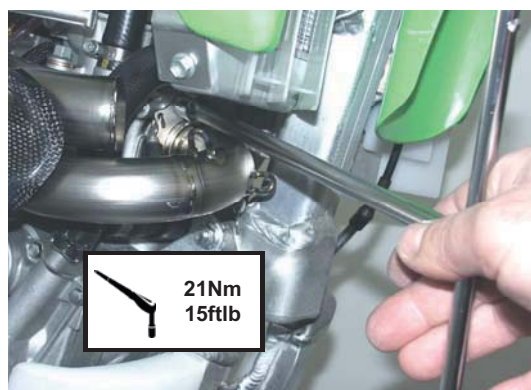


Figure 25

9. Reattach the rear panel (Figure 26, 27).



Figure 26

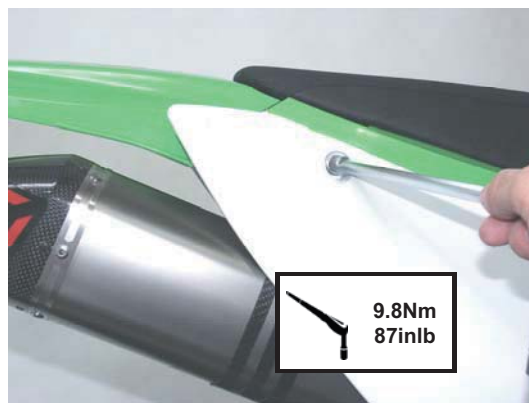


Figure 27

Final installation:

1. Clean grease spots:
 - a. Muffler – titanium outer sleeve: use a soft cloth sprayed with a multi-purpose spray lubricant (WD-40 or equivalent).
 - b. Muffler – carbon-fiber outlet cap: use a soft dry cloth.
 - c. RACING - stainless steel link pipe, header tube: use a soft cloth sprayed with a contact cleaner, then wipe with a soft dry cloth.
 - d. EVOLUTION - titanium link pipe, header tube: use a soft cloth sprayed with a multi-purpose spray lubricant (WD-40 or equivalent).

Cleaning will prevent spots from burning onto the surface. Do not use aggressive chemical cleaners, because they can damage the sticker.

WARNING! after running engine for 30 minutes, tighten the bolts on the Akrapovic carbon-fiber heat shield!

2. Position of the correctly installed Akrapovic RACING or EVOLUTION system (Figure 28).



Figure 28

3. Check the operation of the brakes and suspension. Make sure all the bolts are sufficiently tightened. In case the exhaust system touches the cowling or other parts repeat the adjustment of the exhaust system or contact your authorized dealer.

! IT IS NORMAL IF WHITE SMOKE COMES OUT OF THE MUFFLER ON FIRST OPERATION.

! DO NOT STAND BEHIND THE MUFFLER ON FIRST OPERATION.

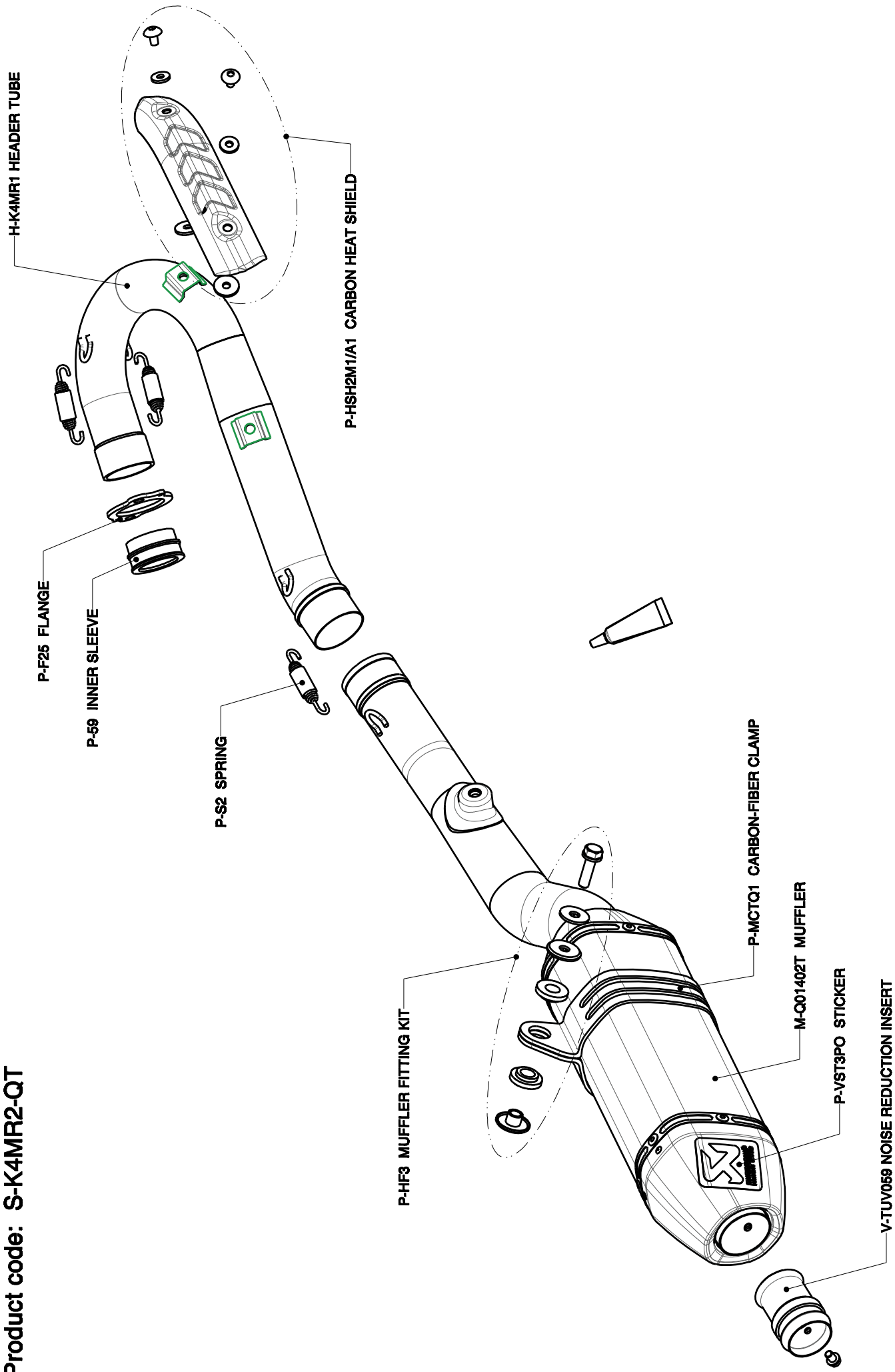
! DO NOT USE AUTOMOTIVE WHEEL CLEANERS OR ANY CLEANING PRODUCTS WHICH CONTAIN ACIDIC ADDITIVES TO CLEAN AKRAPOVIC EXHAUST SYSTEMS.

MAINTENANCE OF THE AKRAPOVIC EXHAUST SYSTEM

1. Clean the titanium exhaust components with a multi-purpose spray lubricant (WD-40 or equivalent), carbon fiber exhaust components with soft and dry cloth and stainless steel components with soft cloth sprayed with contact cleaner, then wipe with soft and dry cloth. Do not use aggressive chemical cleaners, because they can damage the sticker. A change in the color of the exhaust system is normal due to the high temperatures.
2. The wearing out of the muffler silencing material depends on the type of the motor and riding style. Contact your dealer/serviceman if visible changes appear on muffler's outer sleeve or the noise level is increased.
3. Periodically make sure all the bolts and springs are sufficiently tight.

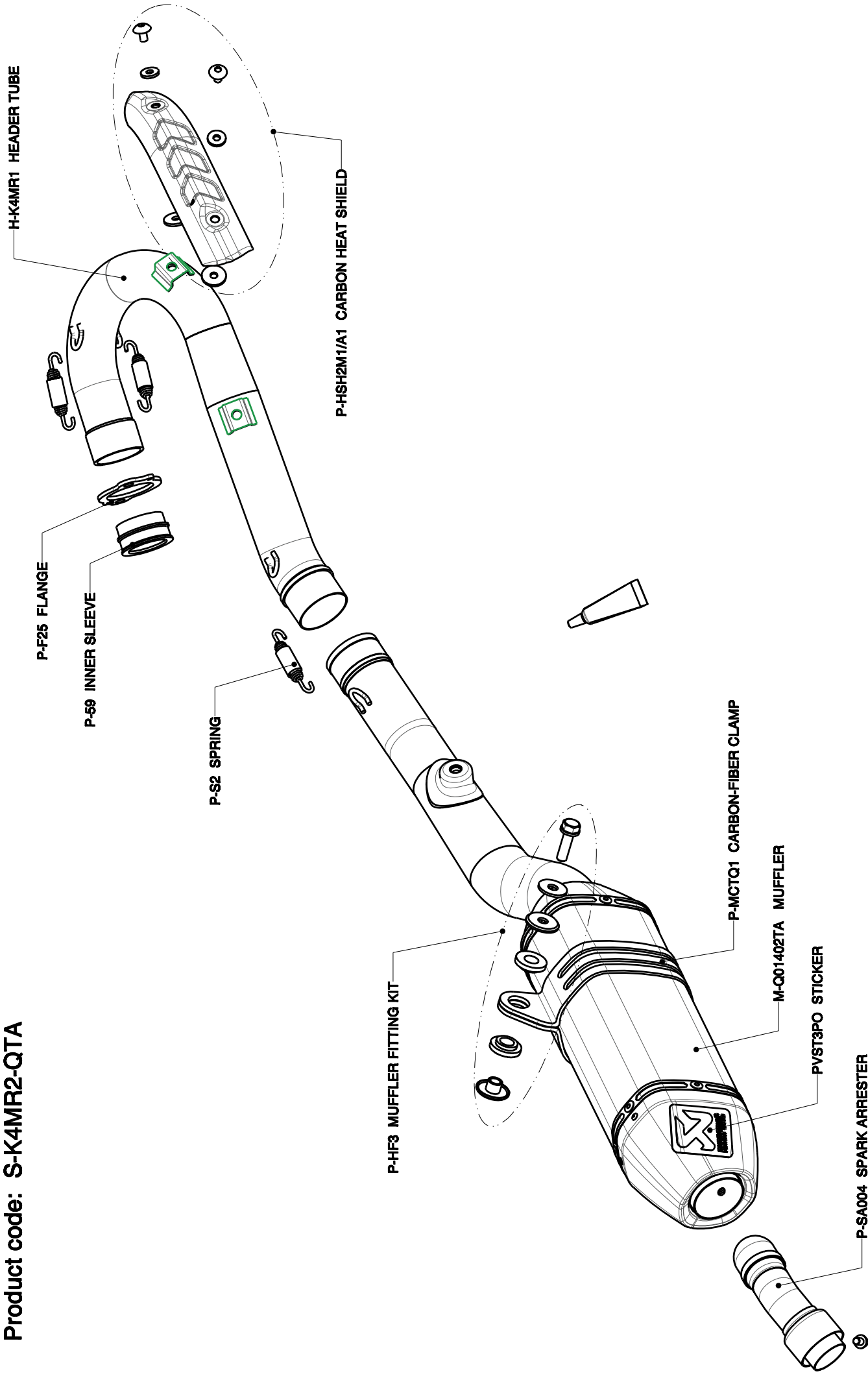
KAWASAKI KX 450 F Complete Exhaust System, Racing line, Model Year: 2006 - 2007

Product code: S-K4MR2-QT



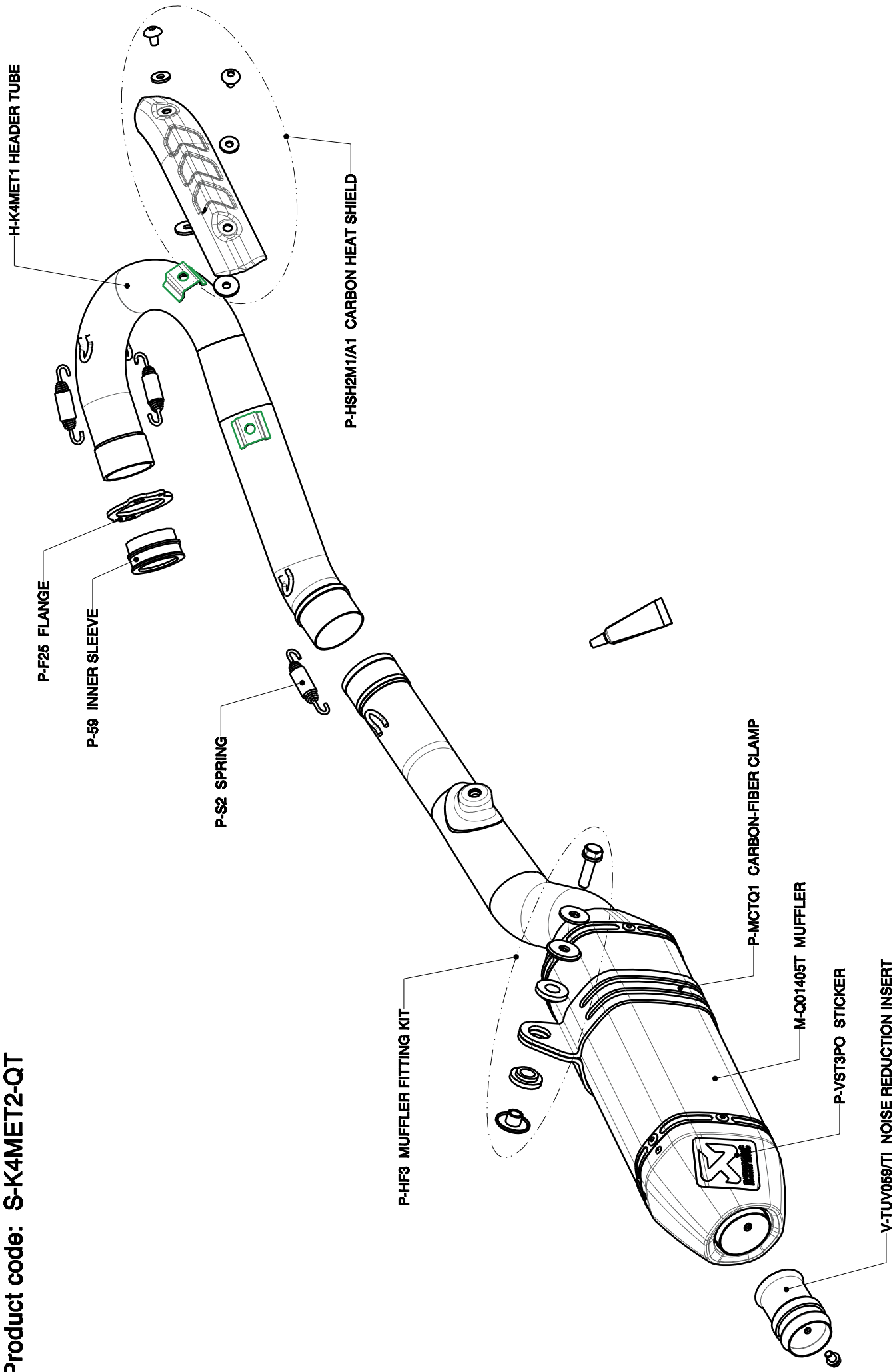
KAWASAKI KX 450 F Complete Exhaust System, Racing line with spark arrester, Model Year: 2006 - 2007

Product code: S-K4MR2-QTA



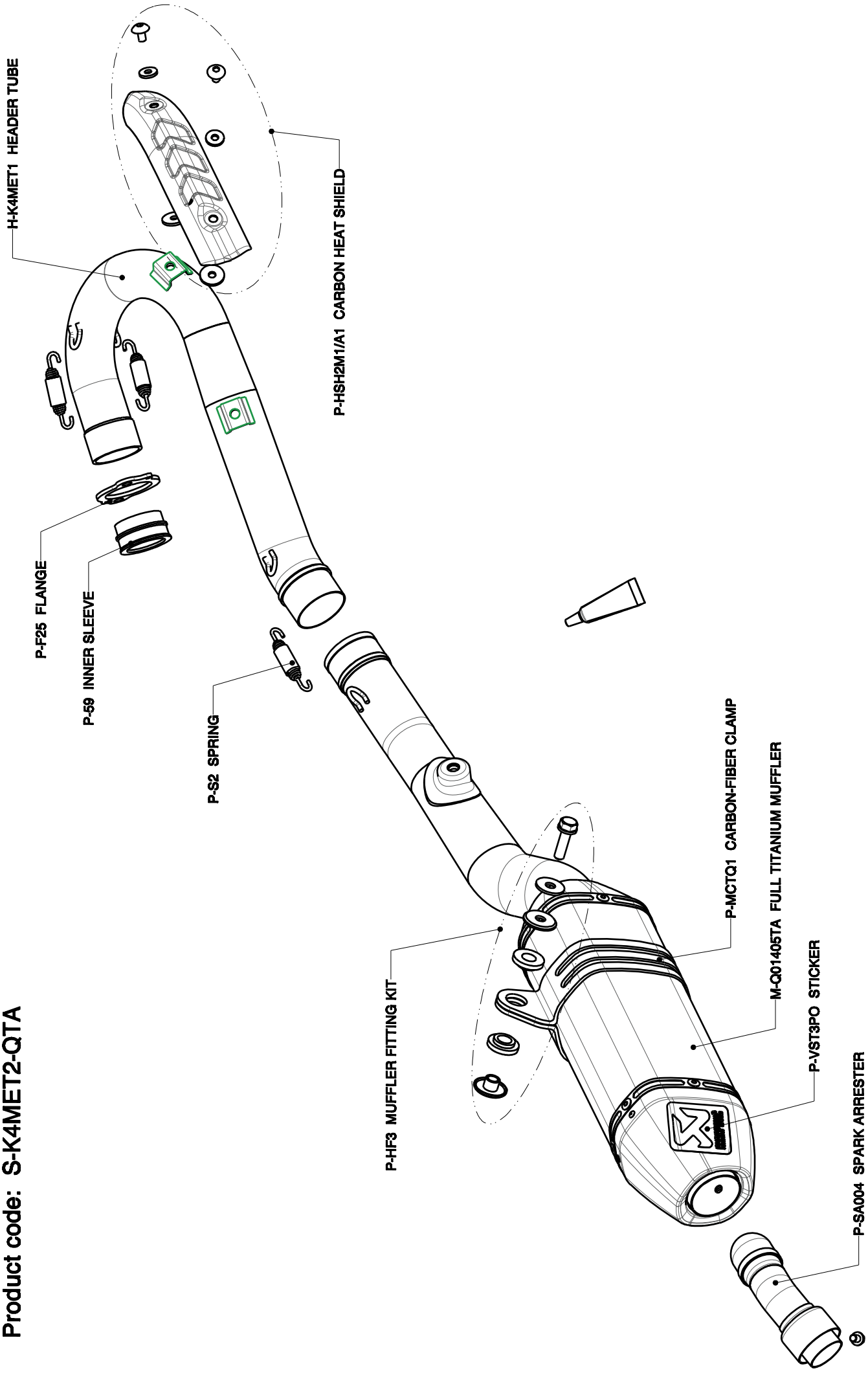
KAWASAKI KX 450 F Complete Exhaust System, Evolution line, Model Year: 2006 - 2007

Product code: S-K4MET2-QT



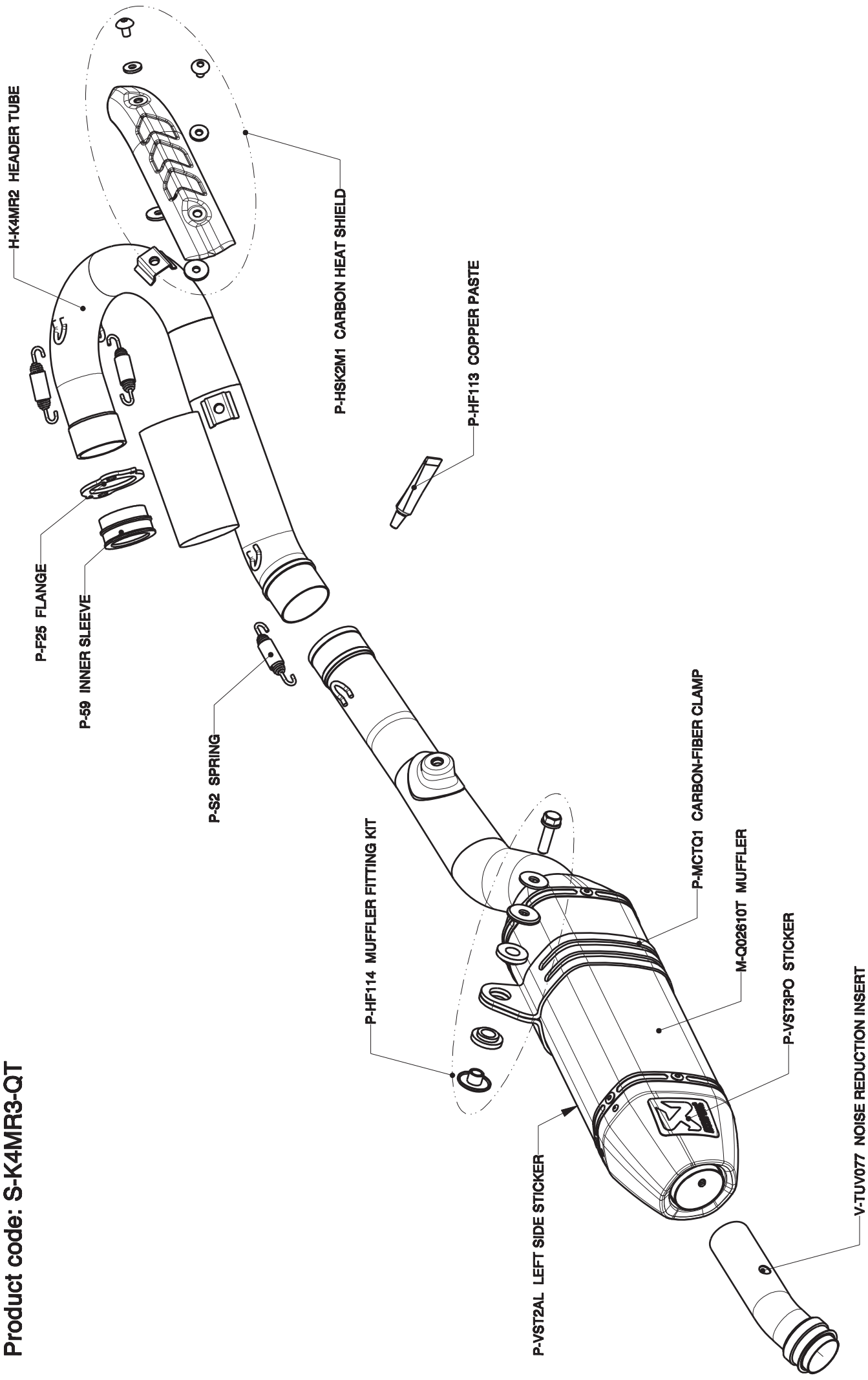
KAWASAKI KX 450 F Complete Exhaust System, Evolution line with spark arrester, Model Year: 2006 - 2007

Product code: S-K4MET2-QTA



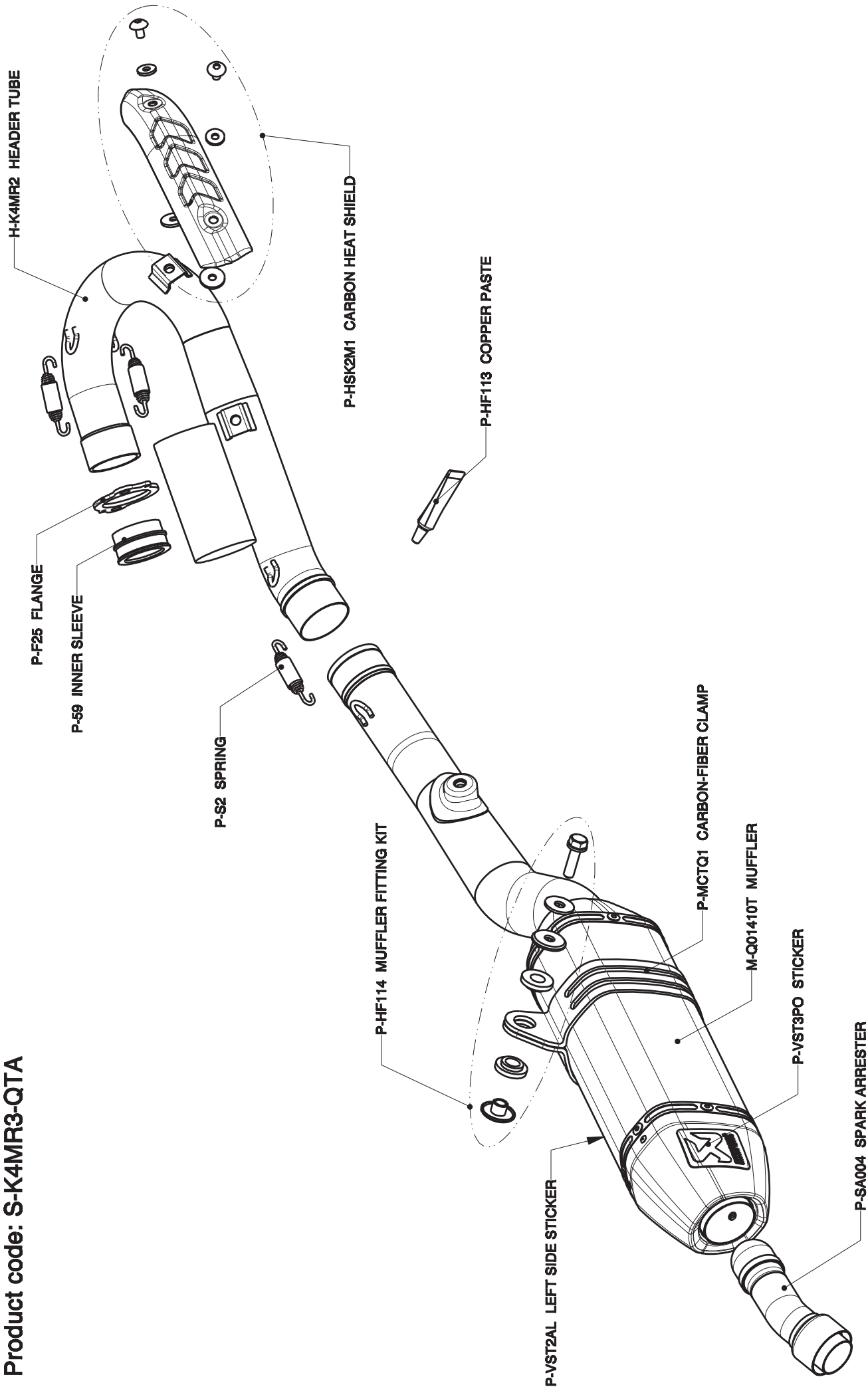
KAWASAKI KX 450 F Complete Exhaust System, Racing line, Model Year: 2008

Product code: S-K4MR3-QT



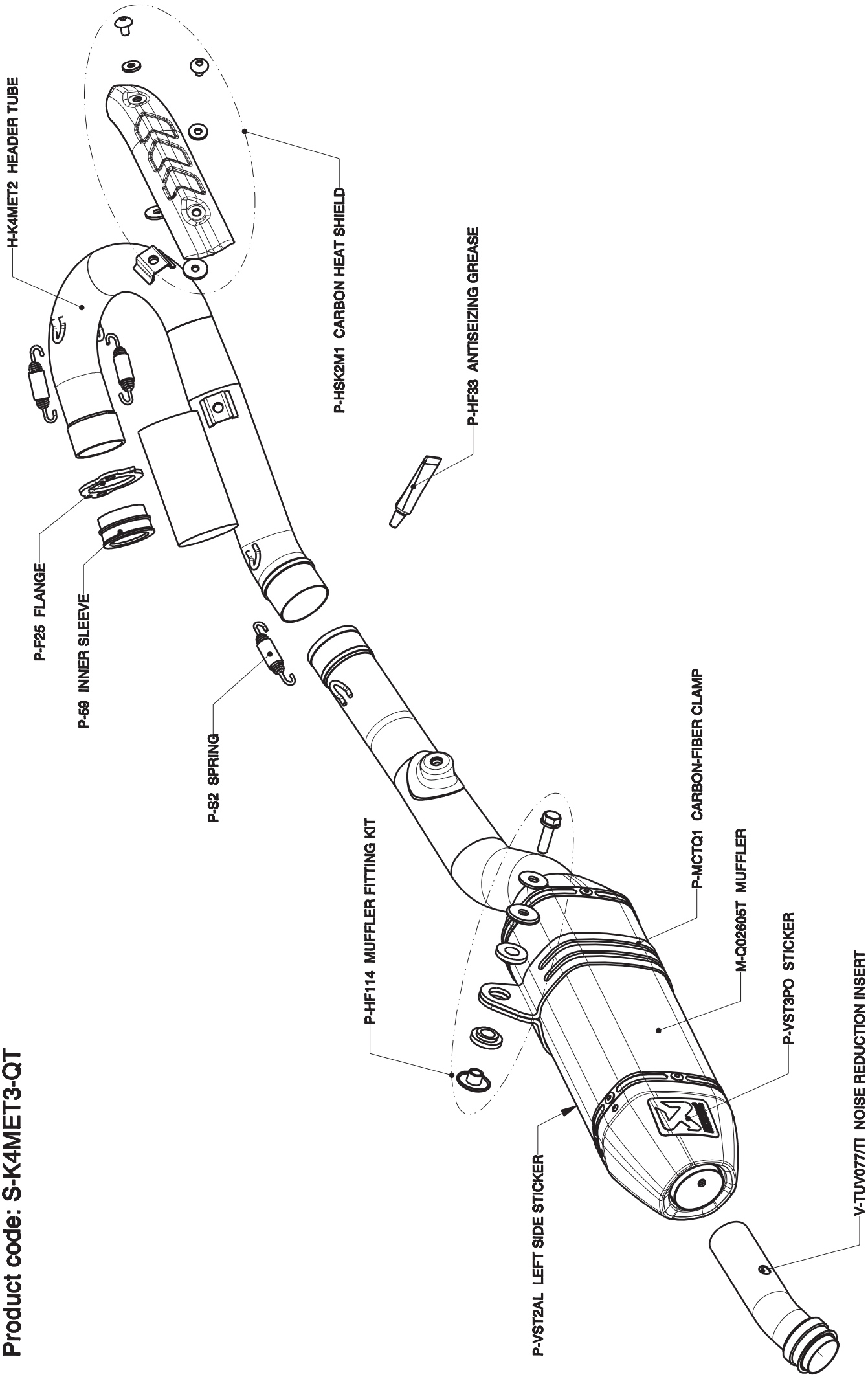
KAWASAKI KX 450 F Complete Exhaust System, Racing line with Spark Arrester, Model Year: 2008

Product code: S-K4MR3-QTA



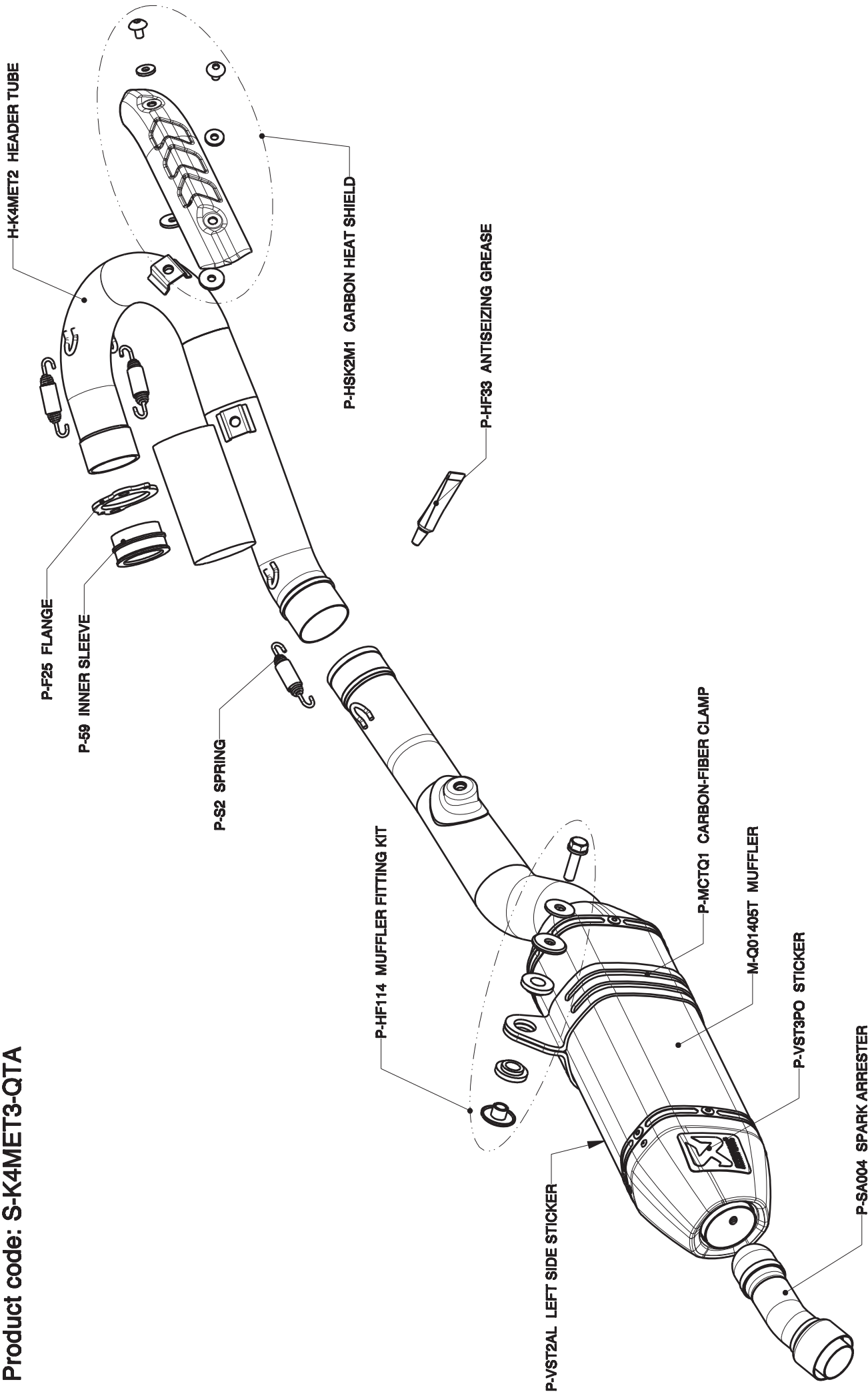
KAWASAKI KX 450 F Complete Exhaust System, Evolution line, Model Year: 2008

Product code: S-K4MET3-QT



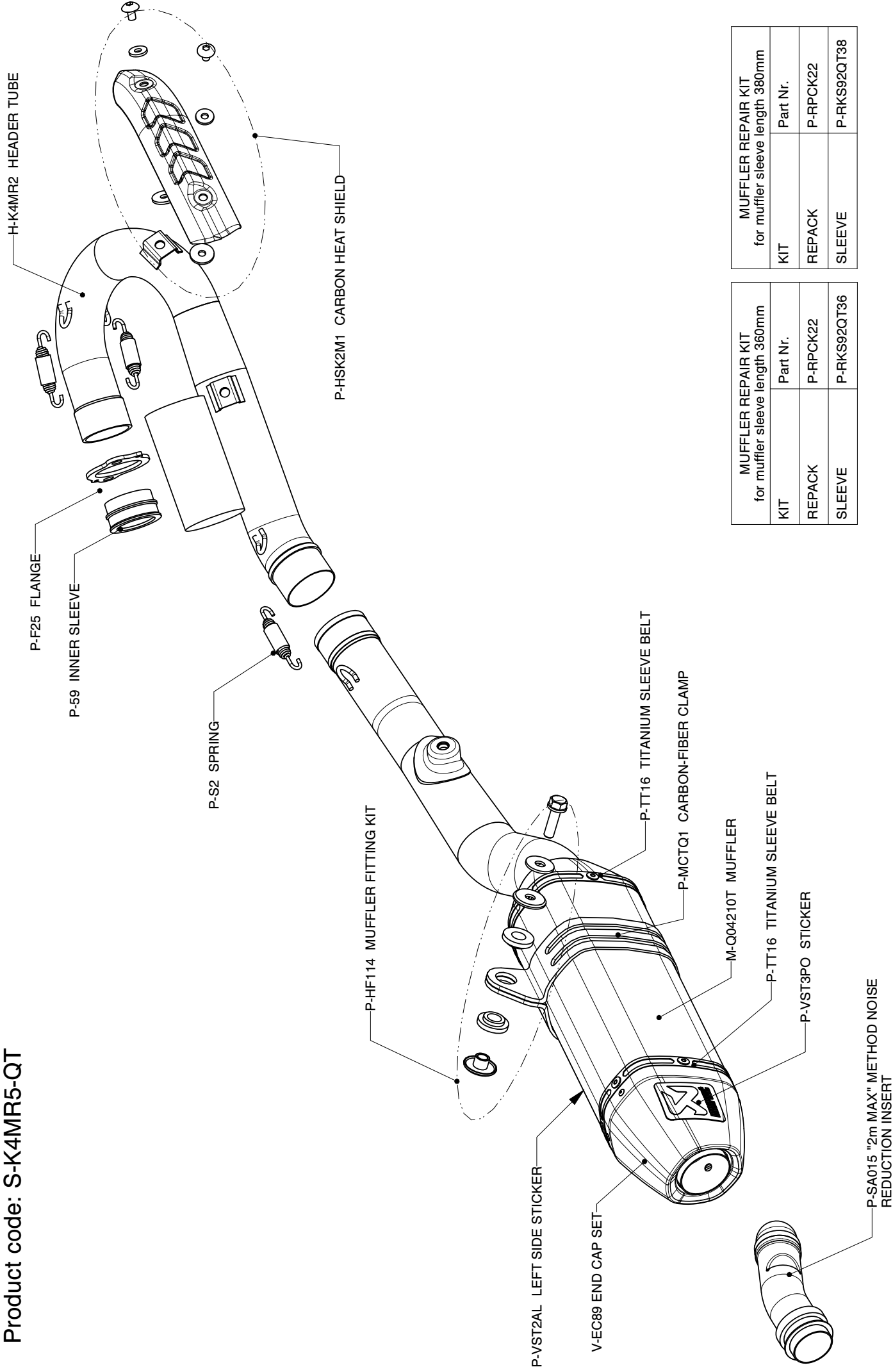
KAWASAKI KX 450 F Complete Exhaust System, Evolution line with Spark Arrester, Model Year: 2008

Product code: S-K4MET3-QTA



KAWASAKI KX 450 F Complete Exhaust System, Racing line

Product code: S-K4MR5-QT

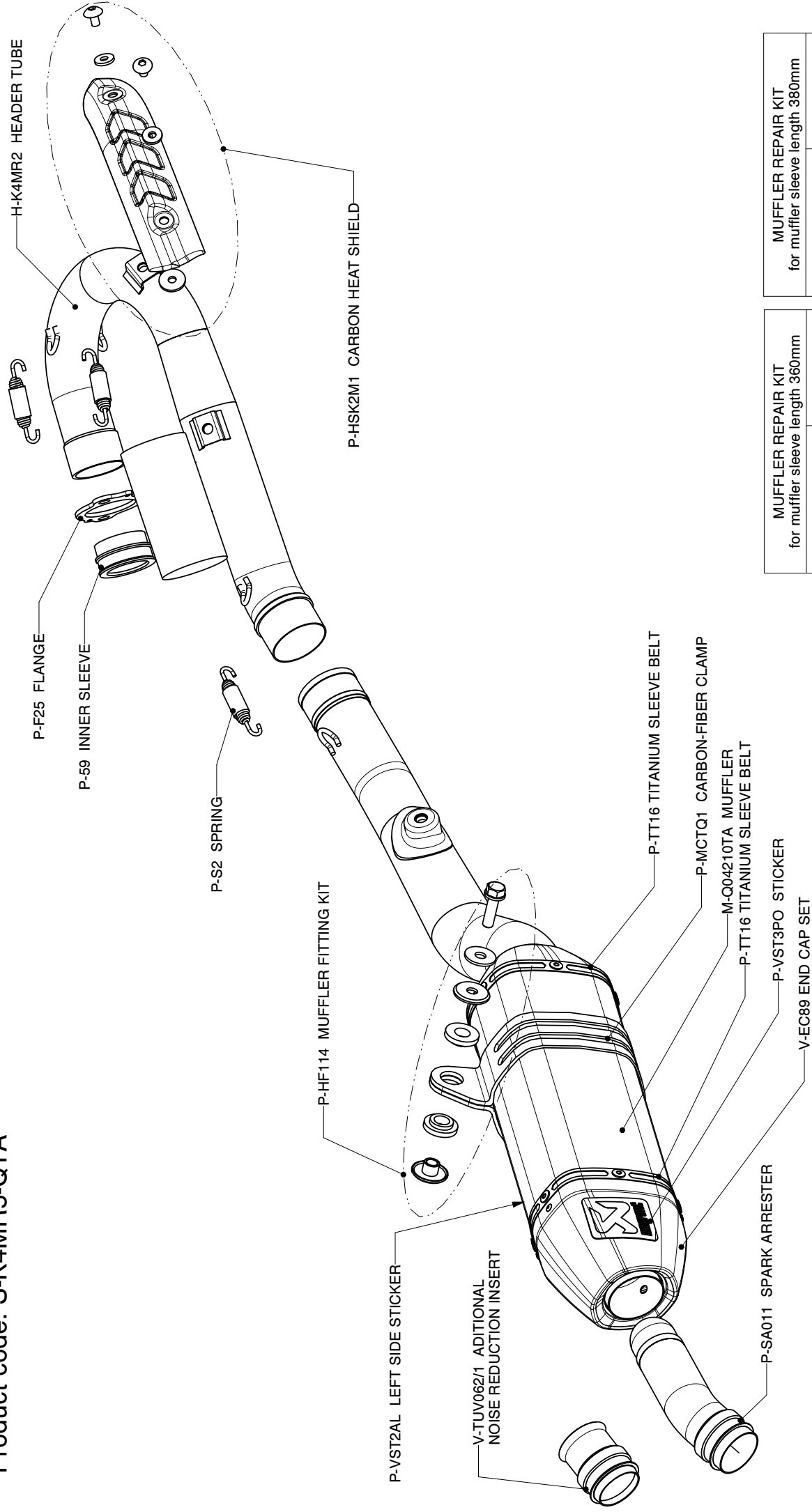


MUFFLER REPAIR KIT for muffler sleeve length 360mm	
KIT	Part Nr.
REPACK	P-RPCK22
SLEEVE	P-RKS92QT36

MUFFLER REPAIR KIT for muffler sleeve length 380mm	
KIT	Part Nr.
REPACK	P-RPCK22
SLEEVE	P-RKS92QT38

KAWASAKI KX 450 F Complete Exhaust System, Racing line with Spark Arrester

Product code: S-K4MR5-QTA

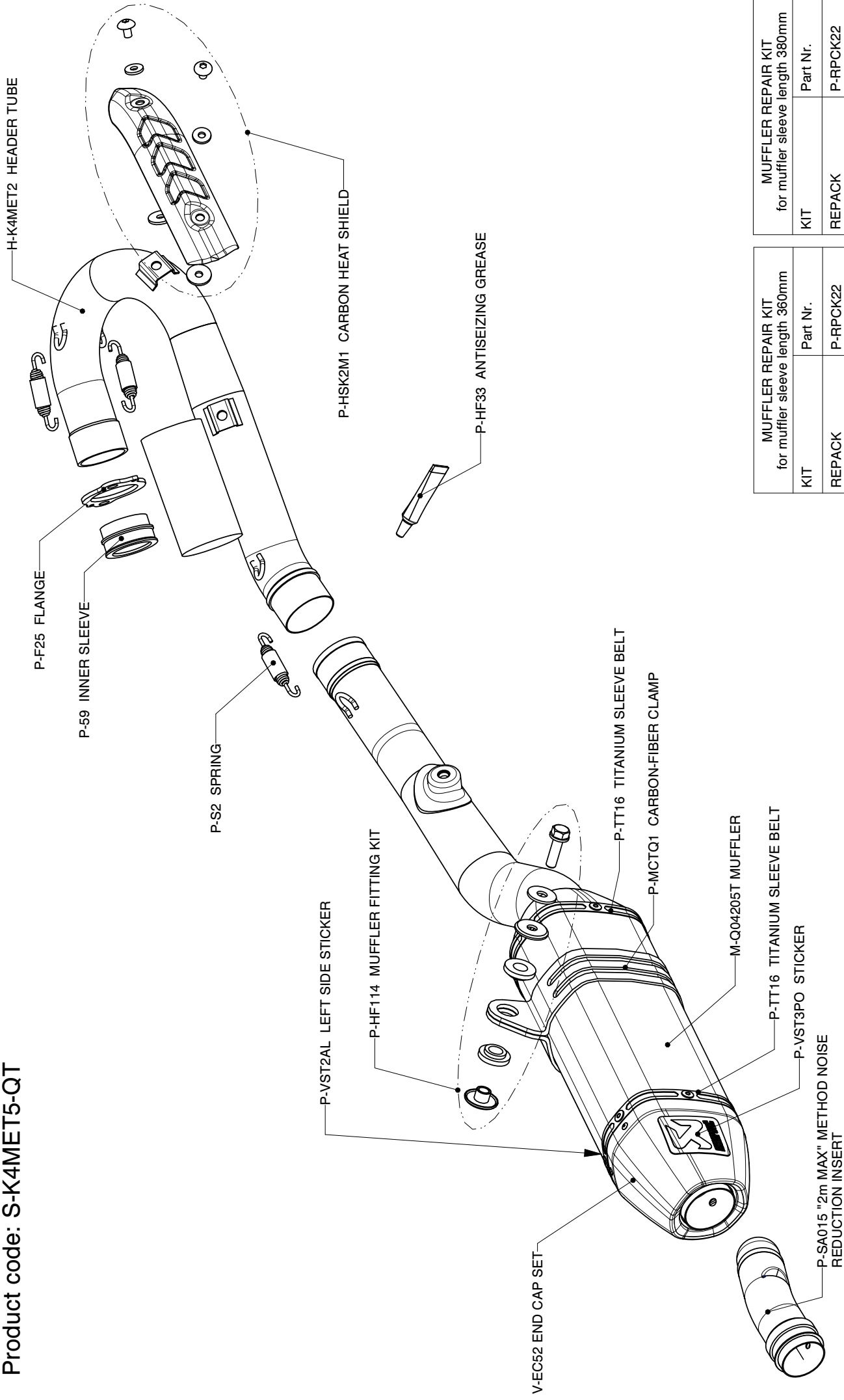


MUFFLER REPAIR KIT for muffler sleeve length 360mm	
KIT	Part Nr.
REPACK	P-RPCK22
SLEEVE	P-RKS92QT36

MUFFLER REPAIR KIT for muffler sleeve length 380mm	
KIT	Part Nr.
REPACK	P-RPCK22
SLEEVE	P-RKS92QT38

KAWASAKI KX 450 F Complete Exhaust System, Evolution line

Product code: S-K4MET5-QT

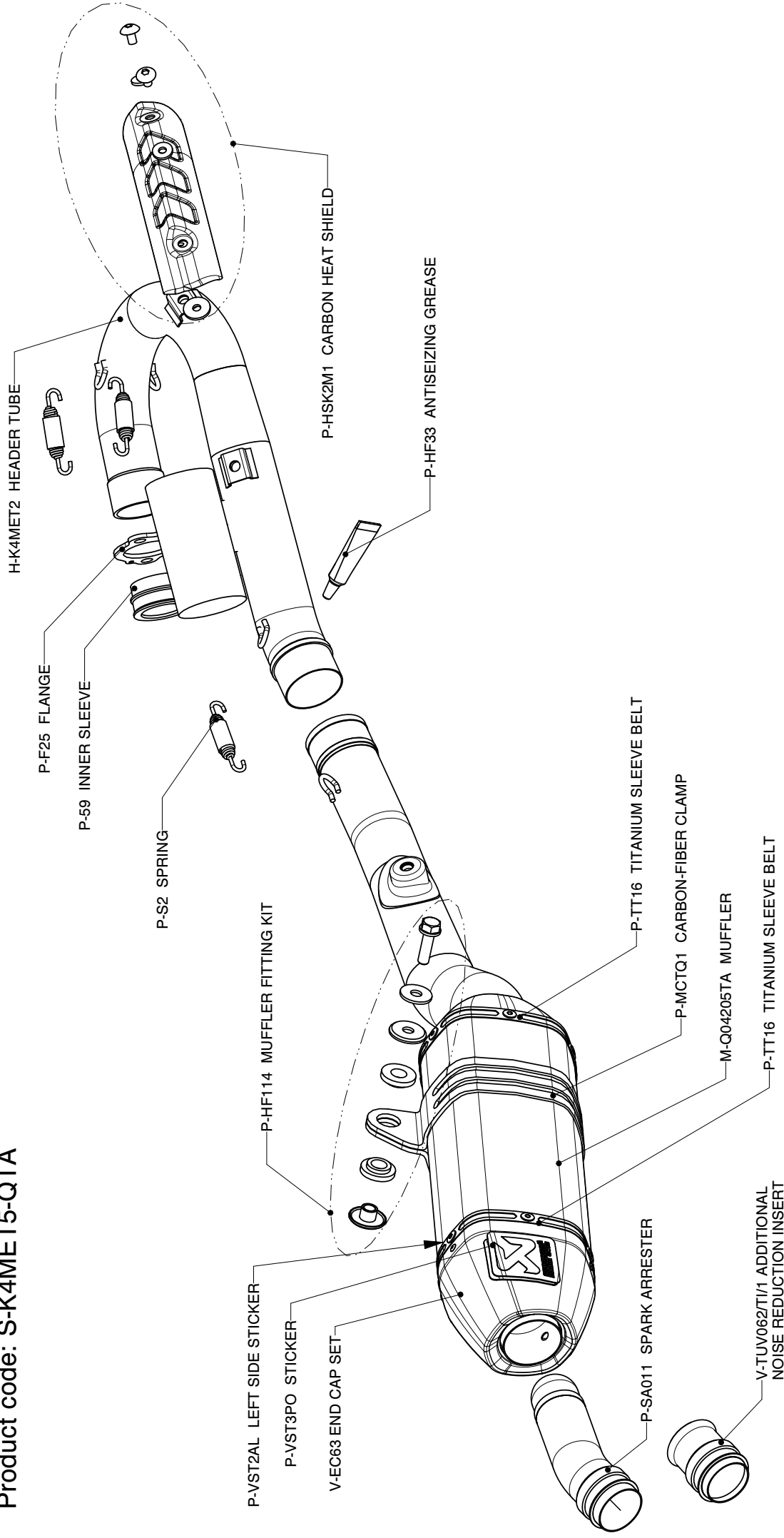


MUFFLER REPAIR KIT for muffler sleeve length 360mm	
KIT	Part Nr.
REPACK	P-RPCK22
SLEEVE	P-RKS92QT36

MUFFLER REPAIR KIT for muffler sleeve length 380mm	
KIT	Part Nr.
REPACK	P-RPCK22
SLEEVE	P-RKS92QT38

KAWASAKI KX 450 F Complete Exhaust System, Evolution line with Spark Arrester

Product code: S-K4MET5-QTA



MUFFLER REPAIR KIT for muffler sleeve length 360mm	
KIT	Part Nr.
REPACK	P-RPCK22
SLEEVE	P-RKS92QT36

MUFFLER REPAIR KIT for muffler sleeve length 380mm	
KIT	Part Nr.
REPACK	P-RPCK22
SLEEVE	P-RKS92QT38