

Installation instructions:



AKRAPOVIC SLIP-ON & SLIP-ON STREET LEGAL EXHAUST SYSTEM for the BMW R 1200 GS / ADVENTURE, HP2 (2004 - 2006)

Congratulations on purchasing an Akrapovic exhaust system. Please read these installation instructions carefully. If you have any trouble installing the system please contact your authorized dealer!

IMPORTANT INFORMATION

Exclusion of Certain Liability

1. The manufacturer, importer or dealer shall not be liable for any incidental damage including personal injury or any other damages caused by improper installation or operation of the Akrapovic exhaust system. When installing the Akrapovic exhaust system be careful that the exhaust system does not touch other parts sensitive to high temperature.
2. Akrapovic makes no representation or warranties with regard to damage caused by the improper installation, use and maintenance of the Akrapovic exhaust system. The warranty is limited to defects recognized by our technical department and to normal use, and excludes items subject to normal wear (gaskets and damping wool). The guarantee is void in case of accident, modification, improper or competition use.
3. Do not attempt to install the Akrapovic exhaust system on a motorcycle for which it was not made or tested by Akrapovic.
4. When the exhaust system gets very hot during operation, be careful not to burn yourself on the exhaust system or parts which are in direct contact with it, even when the motor is not running. Also protect other people, especially children, from the injuries mentioned above.
5. In some cases Akrapovic exhaust system kits contain chemical products (ceramic anti-seizing grease; bolt sealant). Handle with care, do not inhale or swallow. Avoid excessive contact with skin, eyes or mucous membranes. Keep out of reach of children.
6. Technical specifications of Akrapovic exhaust systems and related products subject to change without notice.

Trademarks

The Akrapovic Exhaust System Technology logo is a registered trademark of Akrapovic d.d.

Akrapovic website

Information about Akrapovic exhaust systems and related products is available on the Akrapovic website at:
<http://www.akrapovic-exhaust.com/>

Copyright

No part of the Akrapovic exhaust system or its documentation may be reproduced or distributed in any form or by any means without the prior written authorization of the Akrapovic company.

© Akrapovic d.d. All rights reserved.


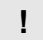



Symbols

The following symbols are used throughout these installation instructions:

! CAUTION OR WARNING

🔧 INSTALLATION TIP

INSTALLATION INSTRUCTIONS

- | | |
|-----------------------------------------------------------------------------------|-------------------------------------------------------------------------------------------------------------------------------------------------------------------------------------|
|  | BEFORE INSTALLING CHECK SCHEMATIC OF THE EXHAUST SYSTEM! |
|  | IF ANY ITEMS IN THE AKRAPOVIC EXHAUST SYSTEM PACKAGE ARE MISSING PLEASE CONTACT YOUR AUTHORIZED DEALER. KEEP THE SCHEMATIC FOR FUTURE REFERENCE. |
|  | THESE INSTALLATION INSTRUCTIONS MUST BE READ CAREFULLY IN ORDER TO ENSURE PROPER INSTALLATION AND OPERATION OF THE AKRAPOVIC EXHAUST SYSTEM. |
|  | THE EXHAUST SYSTEM CAN BE EXTREMELY HOT. ALLOW THE MOTORCYCLE TO COOL DOWN BEFORE BEGINNING INSTALLATION. |
|  | WE ADVISE YOU TO LEAVE INSTALLATION TO A QUALIFIED SERVICEMAN. IMPROPER INSTALLATION MAY RESULT IN A SHORTER LIFETIME OF THE EXHAUST SYSTEM AND/OR DAMAGE TO THE MOTORCYCLE. |

REMOVAL OF STOCK EXHAUST SYSTEM

1. put the motorcycle on a side / main stand
2. **for R 1200 GS model:** unscrew the bolt from the metal clamp at the muffler/ link pipe - collector joint (**Figure 1**)
for HP2 model: undo the spring at the muffler/ link pipe - collector joint (**Figure 1a**)
3. unscrew the bolt from the muffler metal clamp and remove the muffler (**Figure 2, 2a, 3, 3a**)
4. **for R 1200 GS model:** unscrew the bolt of the heat shield from the link pipe and remove the heat shield (**Figure 4**)

INSTALLATION OF THE AKRAPOVIC SLIP-ON EXHAUST SYSTEM



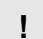
installing the independent link pipe with welded muffler:

1. **for R 1200 GS model:** correctly position and install heat distance washers onto Akrapovic link pipe (**Figure 5**) (rubber stopper for the main stand is already installed onto the Akrapovic link pipe)
for HP2 model: correctly position and install heat distance washers onto Akrapovic carbon-fiber heat shield (**Figure 5a, 5b**)
2. **for R 1200 GS model:** correctly position and install stock heat shield onto Akrapovic link pipe (**Figure 6**)
for HP2 model: correctly position and install Akrapovic carbon-fiber heat shield onto Akrapovic link pipe (**Figure 6a**)
3. **for R 1200 GS model:** coat the bolt and interior of the metal clamp with Akrapovic anti-seize lead-free copper paste (black tube) and correctly install the metal clamp onto the link pipe (**Figure 7**)
4. **for R 1200 GS & HP2 model:** correctly position and slide the Akrapovic link pipe / muffler onto the stock collector (**Figure 8, 8a**)
5. **for R 1200 GS model:** correctly install the stock metal clamp and hand tighten the bolt of the stock metal clamp (**Figure 9**)
for HP2 model: correctly position and attach the spring at the link pipe – stock collector joint (**Figure 9a**)
6. **for R 1200 GS & HP2 model:** correctly position the carbon-fiber clamp and slide it onto the muffler, bear in mind the **right offset** of the carbon-fiber clamp viewed from the rear **WARNING:** open the clamp to slightly wider than the diameter of the outer sleeve of the muffler – do not scrape it along the muffler outer sleeve! (**Figure 10, 10a**)
7. **for R 1200 GS & HP2 model:** tighten the carbon-fiber clamp onto the stock chassis hanging bracket on the frame - use the bolt and washers supplied in the Akrapovic kit. Do not fully tighten. Make sure the additional parts from the Akrapovic kit are correctly installed. (**Figure 11, 11a**)
8. **for R 1200 GS & HP2 model:** check the position of the Akrapovic Slip-on system
9. make sure the muffler is not touching other parts of the motorcycle
10. **for R 1200 GS & HP2 model:** tighten fully the Akrapovic carbon-fiber clamp (**Figure 12, 12a**)

final installation:

1. **for R 1200 GS model:** tighten fully the metal clamp at the link pipe – stock collector joint (**Figure 13**)
2. clean grease spots:
 - a. muffler – titanium outer sleeve: use a soft cloth sprayed with a multi-purpose spray lubricant (WD-40 or equivalent)
 - b. muffler – carbon-fiber outer sleeve: use a soft dry cloth
 - c. stainless steel link pipe: use a soft cloth sprayed with a contact cleaner, then wipe with a soft dry cloth
 - d. titanium link pipe: use a soft cloth sprayed with a multi-purpose spray lubricant (WD-40 or equivalent)Cleaning will prevent spots from burning onto the surface. Do not use aggressive chemical cleaners, because they can damage the sticker.
3. position of the installed Akrapovic Slip-on system (**Figure 14, 15**)

Check the operation of the brakes and suspension. Make sure all the bolts are sufficiently tightened. In case the exhaust system touches the cowling or other parts repeat the adjustment of the exhaust system or contact your authorized dealer.

- | | |
|-------------------------------------------------------------------------------------|-----------------------------------------------------------------------------------------------------------------------------------------|
|  | IT IS NORMAL IF WHITE SMOKE COMES OUT OF THE MUFFLER ON FIRST OPERATION. |
|  | DO NOT STAND BEHIND THE MUFFLER ON FIRST OPERATION. |
|  | DO NOT USE AUTOMOTIVE WHEEL CLEANERS OR ANY CLEANING PRODUCTS WHICH CONTAIN ACIDIC ADDITIVES TO CLEAN AKRAPOVIC EXHAUST SYSTEMS. |

MAINTENANCE OF THE AKRAPOVIC EXHAUST SYSTEM

1. Clean the titanium muffler outer sleeve with a multi-purpose spray lubricant (WD-40 or equivalent) and carbon fiber outer sleeve with soft and dry cloth. Do not use aggressive chemical cleaners, because they can damage the sticker. A change in the color of the exhaust system is normal due to the high temperatures.
2. The wearing out of the muffler silencing material depends on the type of the motor and riding style. Contact your dealer/serviceman if visible changes appear on muffler's outer sleeve or the noise level is increased.
3. Periodically ensure that all the bolts and springs are sufficiently tight.

Photos:



Figure 1



Figure 1a



Figure 2



Figure 2a



Figure 3



Figure 3a



Figure 4



Figure 5



Figure 5a



Figure 5b



Figure 6



Figure 6a



Figure 7



Figure 8



Figure 8a



Figure 9



Figure 9a



Figure 10



Figure 10a



Figure 11

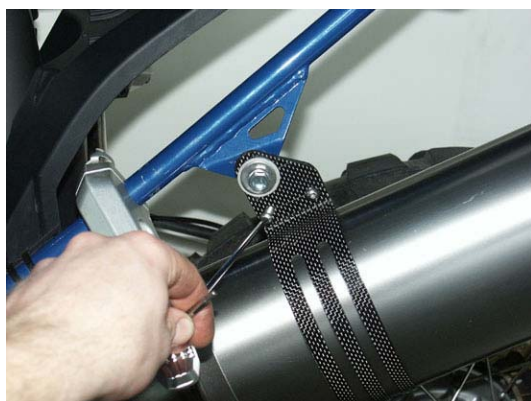


Figure 11a



Figure 12



Figure 12a



Figure 13



Figure 14

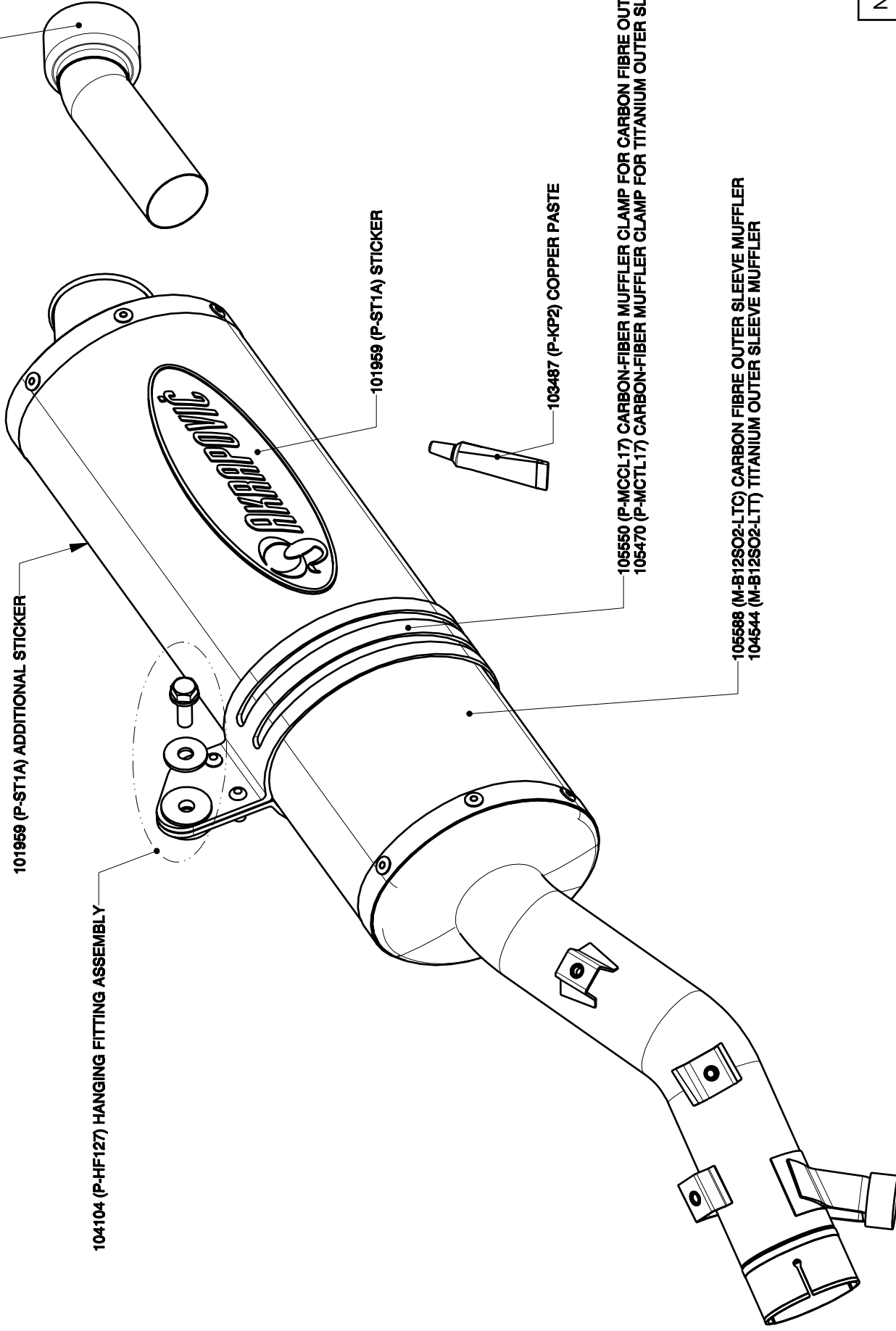


Figure 15

BMW R1200GS / R1200GS ADVENTURE, Slip on system, open, model year: 2004 - 2006

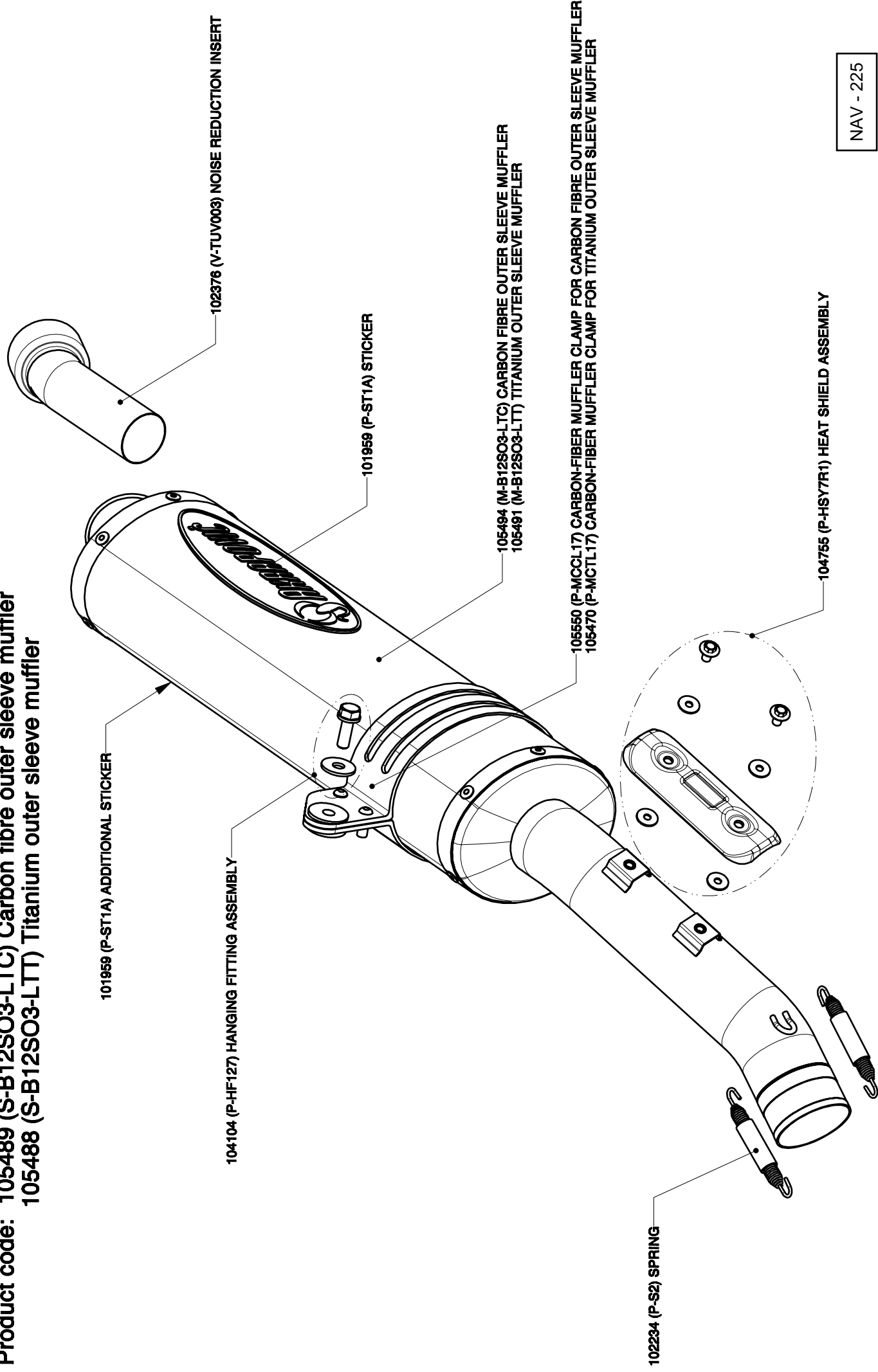
**Product code: 105587 (S-B12SO2-LTC) Carbon fibre outer sleeve muffler
104546 (S-B12SO2-LTT) Titanium outer sleeve muffler**

102376 (V-TUV03) NOISE REDUCTION INSERT



BMW HP2 Enduro Slip on system, open, model year: 2005, 2006

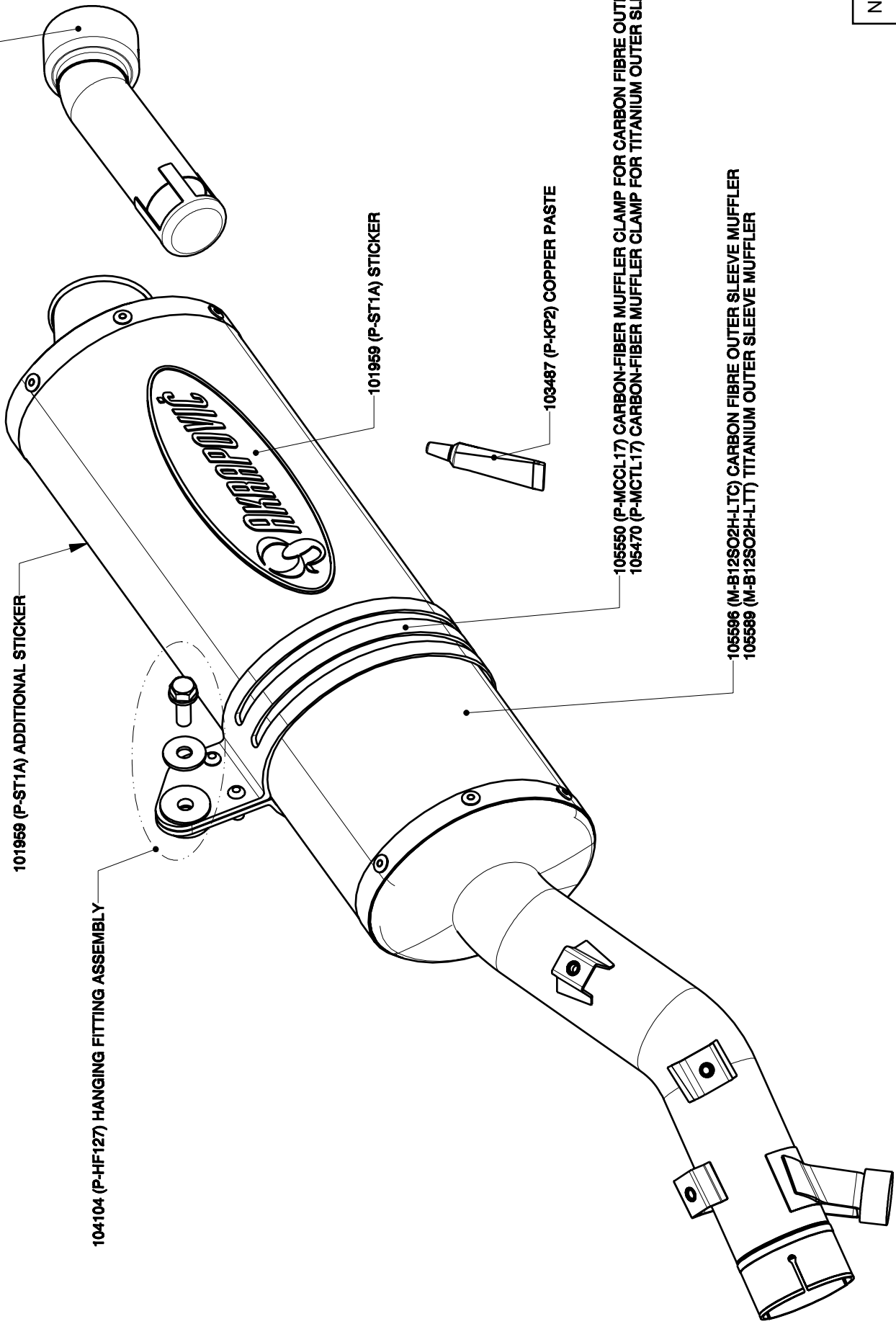
**Product code: 105489 (S-B12SO3-LTC) Carbon fibre outer sleeve muffler
105488 (S-B12SO3-LTT) Titanium outer sleeve muffler**



BMW R1200GS / R1200GS ADVENTURE, Slip on system, street legal, model year: 2004 - 2006

**Product code: 105593 (S-B12SO2-HLTC) Carbon fibre outer sleeve muffler
105592 (S-B12SO2-HLTT) Titanium outer sleeve muffler**

105456 (V-TUV048) NOISE REDUCTION INSERT



101959 (P-ST1A) ADDITIONAL STICKER

104104 (P-HF127) HANGING FITTING ASSEMBLY

101959 (P-ST1A) STICKER

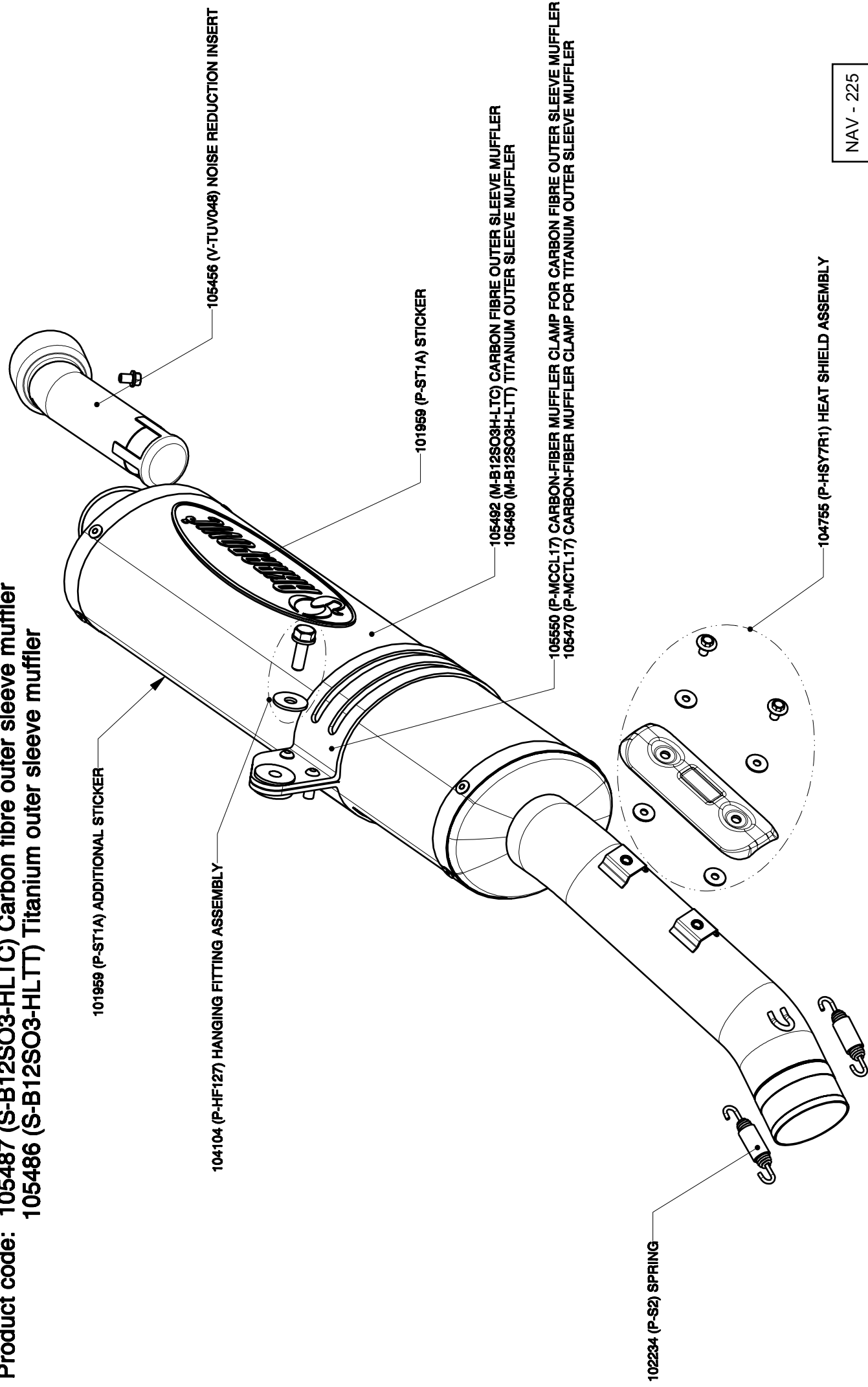
103487 (P-KP2) COPPER PASTE

105550 (P-MCCL17) CARBON-FIBER MUFFLER CLAMP FOR CARBON FIBRE OUTER SLEEVE MUFFLER
105470 (P-MCTL17) CARBON-FIBER MUFFLER CLAMP FOR TITANIUM OUTER SLEEVE MUFFLER

105596 (M-B12SO2H-LTC) CARBON FIBRE OUTER SLEEVE MUFFLER
105598 (M-B12SO2H-LTT) TITANIUM OUTER SLEEVE MUFFLER

BMW HP2 Enduro Slip on system, street legal, model year: 2005, 2006

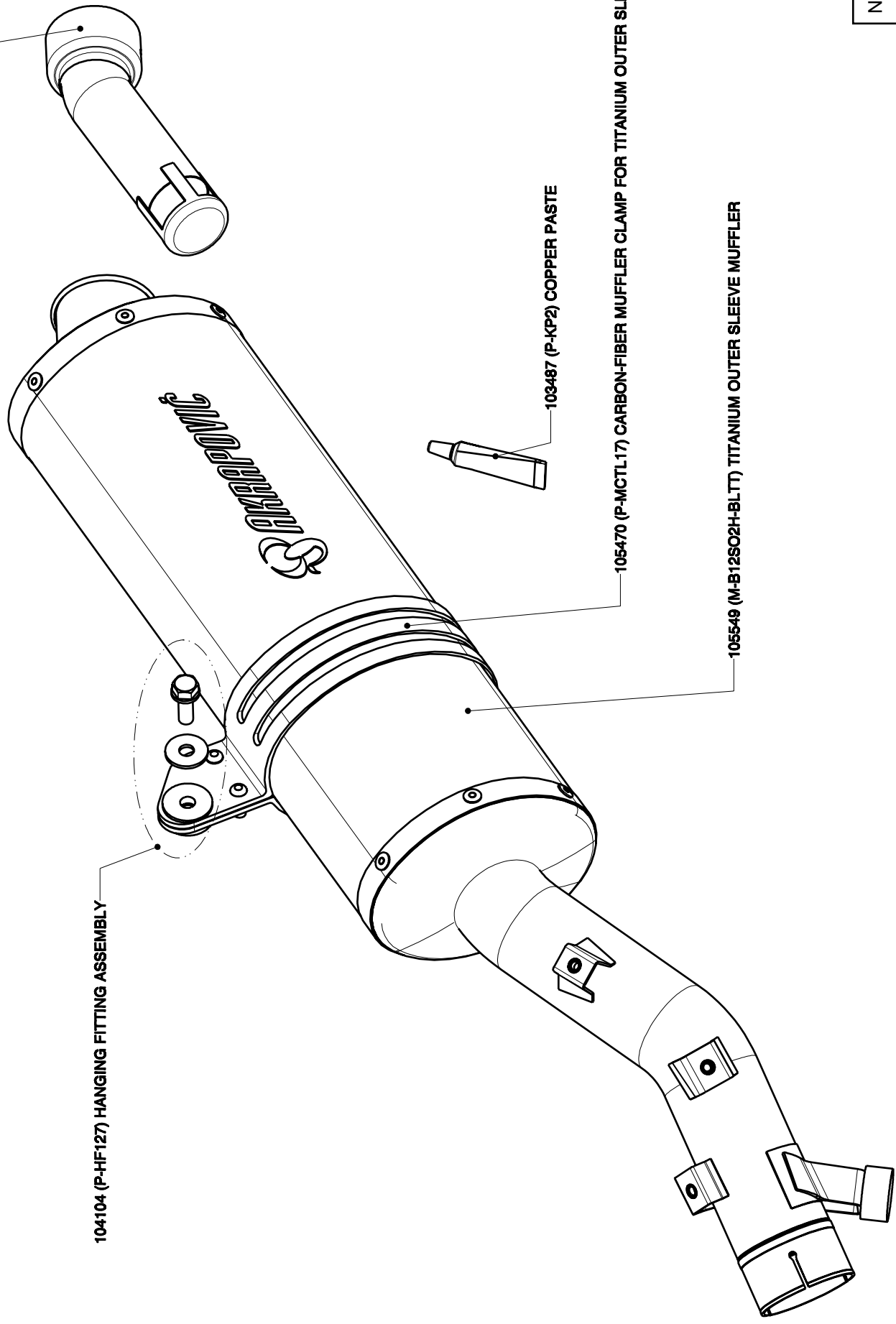
**Product code: 105487 (S-B12SO3-HLTC) Carbon fibre outer sleeve muffler
105486 (S-B12SO3-HLTT) Titanium outer sleeve muffler**



BMW R1200GS / R1200GS ADVENTURE, Slip on system, street legal, factory BMW, model year: 2004 - 2006

Product code: 105548 (S-B12SO2-HBLTT) Titanium outer sleeve muffler

105456 (V-TUV048) NOISE REDUCTION INSERT



BMW HP2 Enduro Slip on system, street legal for BMW, model year: 2005, 2006

Product code: 105208 (S-B12SO3-HBLTT)

