



KAWASAKI Z750R

SLIP-ON STREET LEGAL EXHAUST SYSTEM

KAWASAKI Z750R

SLIP-ON STREET LEGAL EXHAUST SYSTEM

DESCRIPTION

The dynamic, bold looking roadster offers a great tuning platform for motorcyclists who desire something special. Our sporty and lightweight SLIP-ON system offer a great balance between price and performance and represent the first step in the exhaust system tuning process.

The hexagonal shaped muffler outer sleeve is made of titanium, which gives a special hi-tech touch to our SLIP-ON system. We offer only a street legal version with valve and removable noise damper.

PERFORMANCE

Measurements of the Akrapovic SLIP-ON street legal system on the Kawasaki Z 750 R (without noise damper):

The Akrapovic SLIP-ON system will deliver a big power and torque increase from a simple modification. Power output is smoother over the entire rpm range. We measured a max. power increase of 2.5 HP at 10800 rpm. The torque is increased over the entire rpm range, which is exceptionally useful for more comfortable and smooth riding. With our SLIP-ON systems you will also save more than 3 kg in comparison with the stock mufflers.



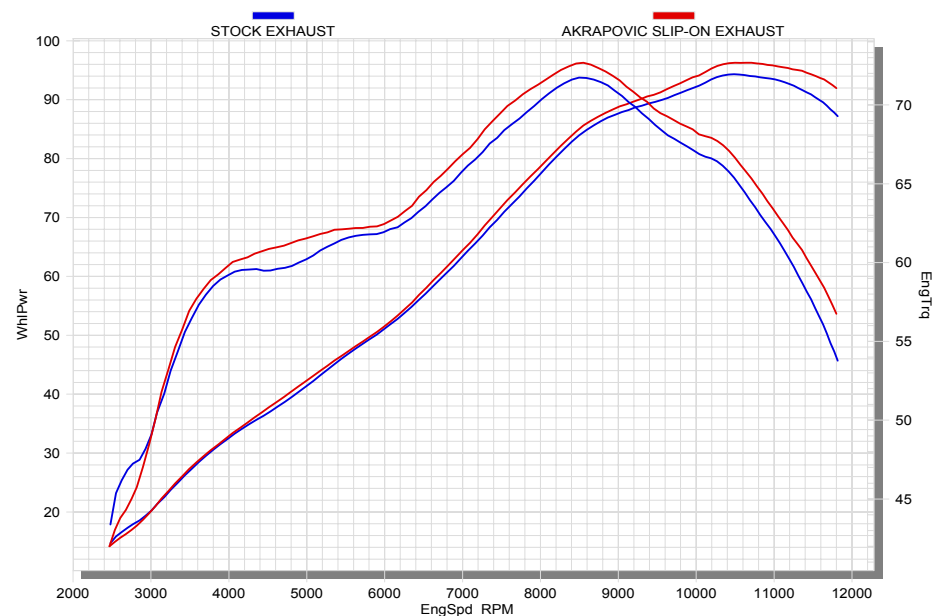
PERFORMANCE			
	stock	AKRAPOVIC	max. increased power
max. rear wheel power HP / rpm (measured on SuperFlow Cycle Dyn)	94.3/10490	96.3/10500	2.5/10800

ADDITIONAL DATA					
weight comparison (kg)	stock	AKRAPOVIC		difference	
	6.04	SS link pipe	TITANIUM link pipe	stock - S.S.	stock - TITANIUM
		2.93	-	3.11	-

noise measurements (dB / rpm)	stock	AKRAPOVIC
	96 / 5250	96 / 5250
legal for street use	YES	

Technical specifications of Akrapovic exhaust systems and related products subject to change without notice.

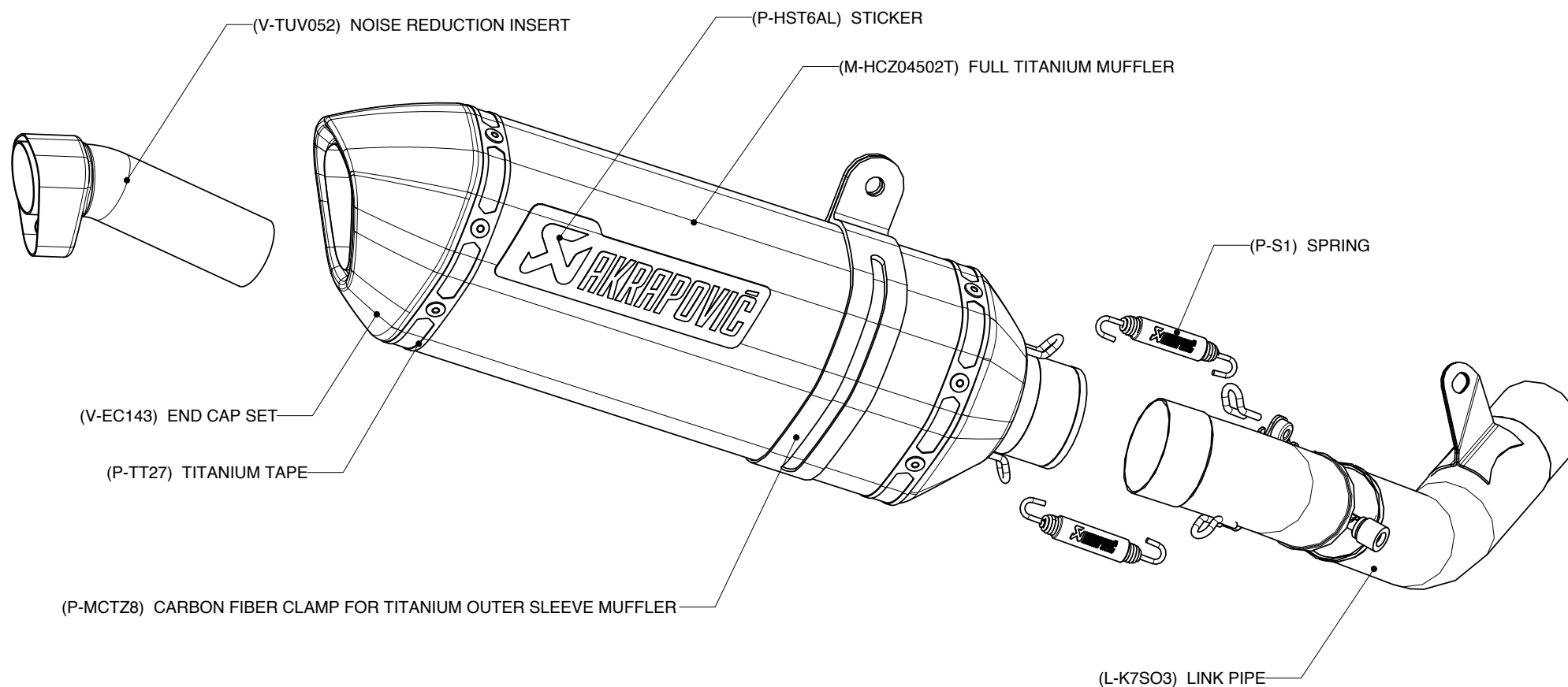
Product code: S-K7SO4-HZT



www.akrapovic.com

Akrapovic d.d. 2010 all rights reserved

23.10.2010



MUFFLER REPAIR KITS	
KIT	Part Nr.
REPACK	P-RPCK42
SLEEVE	P-RKS302ZT30