



Racing Line (Titanium)

Product code: **S-K10R6-ZT/3**

MSRP ex. VAT:

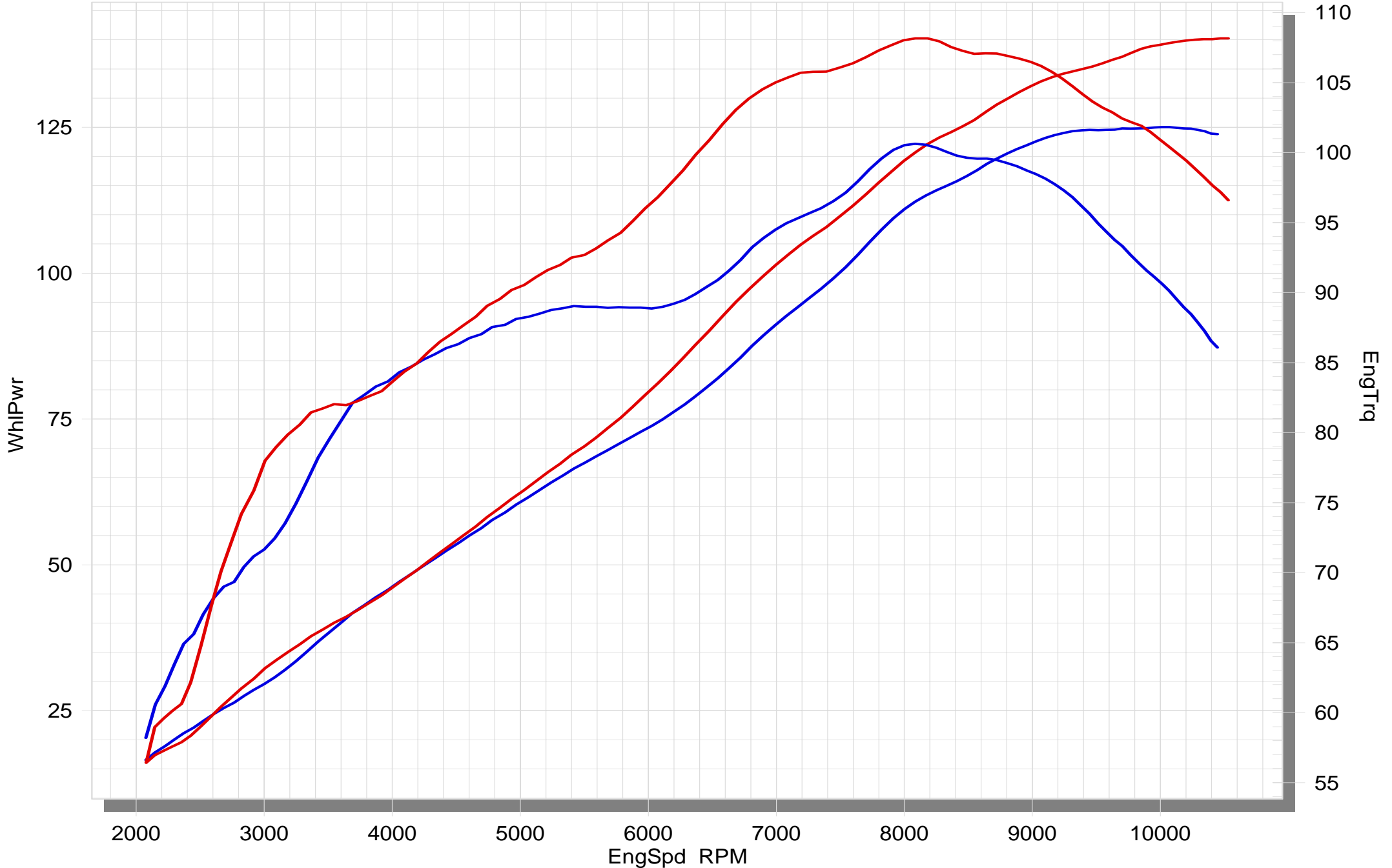
**Alternative combination of matching components to suit specific visual or performance needs.
Racing headers with EC type approved silencer.
Double silencer system.**

TECHNICAL DATA	UNIT	STOCK	AKRAPOVIČ	MAX. GAIN
maximum power	kW	91.9 at 10000 rpm	103.2 at 10470 rpm	+ 11.9 at 10400 rpm
	HP (m)	125 at 10000 rpm	140.3 at 10470 rpm	+ 16.2 at 10400 rpm
	HP (i)	123.3 at 10000 rpm	138.4 at 10470 rpm	+ 16 at 10400 rpm
maximum torque	Nm	100.6 at 8080 rpm	108.2 at 8080 rpm	+ 10.4 at 7180 rpm
	lb-ft	74.2 at 8080 rpm	79.8 at 8080 rpm	+ 7.7 at 7180 rpm
weight	kg	14.9	5	- 9.9
	lb	32.8	32.8	- 21.8
static noise level	dB	92	97	+ 5
	rpm	4800	4800	0

KAWASAKI Z1000SX

STOCK EXHAUST

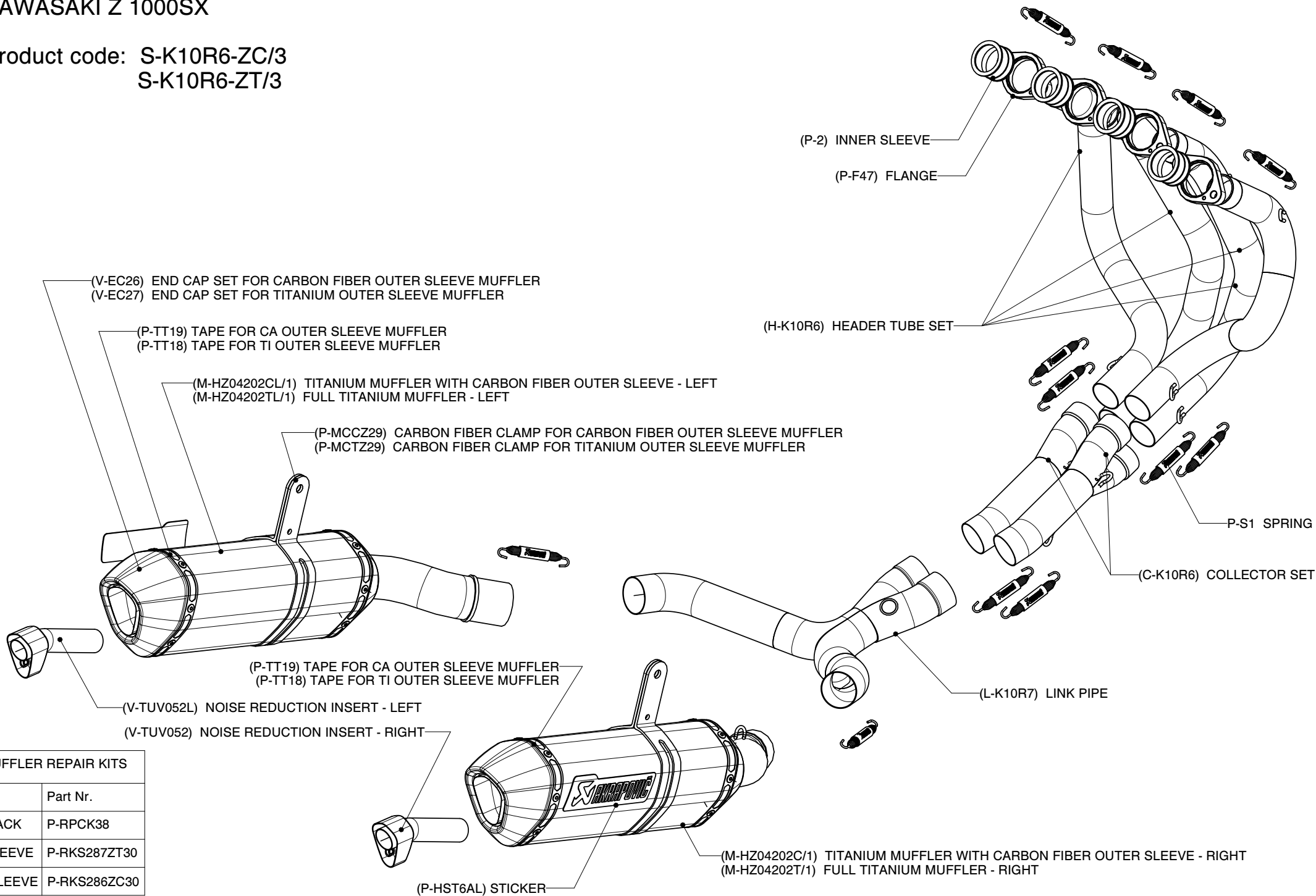
AKRAPOVIC COMPLETE EXHAUST



WARNING! IN CASE OF COMBINATION WITH RACING LINE TUBE SET, THE SLIP-ON HOMOLOGATION IS NOT VALID!

**KAWASAKI Z 1000 / RACING LINE with Slip-on street legal mufflers, fits on Z1000SX with side cases / OPEN
KAWASAKI Z 1000SX**

**Product code: S-K10R6-ZC/3
S-K10R6-ZT/3**



MUFFLER REPAIR KITS

KIT	Part Nr.
REPACK	P-RPCK38
Ti SLEEVE	P-RKS287ZT30
Ca SLEEVE	P-RKS286ZC30