



KAWASAKI Z1000 / Z1000SX

SLIP-ON STREET LEGAL EXHAUST SYSTEM

KAWASAKI Z1000 / Z100SX

SLIP-ON STREET LEGAL EXHAUST SYSTEM

DESCRIPTION

The dynamic, bold looking sport touring Kawasaki offers a great tuning platform for motorcyclists who desire something special. Our sporty and lightweight SLIP-ON systems offer a great balance between price and performance and represent the first step in the exhaust system tuning process.

The hexagonal shaped muffler outer sleeve is made of titanium or carbon-fiber, which gives a special hi-tech touch to our SLIP-ON system. We also offer an open and a street legal version. Slip-On street legal systems are compatible with all Kawasaki cases.

PERFORMANCE

Measurements of the Akrapovic SLIP-ON street legal system on the Kawasaki Z1000 / Z100SX (with noise damper):

The Akrapovic SLIP-ON system will deliver a big power and torque increase from a simple modification. Power output is smoother over the entire rpm range. We measured a max. power increase of 7 HP at 10200 rpm. The torque is increased over the entire rpm range, which is exceptionally useful for more comfortable and smooth riding. With our SLIP-ON systems you will also save more than 4 kg in comparison with the stock mufflers.



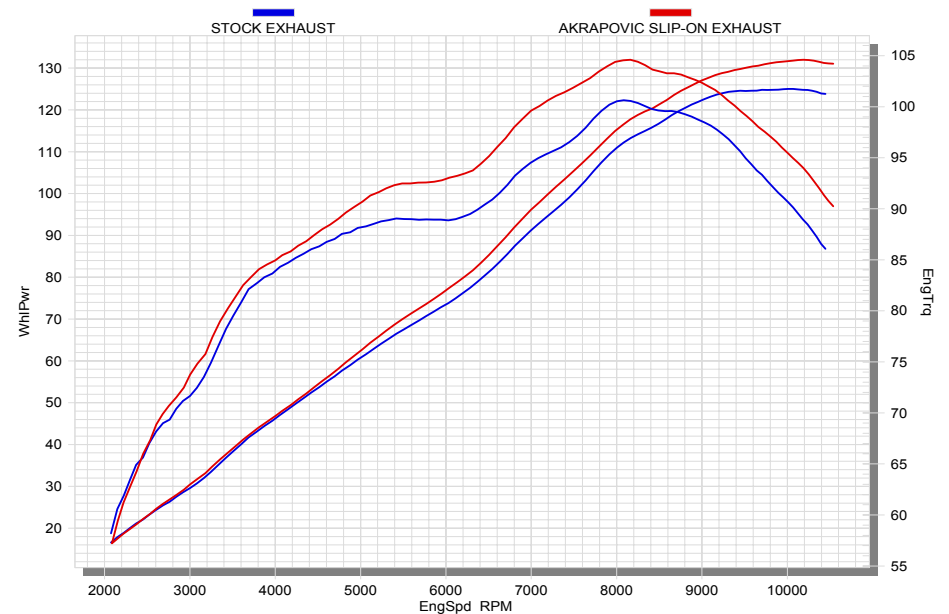
PERFORMANCE			
	stock	AKRAPOVIC	max. increased power
max. rear wheel power HP / rpm (measured on SuperFlow Cycle Dyn)	125.0/10000	132/10200	7/10200

ADDITIONAL DATA					
weight comparison (kg)	stock	AKRAPOVIC		difference	
	7.63	SS link pipe	TITANIUM link pipe	stock - S.S.	stock - TITANIUM
		3.26	-	4.37	-

noise measurements (dB / rpm)	stock	AKRAPOVIC
		92 / 4800
legal for street use	YES	

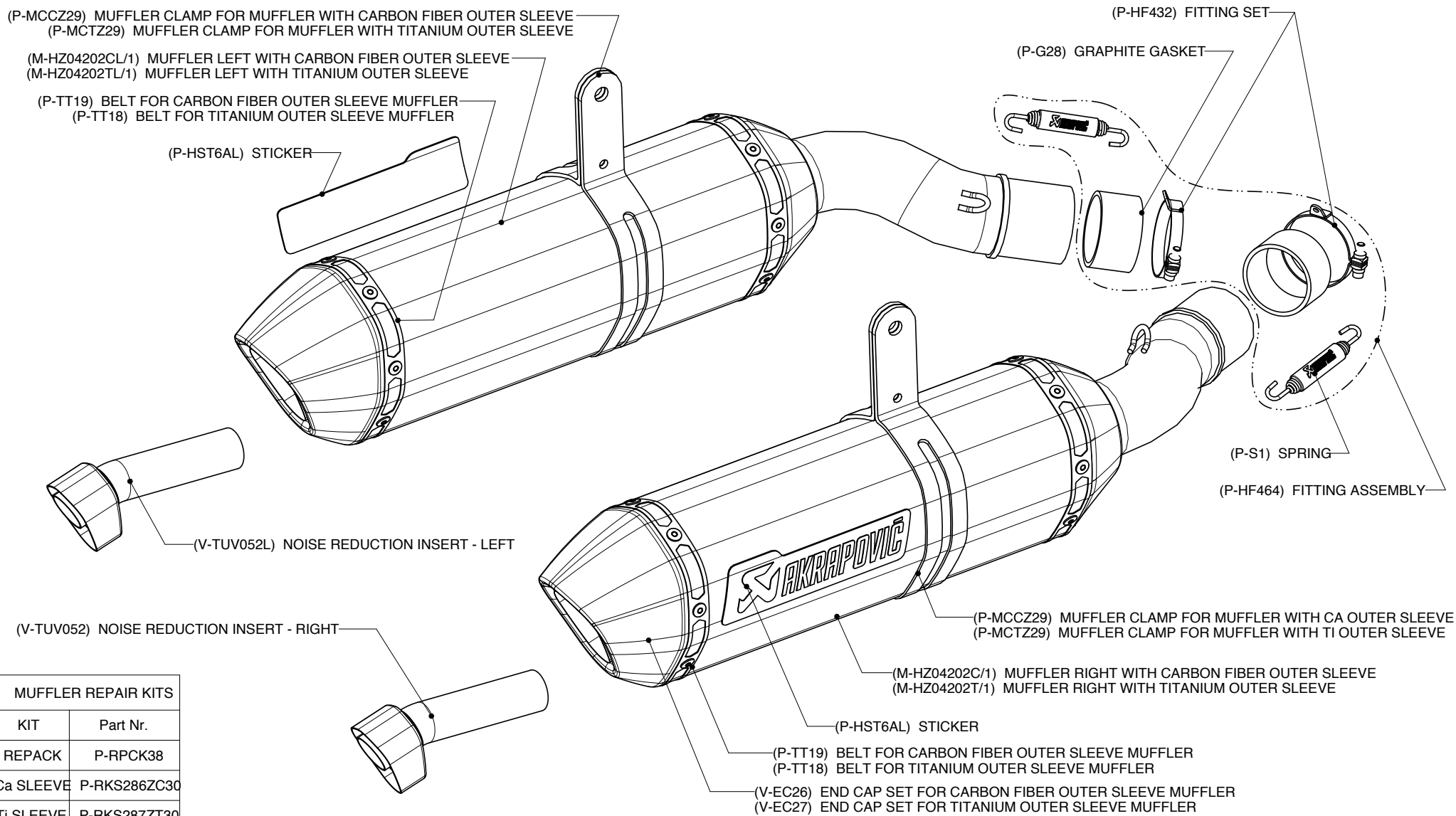
Technical specifications of Akrapovic exhaust systems and related products subject to change without notice.

Product code: S-K10SO6-HZC
S-K10SO6-HZT



www.akrapovic.com

Akrapovic d.d. 2010 all rights reserved
14.12.2010



MUFFLER REPAIR KITS	
KIT	Part Nr.
REPACK	P-RPCK38
Ca SLEEVE	P-RKS286ZC30
Ti SLEEVE	P-RKS287ZT30