



KAWASAKI ZZR 1400

(2008)

www.akrapovic.com

SLIP-ON OPEN & SLIP-ON STREET LEGAL EXHAUST SYSTEM

The powerful speedster offers a great tuning platform for all levels of tuning. Our sporty and lightweight SLIP-ON systems offer a great balance between price and performance and represent the first step in the exhaust system tuning process.

The muffler outer sleeve is made of titanium or carbon-fiber, which gives a special hi-tech touch to our SLIP-ON system. We offer open and a street legal version.

PERFORMANCE

Measurements of the Akrapovic SLIP-ON system on the Kawasaki ZZR 1400 (without noise damper):

The Akrapovic SLIP-ON system will deliver power and torque increase from a simple modification. Power output is smoother over the entire rpm range, with biggest increase in bottom and top of power curve. We measured a max. power increase of 5.3 HP at 6900 rpm and max. power output of 177.1 HP at 9400 rpm on the rear wheel. The torque is increased over the entire rpm range, which is exceptionally useful for more comfortable and smooth riding. With our SLIP-ON systems you will also save 6.55 kg in comparison with the stock mufflers.

CONFIGURATION

The SLIP-ON SERIES exhaust system has a 2-2 configuration and is composed of two main parts: a conical stainless steel link pipe and a muffler with titanium outer sleeve. The link pipes are attached to the header assembly with a sleeve joint, secured with a metal clamp. The link pipes and mufflers are connected with sleeve joint, secured with silicon shielded springs. The homologated version also include a catalytic converter to comply with all emission regulations and carbon fiber heat shield. Mufflers are attached to frame with carbon fiber-clamp.

| | PERFORMANCE | | |
|---|-------------|--------------|----------------------|
| | stock | AKRAPOVIC | max. increased power |
| max. rear wheel power HP / rpm <small>(measured on Dynojet ATV)</small> | 174 / 9400 | 177,1 / 9400 | 5,3 / 6900 |

| | CONFIGURATION | | |
|------------|---------------|-----------|-----------------|
| | header tubes | collector | link pipe |
| material | - | - | STAINLESS STEEL |
| tube shape | - | - | CYLINDRICAL |

| | | | |
|-------------------------------------|--|--|---|
| interference crossover tubes | - | lambda sensor | - |
| header tube inner sleeves | - | header tube flanges | - |
| header tubes - collector connection | - | collector / header tube - link pipe connection | SLEEVE JOINT+ METAL CLAMP |
| link pipe - muffler connection | SLEEVE JOINT + SILICON SHIELDED SPRING | muffler inlet cap /outlet cap | S.S. / S.S. |
| muffler metal interior | STAINLESS STEEL | muffler outer sleeve | TITANIUM |
| muffler clamp | CARBON-FIBER | muffler bracket | - |
| muffler insert | EU | NOISE DAMPER | NO / YES (homologated) |
| | US | - | catalytic converter NO / YES (homologated) |

| | ADDITIONAL DATA | | | | |
|---|-------------------------|----------------|---|--------------|------------------|
| | stock | AKRAPOVIC | | difference | |
| weight comparison (kg) | 13.03 | S.S. link pipe | TITANIUM link pipe | stock - S.S. | stock - titanium |
| | | 6.48 | - | 6.55 | - |
| noise measurements (dB / rpm) | stock | | AKRAPOVIC | | |
| | 97 dB / 4750 | | 97 / 4750 (street legal) 98.2 / 4750 (open) | | |
| possibility of periodic service without removing A.E.S. | oil | | oil filter | | |
| | YES | | YES | | |
| legal for street use | NO / YES (street legal) | | | | |

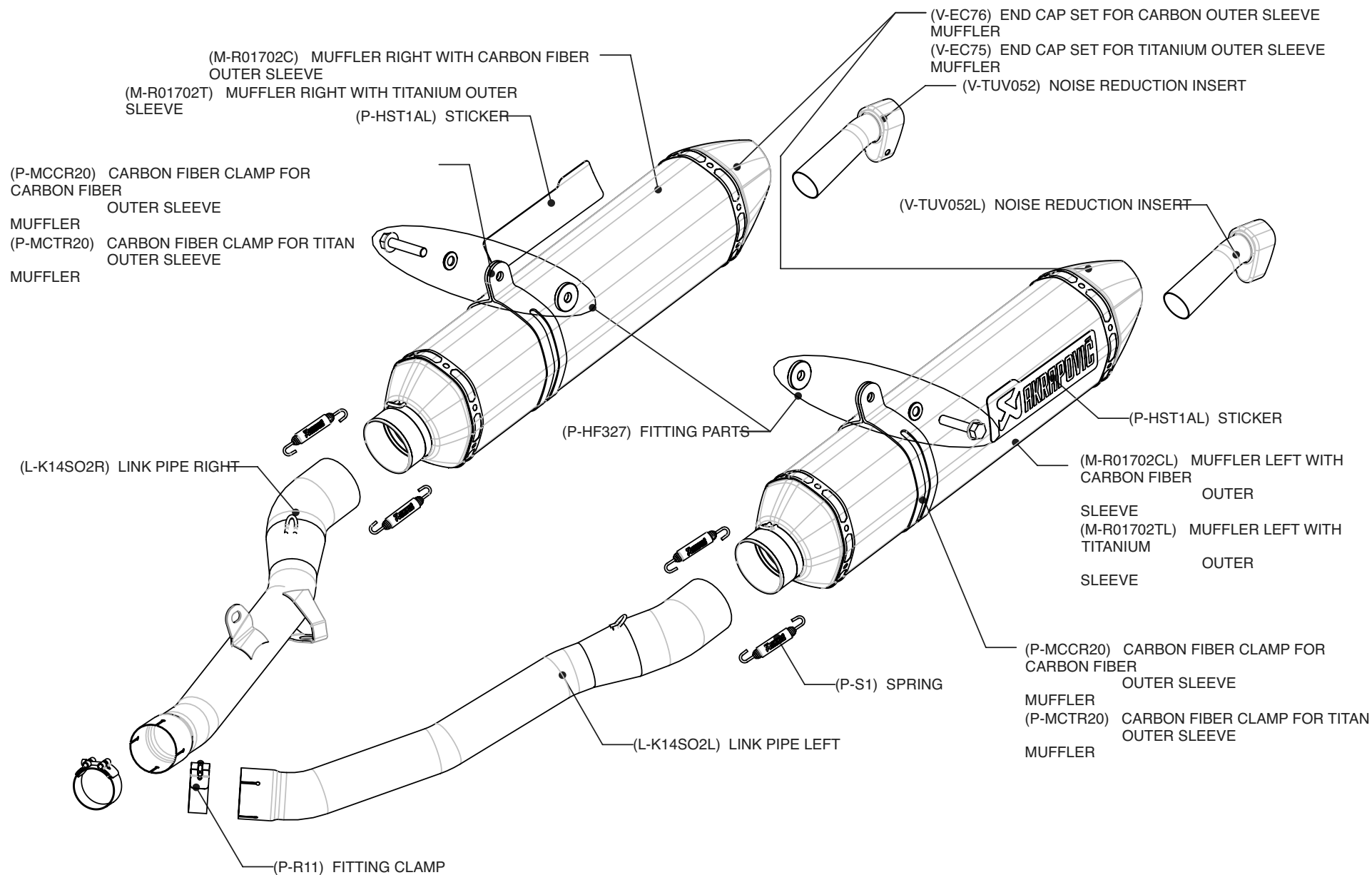
Technical specifications of Akrapovic exhaust systems and related products subject to change without notice.

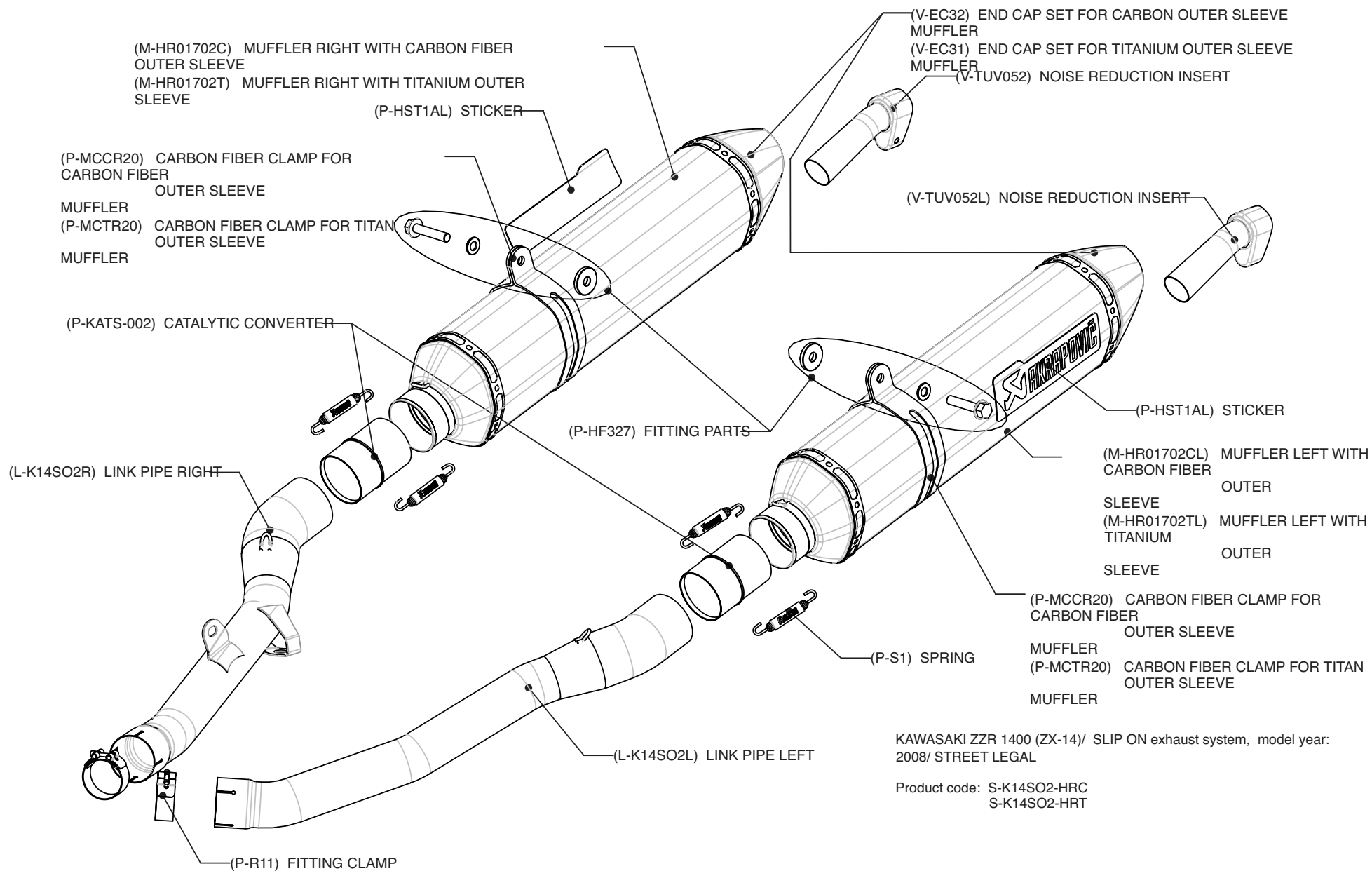


Product code: (109575) S-K14SO2-RC ; (109573) S-K14SO2-RT Open
(109729) S-K14SO2-HRC ; (109728) S-K14SO2-HRT Street legal



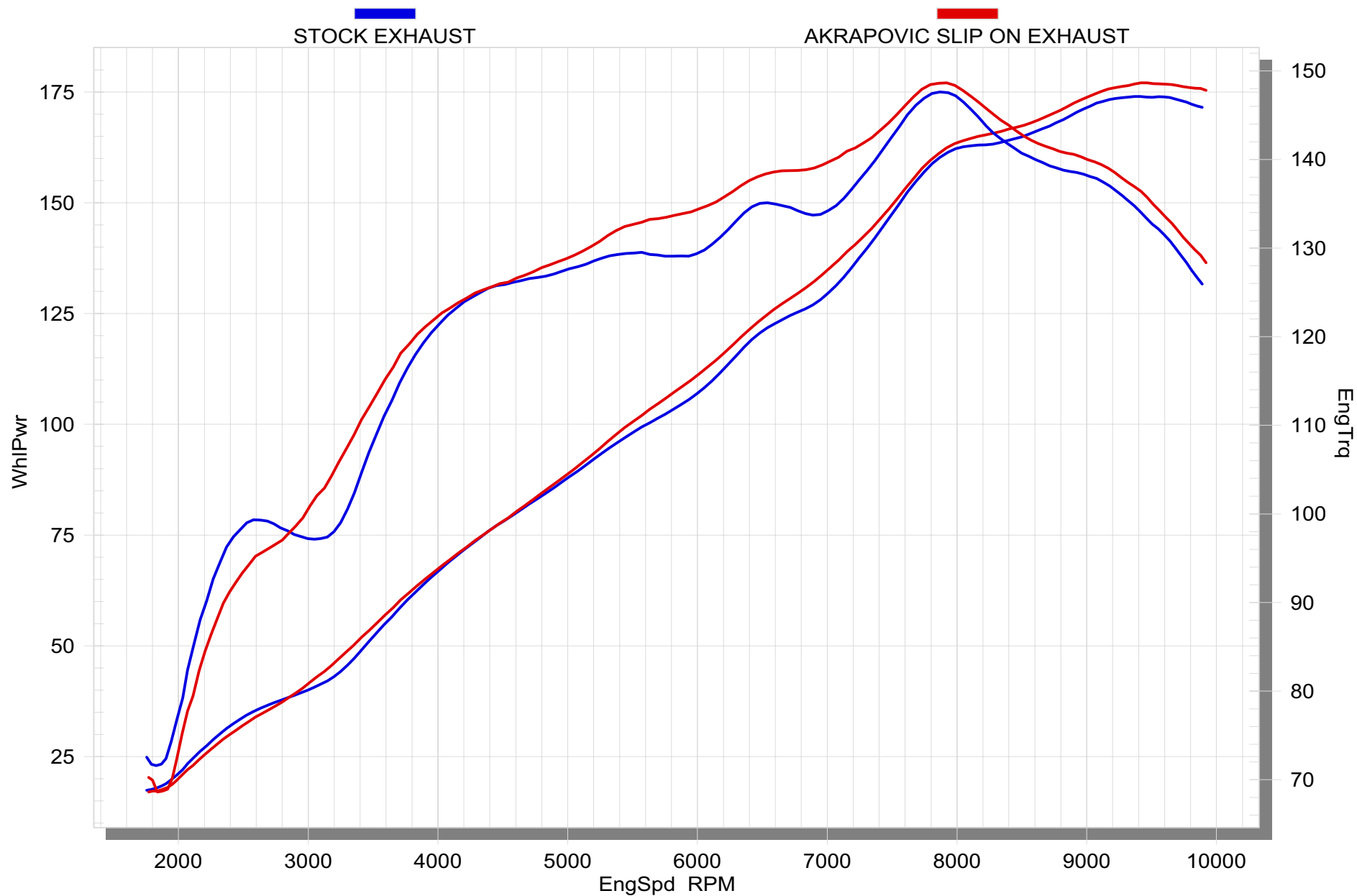
Product code: (109575) S-K14SO2-RC ; (109573) S-K14SO2-RT Open
(109729) S-K14SO2-HRC ; (109728) S-K14SO2-HRT Street legal





KAWASAKI ZZR 1400 (ZX-14)/ SLIP ON exhaust system, model year: 2008/ STREET LEGAL

Product code: S-K14SO2-HRC
S-K14SO2-HRT



Product code: (109575) S-K14SO2-RC ; (109573) S-K14SO2-RT Open
 (109729) S-K14SO2-HRC ; (109728) S-K14SO2-HRT Street legal

