



Kawasaki ZX 10R (2006)

Bolt-On Exhaust System

Akrapovic Bolt-On Exhaust System

for the Kawasaki ZX 10R (2006)

The supersport design of the Kawasaki ZX 10R and the Akrapovic HEXAGONAL Bolt-On system — a marriage made in heaven. The combination of these two incredible designs will take your breath away, and on top of that this easy-to-install system also delivers a substantial increase in performance. If you are not a racer, the Akrapovic HEXAGONAL Bolt-On system is an excellent combination of visual enhancement, performance and affordability. Racers should check out an Akrapovic Racing or Evolution system.

PERFORMANCE

Measurements of the Akrapovic BOLT-ON system on the KAWASAKI ZX 10R (without muffler insert):

Power & Torque: up to the middle of the rpm range, the Akrapovic Bolt-On system follows the stock curves, but from there on delivers a surprising performance boost for a first-level tuning component. The increase lasts all the way to the top of the range. Max. power of 165.4 HP was measured at 12000 rpm, and max. increased power was 4 HP at 7200 rpm.

CONFIGURATION

The Akrapovic BOLT-ON exhaust system for the ZX 10R is composed of two HEXAGONAL design mufflers. The HEXAGONAL design is intended to additionally emphasize the supersport character of the motorcycle. The inlet caps, or front rosettes, are made of CNC machined aluminum, while the perforated inner sleeves are made of titanium and lead into hydroforming-processed titanium outlet tubes. The outlet caps are made of carbon-fiber. The outer sleeves are available in either titanium or carbon-fiber. The mufflers are attached to the frame using Akrapovic carbon-fiber clamps.

	PERFORMANCE		
	stock	AKRAPOVIC	max. increased power
max. rear wheel power HP / rpm (measured on SuperFlow Cycle Dyn)	163.9 / 12000	165.4 / 12000	4 / 7200

	CONFIGURATION		
	header tubes	collector	link pipe
material	-	-	-
tube shape	-	-	-

interference crossover tubes	-	lambda sensor	-
header tube inner sleeves	-	header tube flanges	-
header tubes - collector connection	-	collector / header tube - link pipe connection	-
link pipe - muffler connection	-	muffler inlet cap / outlet cap	ALU CNC MACHINED / CARBON-FIBER
muffler metal interior	TITANIUM	muffler outer sleeve	TITANIUM / CARBON-FIBER
muffler clamp	CARBON-FIBER	muffler bracket	-
muffler insert	EU	-	heat shield
	US	-	catalytic converter

	ADDITIONAL DATA		
	stock	AKRAPOVIC	difference
weight comparison (kg)	4.06	3.25	0.81
noise measurements (dB / rpm)	stock		AKRAPOVIC
	100 / 5850		100 / 5850
possibility of periodic service without removing A.E.S.	oil		oil filter
	YES		NO
legal for street use	NO		

Technical specifications of Akrapovic exhaust systems and related products subject to change without notice.

Product code: 105180 (S-K10BO1-ZC), 105179 (S-K10BO1-ZT)

Akrapovic Bolt-On Exhaust System for the Kawasaki ZX 10R (2006)



BOLT SEALANT



CARBON-FIBER
MUFFLER CLAMPS

Product code: 105180 (S-K10B01-ZC), 105179 (S-K10B01-ZT)

Akrapovic Bolt-On Exhaust System for the Kawasaki ZX 10R (2006)



Akrapovic Exhaust System Technology copyright 2006, all rights reserved

Road
Program

Product code: 105180 (S-K10B01-ZC), 105179 (S-K10B01-ZT)

Akrapovic Bolt-On Exhaust System for the Kawasaki ZX 10R (2006)



Akrapovic Exhaust System Technology copyright 2006, all rights reserved

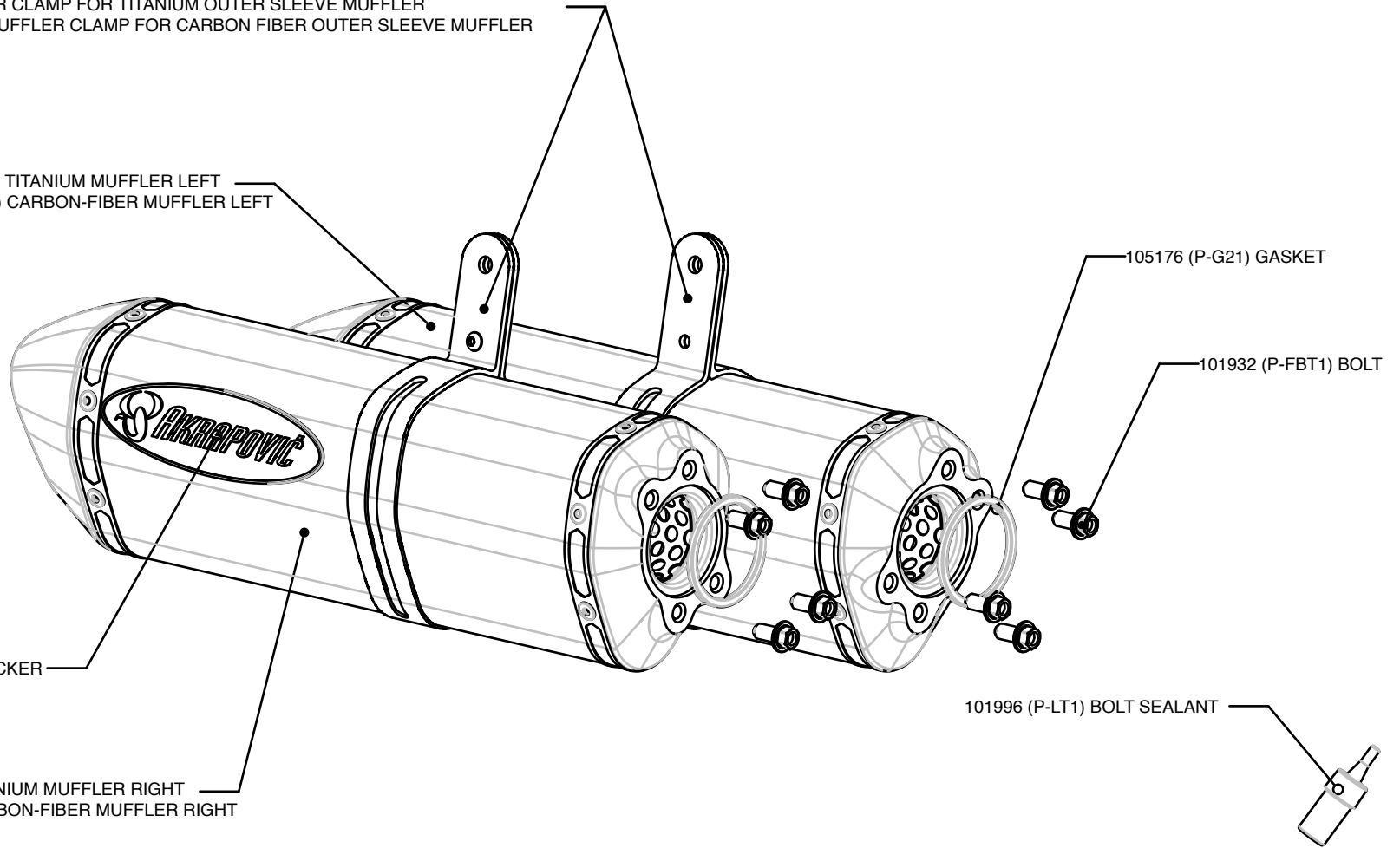
Road
Program

Product code: 105180 (S-K10B01-ZC), 105179 (S-K10B01-ZT)

Akrapovic Bolt-On Exhaust System for the Kawasaki ZX 10R (2006)

105060 (P-MCTZ2) CARBON MUFFLER CLAMP FOR TITANIUM OUTER SLEEVE MUFFLER
105061 (P-MCCZ2) CARBON FIBER MUFFLER CLAMP FOR CARBON FIBER OUTER SLEEVE MUFFLER

105359 (M-Z00208TL) TITANIUM MUFFLER LEFT
105361 (M-Z00208CL) CARBON-FIBER MUFFLER LEFT



101957 (P-ST2A) STICKER

105360 (M-Z00208TR) TITANIUM MUFFLER RIGHT
105362 (M-Z00208CR) CARBON-FIBER MUFFLER RIGHT

101996 (P-LT1) BOLT SEALANT

105176 (P-G21) GASKET

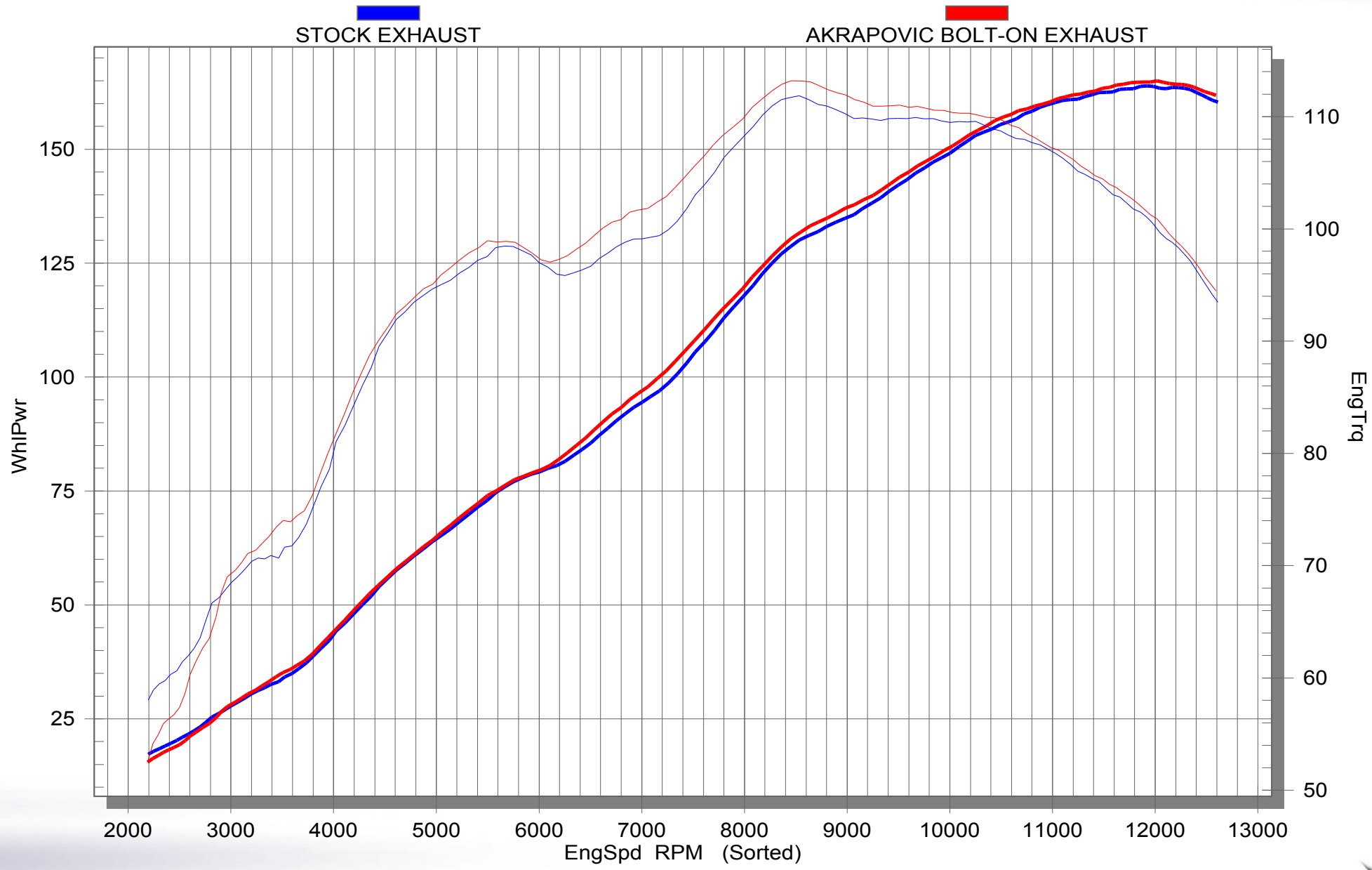
101932 (P-FBT1) BOLT

Akrapovic Exhaust System Technology copyright 2006, all rights reserved

Road Program

Product code: 105180 (S-K10B01-ZC), 105179 (S-K10B01-ZT)

Akrapovic Bolt-On Exhaust System for the Kawasaki ZX 10R (2006)



Road Program

Product code: 105180 (S-K10BO1-ZC), 105179 (S-K10BO1-ZT)



Akrapovic Exhaust System Technology copyright 2006, all rights reserved