



Kawasaki ZX 10 R (2004, 2005)

Slip-On Exhaust System

Akrapovic Slip-On Exhaust System

for the Kawasaki ZX 10 R (2004, 2005)

For Kawasaki's latest road warrior, we have also developed an Akrapovic SLIP-ON partial exhaust system in addition to our complete exhaust systems. The system is an excellent compromise between price, performance, modern materials and high-quality workmanship. Another important element is the aesthetic harmony with the radical lines of the new ZX.

NOTE: Slip-On system with the HEXAGONAL muffler is also available for the 2004-2005 Kawasaki ZX 10R. Performance is identical to the oval muffler.

PERFORMANCE

Measurements of the Akrapovic SLIP-ON system on the KAWASAKI ZX 10 R:

Power & Torque: the Kawasaki responds well to a partial modification of the exhaust, delivering a significant performance increase. The power increase begins right at 3000 rpm, and the increase continues to grow right into the overrev range. At 11900 rpm it puts out 161.8 HP, and the max. increased power is 5.4 HP at 12200 rpm. Of course we can't expect truly searing results from a first-level tuning component. Those who are seeking a greater amount of power should refer to our complete exhaust systems for the new ZX. The Akrapovic torque curve never deviates from the direction of the stock curve. Torque begins to increase at 2800 rpm and continues to expand throughout the entire rpm range.

CONFIGURATION

The conical stainless steel link pipe is connected to the stock header assembly by a free-floating joint doubly secured with a metal clamp and a silicon-shielded tensioning spring. An identical spring secures the free-floating joint between the link pipe and the Akrapovic muffler. The muffler outer sleeve is available in either titanium or carbon-fiber, with no difference in performance. The muffler is attached to the bike with an Akrapovic carbon-fiber Road clamp.

	PERFORMANCE		
	stock	AKRAPOVIC	max. increased power
max. rear wheel power HP / rpm <small>(measured on Dynojet ATV)</small>	158.4 / 11880	161.8 / 11900	5.4 / 12200

	CONFIGURATION		
	header tubes	collector	link pipe
material	-	-	STAINLESS STEEL
tube shape	-	-	CONICAL

interference crossover tubes	-	lambda sensor	-	
header tube inner sleeves	-	header tube flanges	-	
header tubes - collector connection	-	collector / header tube - link pipe connection	SLEEVE JOINT + METAL CLAMP + SILICON SHIELDED SPRING	
link pipe - muffler connection	FREE-FLOATING + SILICON SHIELDED SPRING	muffler inlet cap / outlet cap	TITANIUM / TITANIUM, CARBON-FIBER (hexagonal)	
muffler metal interior	TITANIUM	muffler outer sleeve	TITANIUM / CARBON-FIBER	
muffler clamp	CARBON-FIBER ROAD	muffler bracket	-	
muffler insert	EU	-	heat shield	-
	US	-	catalytic converter	-

	ADDITIONAL DATA				
	stock	AKRAPOVIC		difference	
		S.S. link pipe	TITANIUM link pipe	stock - S.S.	stock - titanium
weight comparison (kg)	3.29	1.95	-	1.34	-
noise measurements (dB / rpm)	stock		AKRAPOVIC		
	95.3 / 5800		96.5 / 5800		
possibility of periodic service without removing A.E.S.	oil		oil filter		
	YES		YES		
legal for street use	NO / YES (street legal version)				

Technical specifications of Akrapovic exhaust systems and related products subject to change without notice.

Product code: 105465 (S-K10SO2-ZT), 105466 (S-K10SO2-ZC) hexagonal
102585 (S-K10SO2-C), 102584 (S-K10SO2-T)



Akrapovic Slip-On Exhaust System for the Kawasaki ZX 10 R (2004, 2005)



CARBON-FIBER
MUFFLER CLAMP

Road
Program

Product code: 105465 (S-K10SO2-ZT), 105466 (S-K10SO2-ZC) hexagonal

Akrapovic Slip-On Exhaust System for the Kawasaki ZX 10 R (2004, 2005)



CARBON-FIBER
MUFFLER CLAMP

Product code: 102585 (S-K10S02-C), 102584 (S-K10S02-T)

Akrapovic Slip-On Exhaust System for the Kawasaki ZX 10 R (2004, 2005)



Akrapovic Exhaust System Technology copyright 2004, all rights reserved

Road
Program

Product code: 102585 (S-K10SO2-C), 102584 (S-K10SO2-T)



Akrapovic Slip-On Exhaust System for the Kawasaki ZX 10 R (2004, 2005)



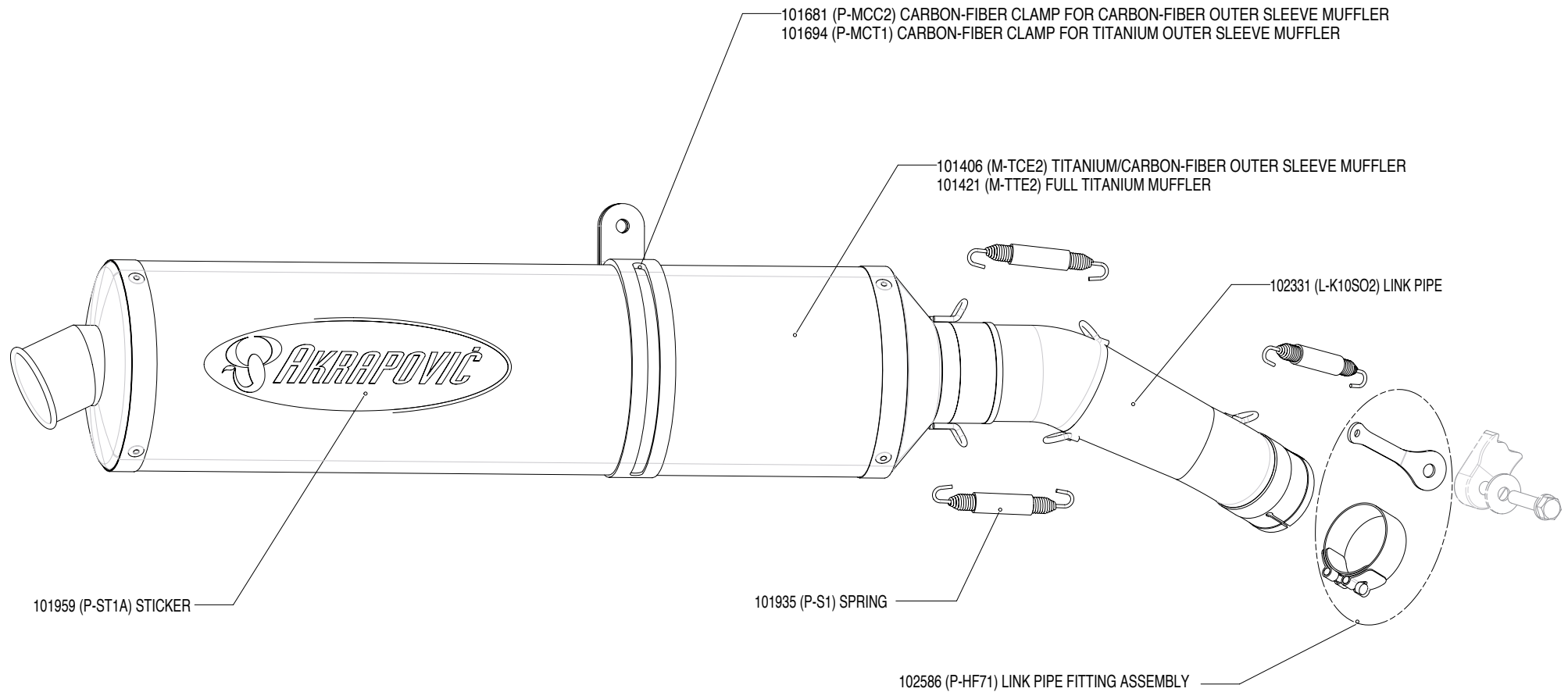
Akrapovic Exhaust System Technology copyright 2004, all rights reserved

Road Program

Product code: 102585 (S-K10SO2-C), 102584 (S-K10SO2-T)



Akrapovic Slip-On Exhaust System for the Kawasaki ZX 10 R (2004, 2005)



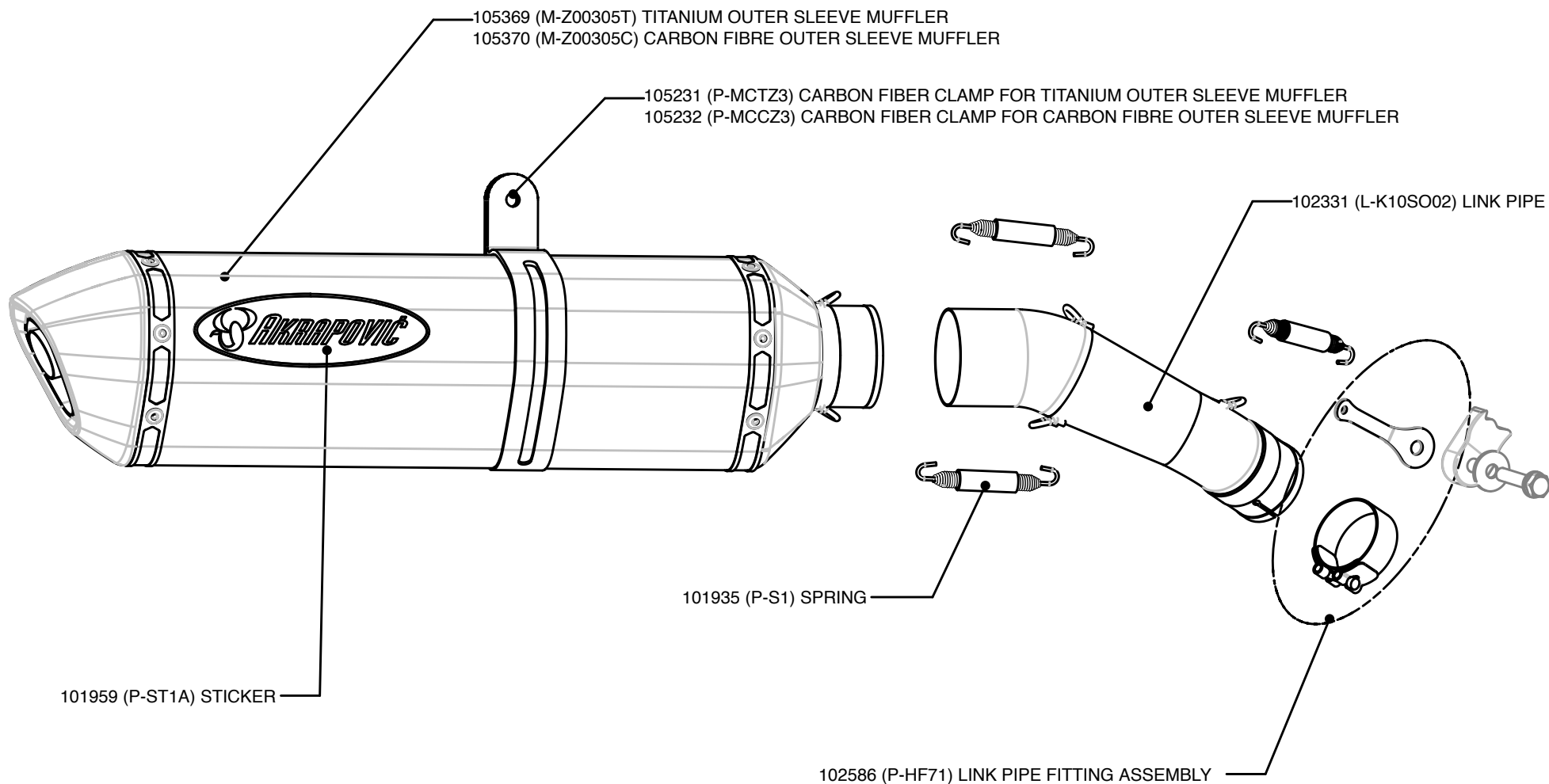
Akrapovic Exhaust System Technology copyright 2004, all rights reserved

Road Program

Product code: 102585 (S-K10SO2-C), 102584 (S-K10SO2-T)



Akrapovic Slip-On Exhaust System for the Kawasaki ZX 10 R (2004, 2005)



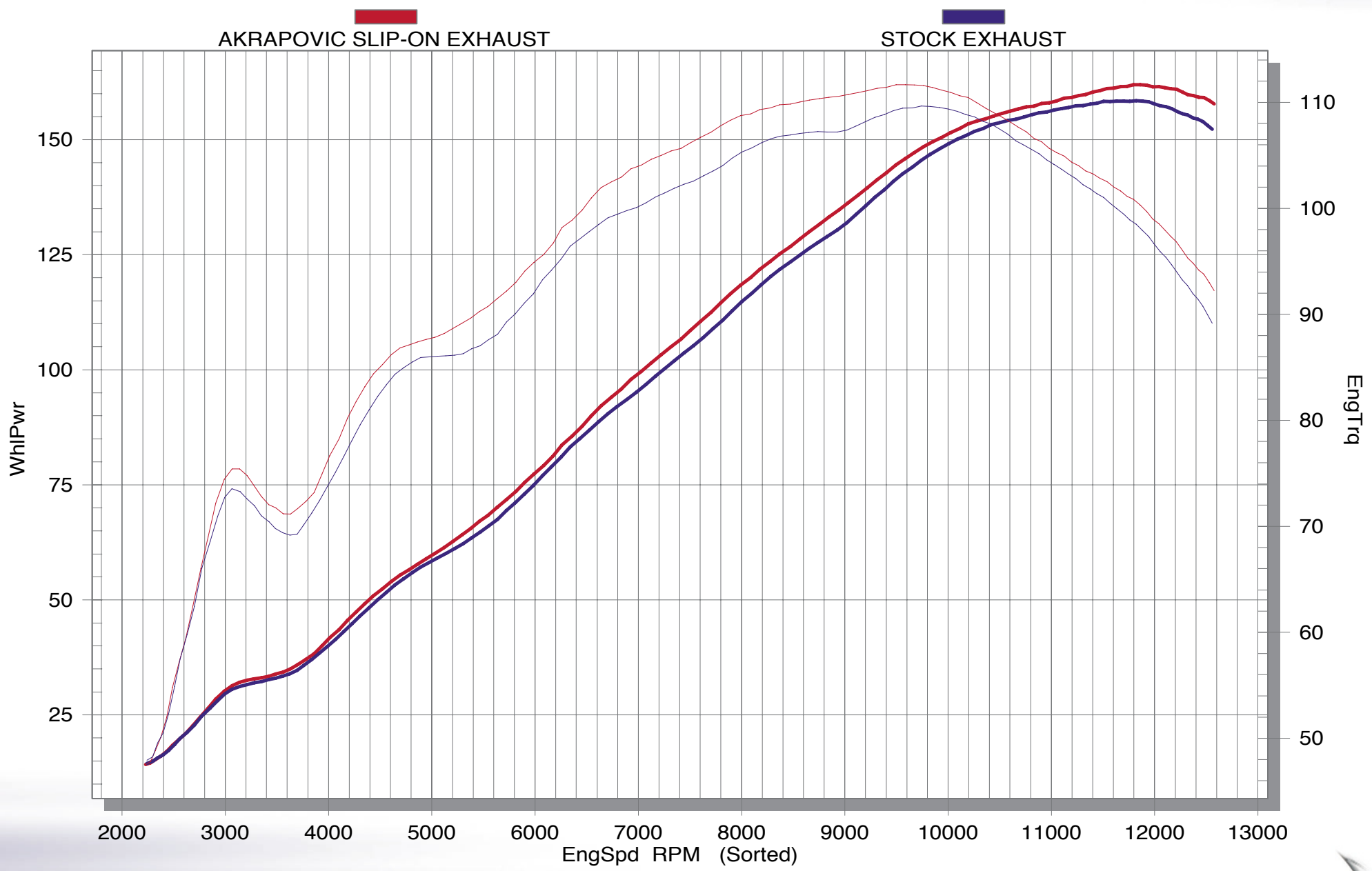
Akrapovic Exhaust System Technology copyright 2004, all rights reserved

Road Program

Product code: 105465 (S-K10SO2-ZT), 105466 (S-K10SO2-ZC) hexagonal

Akrapovic Slip-On Exhaust System

for the Kawasaki ZX 10 R (2004, 2005)



Road Program

Product code: 105465 (S-K10SO2-ZT), 105466 (S-K10SO2-ZC) hexagonal
102585 (S-K10SO2-C), 102584 (S-K10SO2-T)



Akrapovic Exhaust System Technology copyright 2004, all rights reserved