



Slip-On Line (Titanium)

The Akrapovič Slip-On exhaust system is designed for riders who do not want to make expensive and major modifications to their stock exhaust system. However, the Hexagonal muffler delivers great looks as well as increased performance for the Versys.

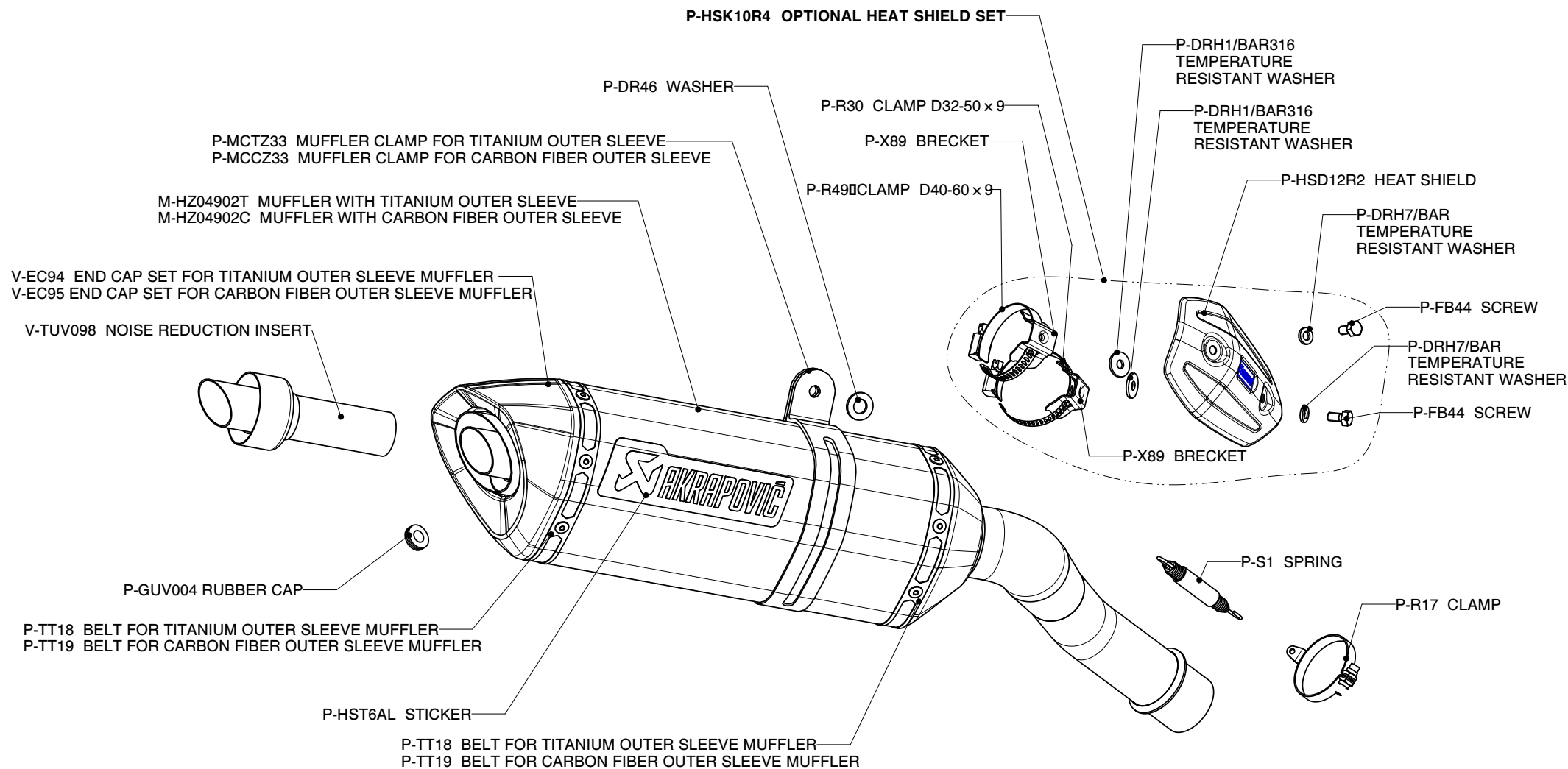
The Akrapovič Slip-On exhaust system increases engine power and its torque at every rpm. Especially from 2500 rpm on, the Akrapovič Slip-On exhaust system adds an increase in power, all the way up to the top of the rpm range.

| TECHNICAL DATA | UNIT | STOCK | AKRAPOVIČ | DIFFERENCE |
|--------------------|--------|-------------------|-------------------|-------------------|
| maximum power | kW | 81.1 at 8950 rpm | 83.5 at 8950 rpm | + 3.1 at 9470 rpm |
| | HP (m) | 110.2 at 8950 rpm | 113.5 at 8950 rpm | + 4.2 at 9470 rpm |
| | HP (i) | 108.7 at 8950 rpm | 111.9 at 8950 rpm | + 4.1 at 9470 rpm |
| maximum torque | Nm | 95.4 at 7910 rpm | 98.2 at 7240 rpm | + 3.6 at 5850 rpm |
| | lb-ft | 70.4 at 8950 rpm | 61.6 at 8950 rpm | + 2.3 at 9470 rpm |
| weight | kg | 5 | 1.8 | - 3.2 |
| | lb | 11 | 11 | - 7.1 |
| static noise level | dB | 89 | 89 | 0 |
| | rpm | 4500 | 4500 | 0 |

KAWASAKI VERSYS 1000, Partial exhaust system / Slip-ON line / EC Type approval

Product code: S-K10SO8-HZC

S-K10SO8-HZT



| MUFFLER REPAIR KITS | |
|---------------------|--------------|
| REPACK | P-RPCK38 |
| Ca SLEEVE | P-RKS237ZC30 |
| Ti SLEEVE | P-RKS238ZT30 |

KAWASAKI VERSYS 1000

