



KAWASAKI KX 450 F
RACING & EVOLUTION EXHAUST SYSTEM

The Akrapovic Racing and Evolution complete exhaust systems are the flagships of our product lines. They are designed for competition-oriented MX riders who demand maximum performance from their exhaust systems. With their production quality, engine performance improvements and modern Hexagonal muffler design they satisfy the requirements of all riders. The systems are designed for two markets; in the US they are available with an approved spark arrester, and for the EU and other non-US markets they come with a noise damper. Our patented additional chamber helps to reduce noise emission and provides better power and torque at low rpm range. For the Racing system we use stainless steel tubes and composite end cap while we use titanium tubes and carbon-fiber end cap for the Evolution system.

PERFORMANCE

Measurements of the Akrapovic EVOLUTION system on the KAWASAKI KX 450 F F.I. (with 2mMAX muffler insert):

Power & Torque: The Akrapovic Evolution and Racing systems deliver a performance increase throughout nearly the entire rpm range. It is most pronounced in the bottom and the top of the range. The systems deliver increased torque similar to the power increase. Max. increased power of 1.7 HP was measured at 8050 rpm, while max. power of 51.6 HP was measured at 8900 rpm.



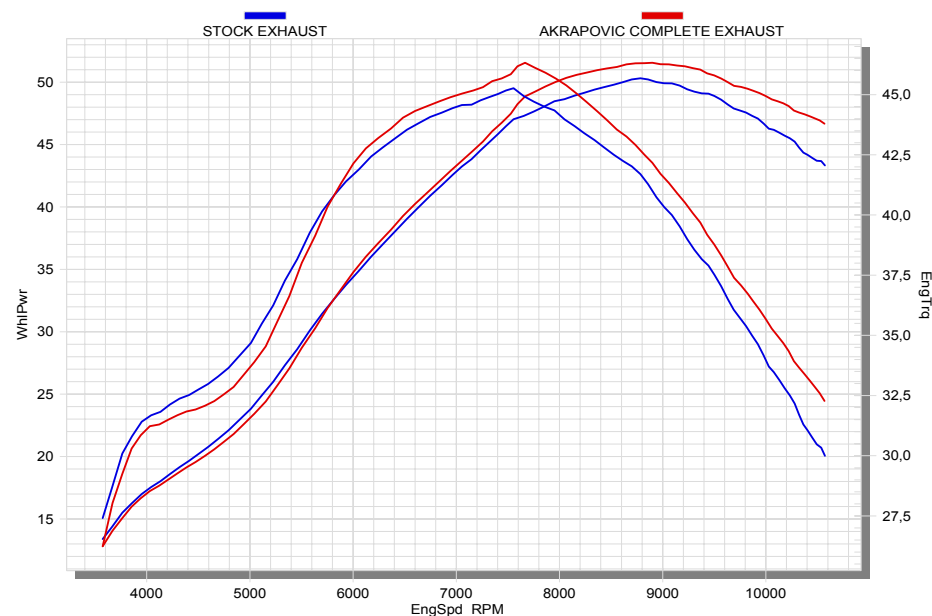
PERFORMANCE			
	stock	AKRAPOVIC	max. increased power
max. rear wheel power HP / rpm <small>(measured on SuperFlow Cycle Dyn)</small>	50.3 / 8790	51.6 / 8900	1.7 / 8050

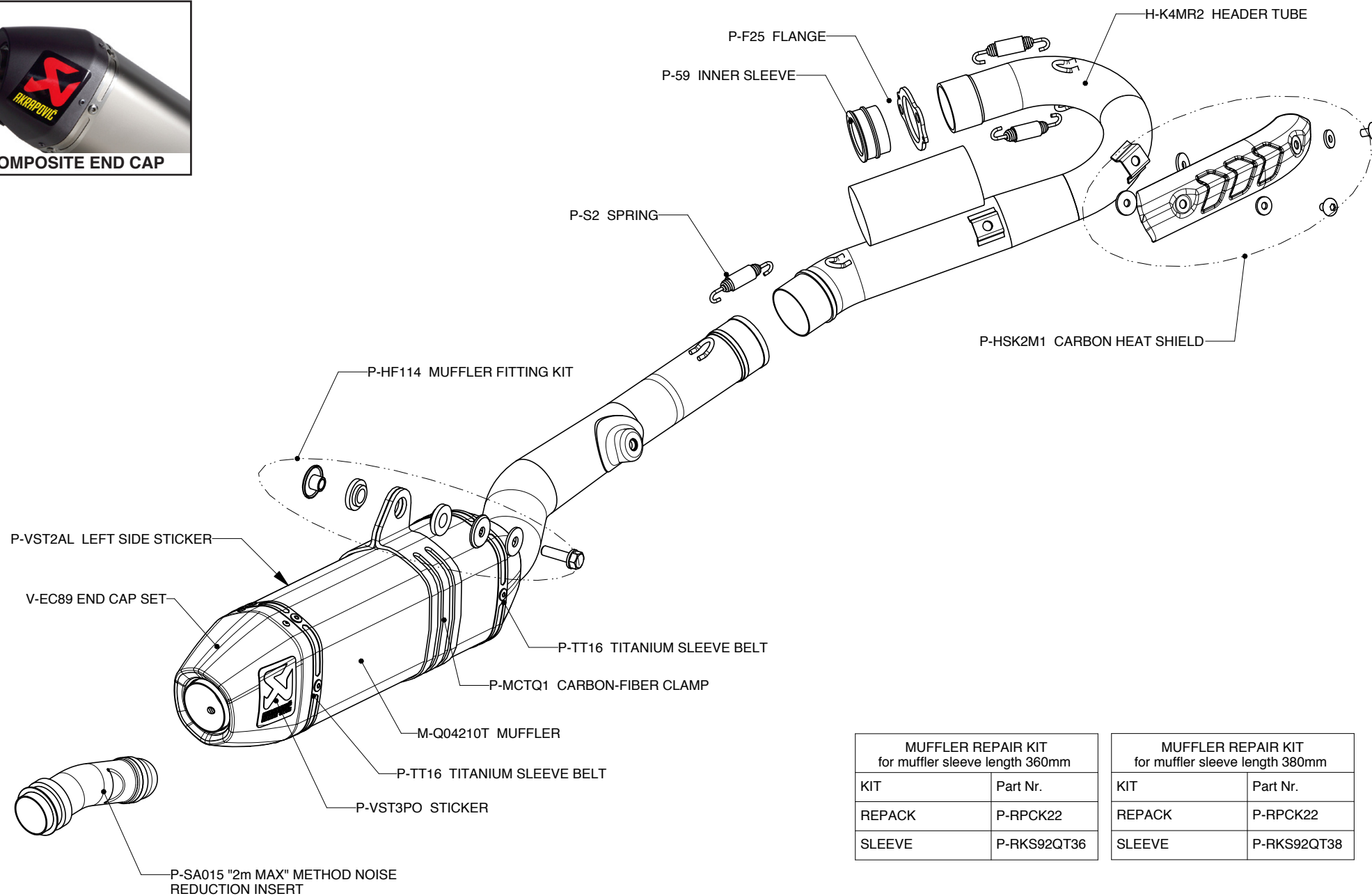
ADDITIONAL DATA					
weight comparison (kg)	stock	AKRAPOVIC		difference	
	3.71	RACING	EVOLUTION	stock - RACING	stock - EVOLUTION
		2.96	2.52	0.75	1.19

noise measurements 2mMAX	stock	AKRAPOVIC
		115db
legal for street use	NO	

Technical specifications of Akrapovic exhaust systems and related products subject to change without notice.

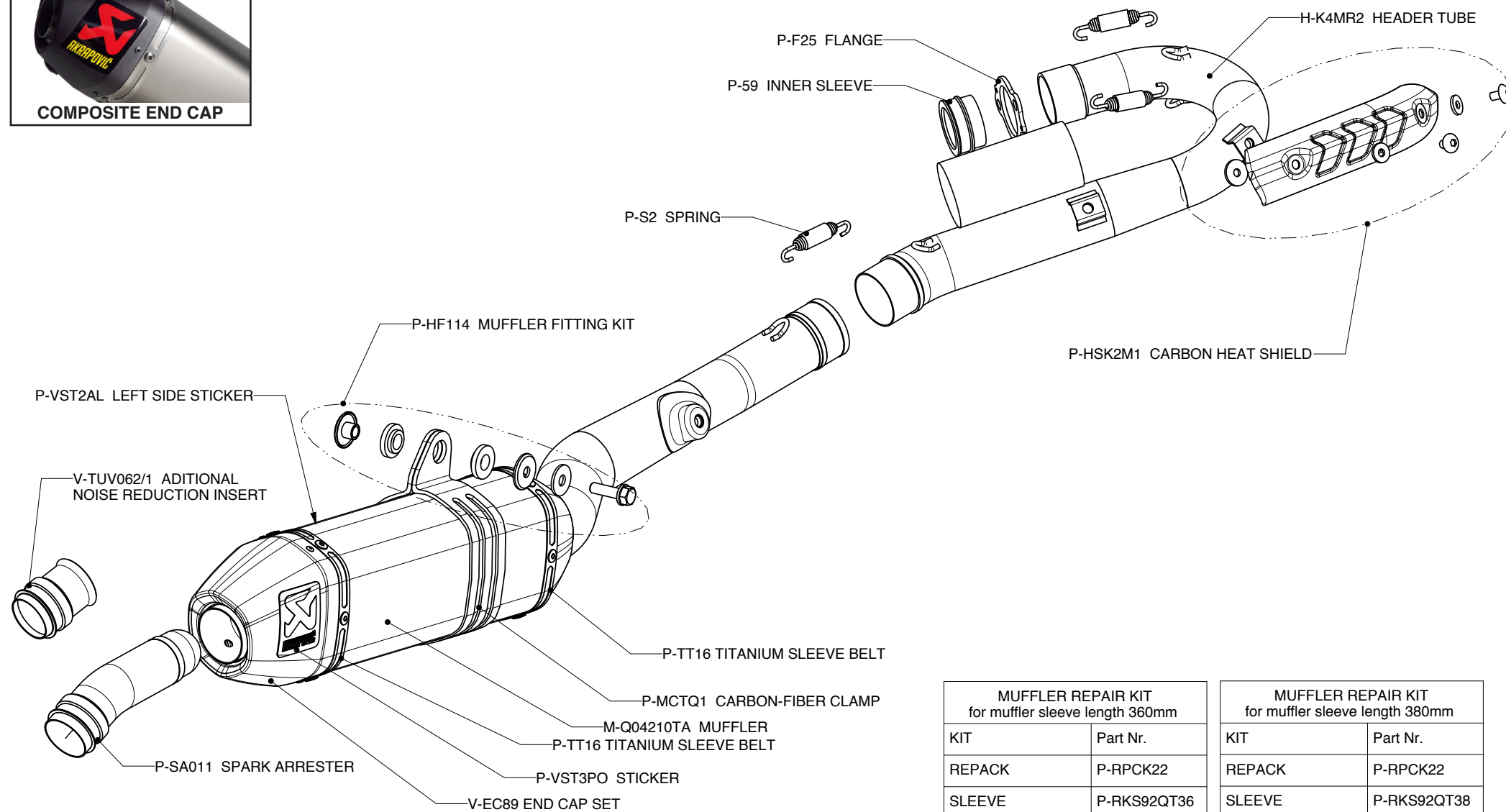
Product code: S-K4MR5-QT, S-K4MET5-QT
S-K4MR5-QTA, S-K4MET5-QTA US market





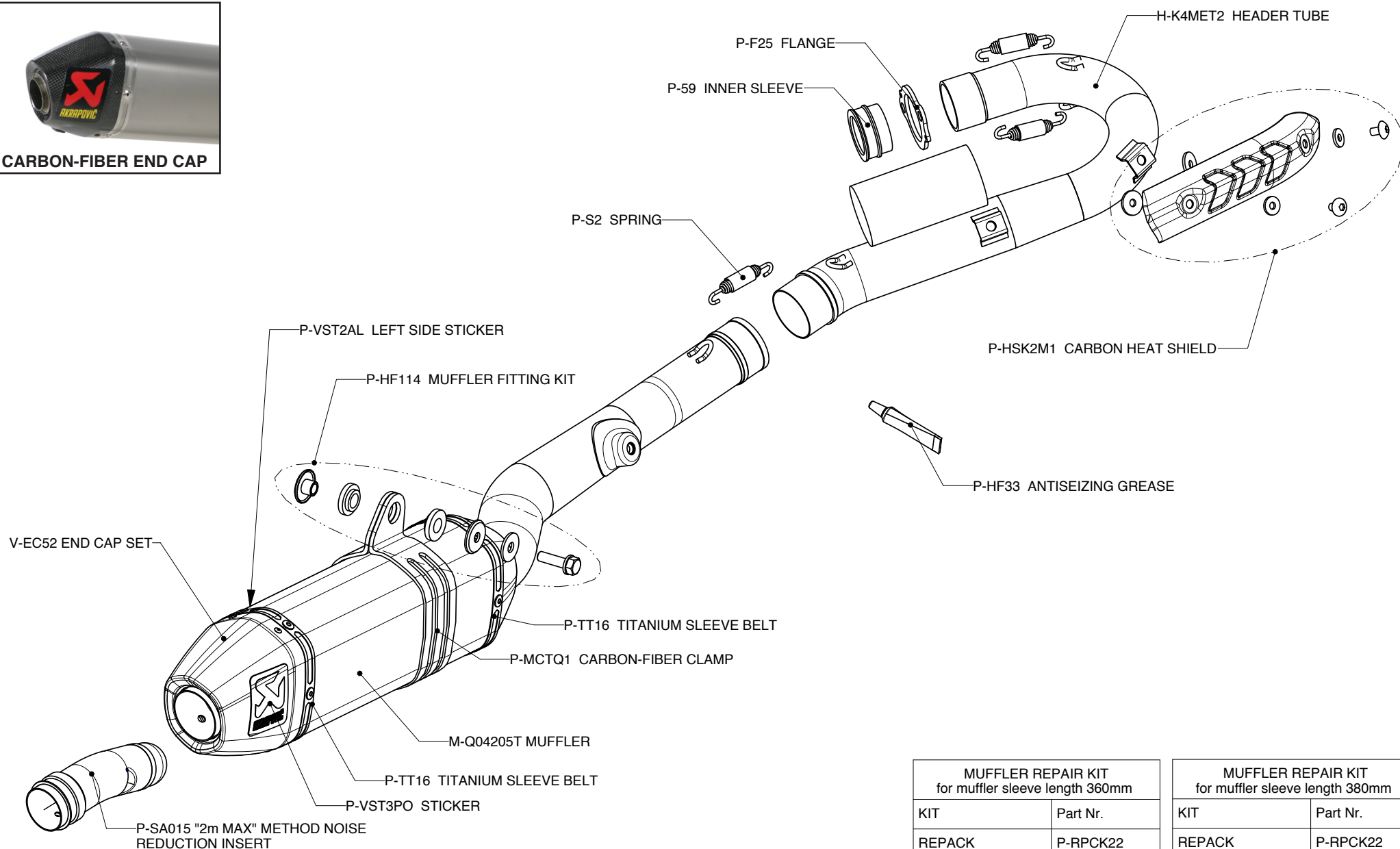
MUFFLER REPAIR KIT for muffler sleeve length 360mm	
KIT	Part Nr.
REPACK	P-RPCK22
SLEEVE	P-RKS92QT36

MUFFLER REPAIR KIT for muffler sleeve length 380mm	
KIT	Part Nr.
REPACK	P-RPCK22
SLEEVE	P-RKS92QT38



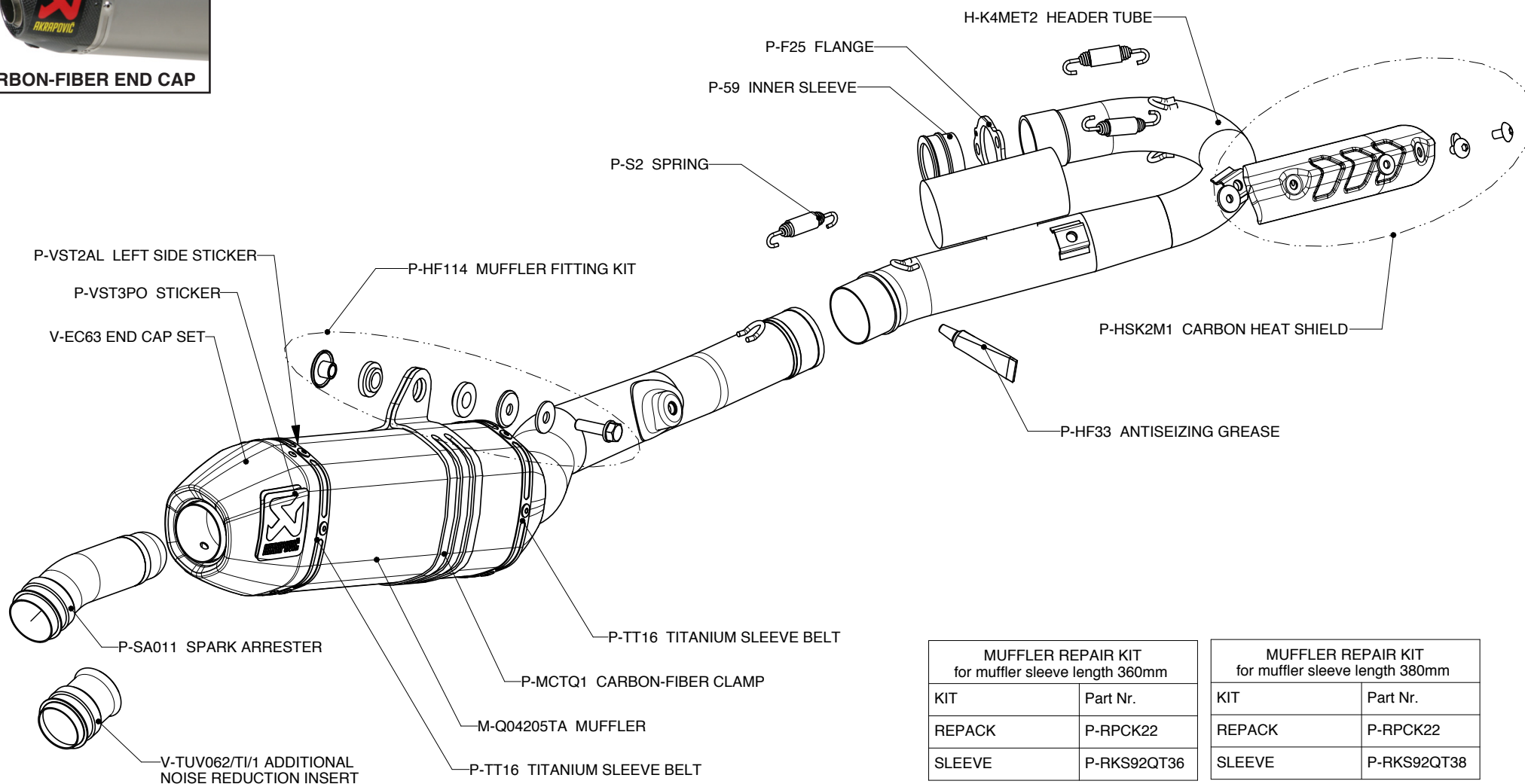
MUFFLER REPAIR KIT for muffler sleeve length 360mm	
KIT	Part Nr.
REPACK	P-RPCK22
SLEEVE	P-RKS92QT36

MUFFLER REPAIR KIT for muffler sleeve length 380mm	
KIT	Part Nr.
REPACK	P-RPCK22
SLEEVE	P-RKS92QT38



MUFFLER REPAIR KIT for muffler sleeve length 360mm	
KIT	Part Nr.
REPACK	P-RPCK22
SLEEVE	P-RKS92QT36

MUFFLER REPAIR KIT for muffler sleeve length 380mm	
KIT	Part Nr.
REPACK	P-RPCK22
SLEEVE	P-RKS92QT38



MUFFLER REPAIR KIT for muffler sleeve length 360mm	
KIT	Part Nr.
REPACK	P-RPCK22
SLEEVE	P-RKS92QT36

MUFFLER REPAIR KIT for muffler sleeve length 380mm	
KIT	Part Nr.
REPACK	P-RPCK22
SLEEVE	P-RKS92QT38