



AKRAPOVIČ



HONDA VFR 1200 F (2010)

SLIP-ON STREET LEGAL HIGH MOUNTED EXHAUST SYSTEM

www.akrapovic.com





HONDA VFR 1200 F (2010)

SLIP-ON STREET LEGAL HIGH MOUNTED EXHAUST SYSTEM

DESCRIPTION

Our sporty and lightweight Slip-on exhaust system offer a great balance between price and performance and represent the first step in the exhaust system tuning process. The change will be also visual as our Hexagonal muffler adds a clean racing image to the sport-touring Honda. The muffler outer sleeve is made of titanium or carbon-fiber, which gives a special hi-tech touch to our Slip-on system. We offer street legal system with valve. Please note that this sporty 'high mounted' slip on is not compatible with Honda aftermarket side cases.

PERFORMANCE

Measurements of the Akrapovic SLIP-ON exhaust system on the HONDA VFR1200F (without muffler insert):

Power & Torque: the exhaust system modification with the SLIP-ON system results in a major boost in performance, delivering a massive 161.2 HP at 10100 rpm on back wheel. But the increased power isn't available just at the top of the range; the system shows its quality already from 3000 rpm up through entire rpm range. Max. increased power between the Akrapovic and the stock system is 5.5 HP at 9700 rpm. Besides this, the torque is substantially higher in a lower rpm area at 2500 rpm and from middle to high rpm area.



PERFORMANCE					
	stock	AKRAPOVIC		max. increased power	
max. rear wheel power HP / rpm <small>(measured on SuperFlow Cycle Dyn)</small>	156.2 / 10100	161.2 / 10100		5.5 / 9700	

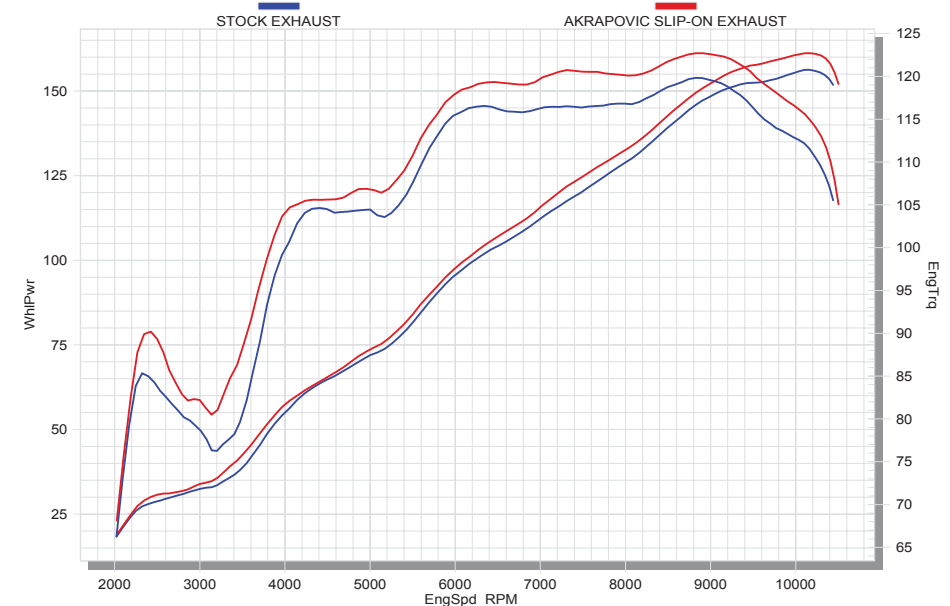
ADDITIONAL DATA					
weight comparison (kg)	stock	AKRAPOVIC		difference	
	5.74	SS link pipe	TITANIUM link pipe	stock - S.S.	stock - TITANIUM
		2.8	-	2.94	-

noise measurements (dB / rpm)	stock	AKRAPOVIC
		95 / 5000

legal for street use	YES
----------------------	-----

Technical specifications of Akrapovic exhaust systems and related products subject to change without notice.

Product code: S-H12SO2-HRT, S-H12SO2-HRC



www.akrapovic.com

Akrapovic d.d. 2010 all rights reserved 20.05.2010

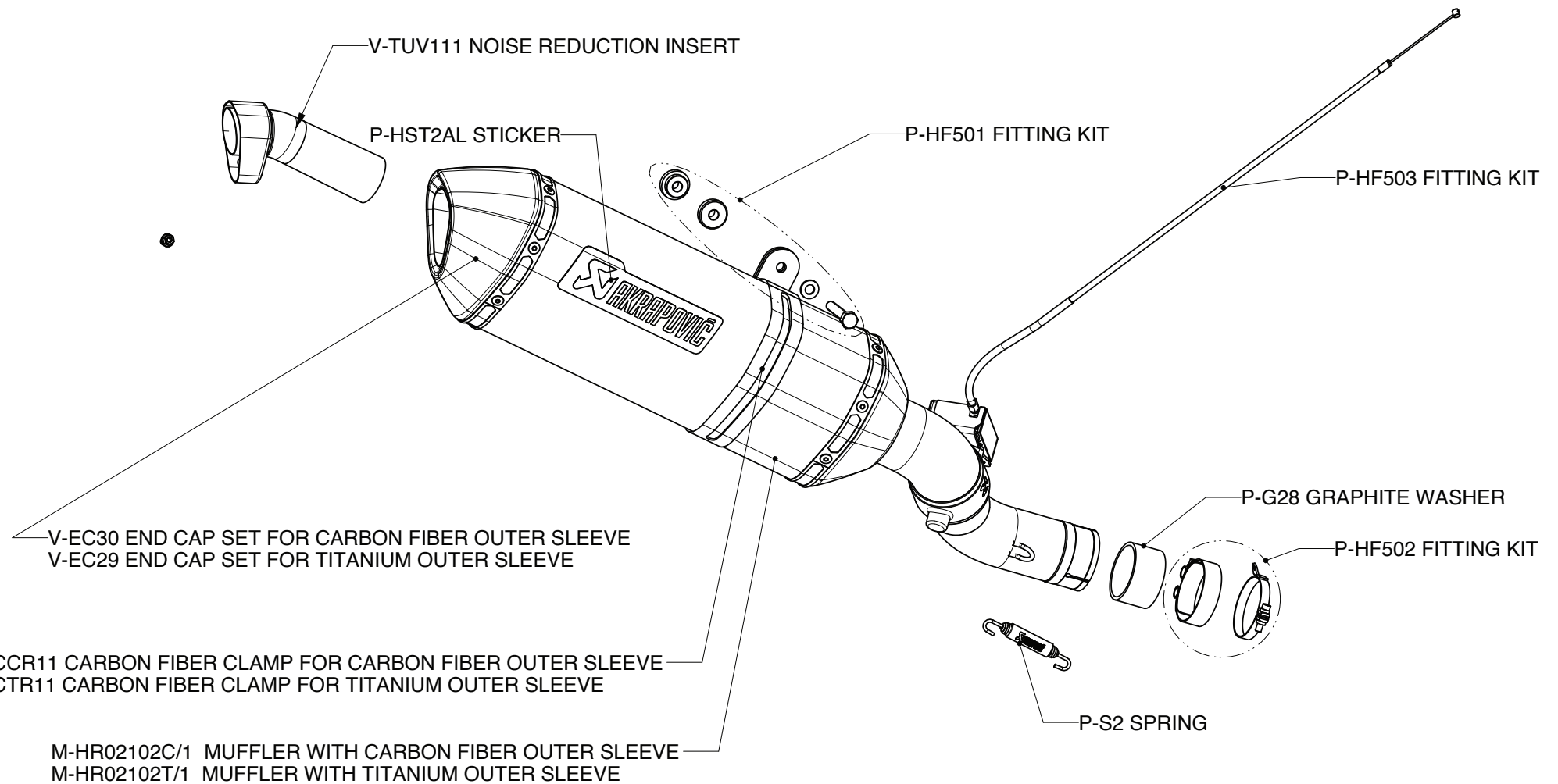




HONDA VFR 1200 F (2010)

SLIP-ON STREET LEGAL HIGH MOUNTED EXHAUST SYSTEM

SHEMATIC



CAN NOT BE USED WITH SIDE CASES!

Product code: S-H12SO2-HRT, S-H12SO2-HRC



www.akrapovic.com

Akrapović d.d. 2010 all rights reserved
20.05.2010

