



Slip-On Line (Titanium) NC700

Product code: **S-H7SO1-HT**

The Akrapovič Slip-On exhaust system is designed for riders who do not want to make expensive and major modifications to their stock exhaust system. However, the Hexagonal muffler delivers great looks as well as increased performance for the bike.

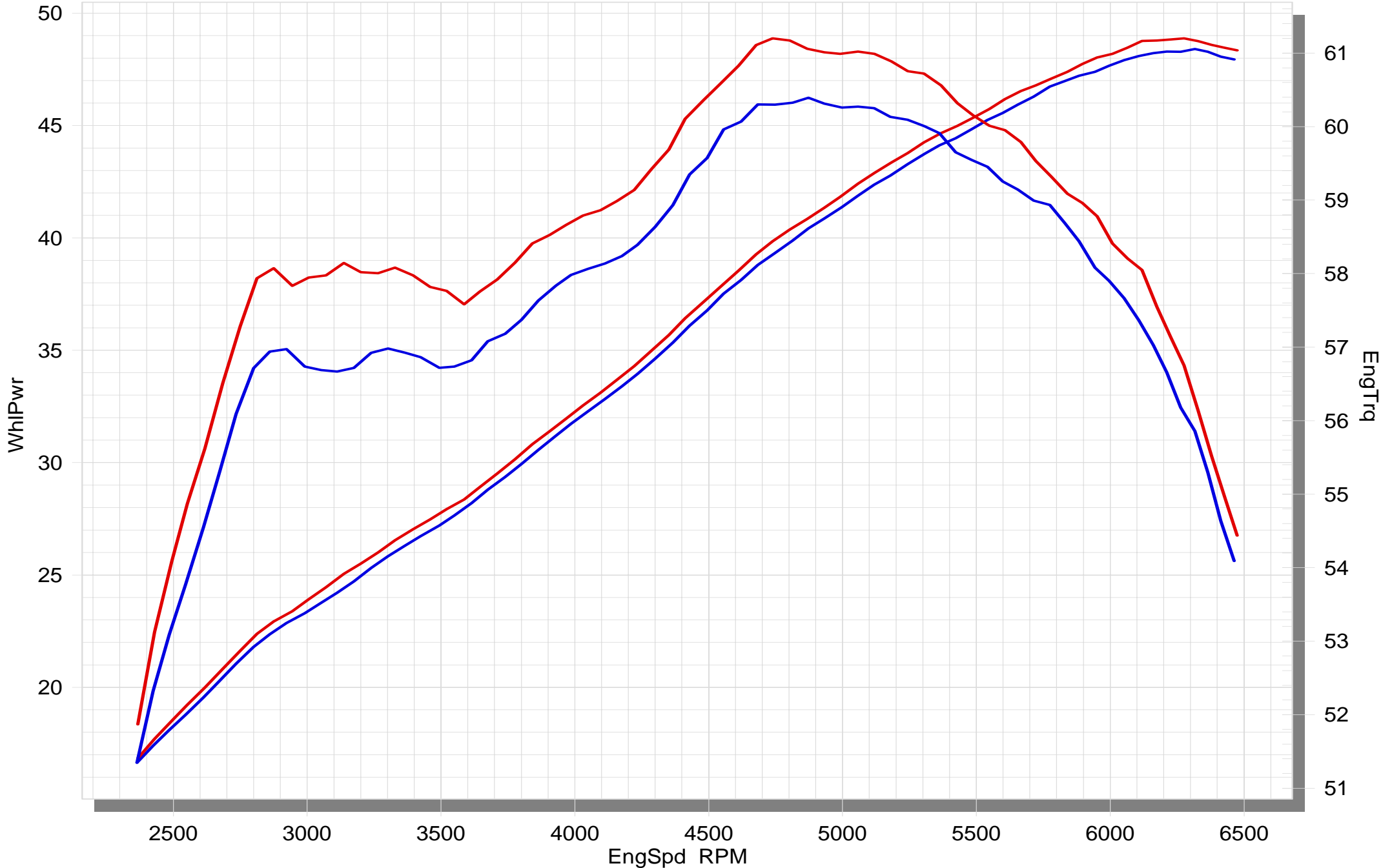
TECHNICAL DATA	UNIT	STOCK	AKRAPOVIČ	MAX. GAIN
maximum power	kW	35.6 at 6320 rpm	36 at 6280 rpm	+ 0.5 at 6120 rpm
	HP (m)	48.4 at 6320 rpm	48.9 at 6280 rpm	+ 0.7 at 6120 rpm
	HP (i)	47.7 at 6320 rpm	48.2 at 6280 rpm	+ 0.7 at 6120 rpm
maximum torque	Nm	60.4 at 4870 rpm	61.2 at 4740 rpm	+ 24 at 3140 rpm
	lb-ft	44.5 at 4870 rpm	45.1 at 4740 rpm	+ 17.7 at 3140 rpm
weight	kg	3.8	2.1	- 1.7
	lb	8.4	8.4	- 3.7
static noise level	dB	84	84	0
	rpm	3125	3125	0

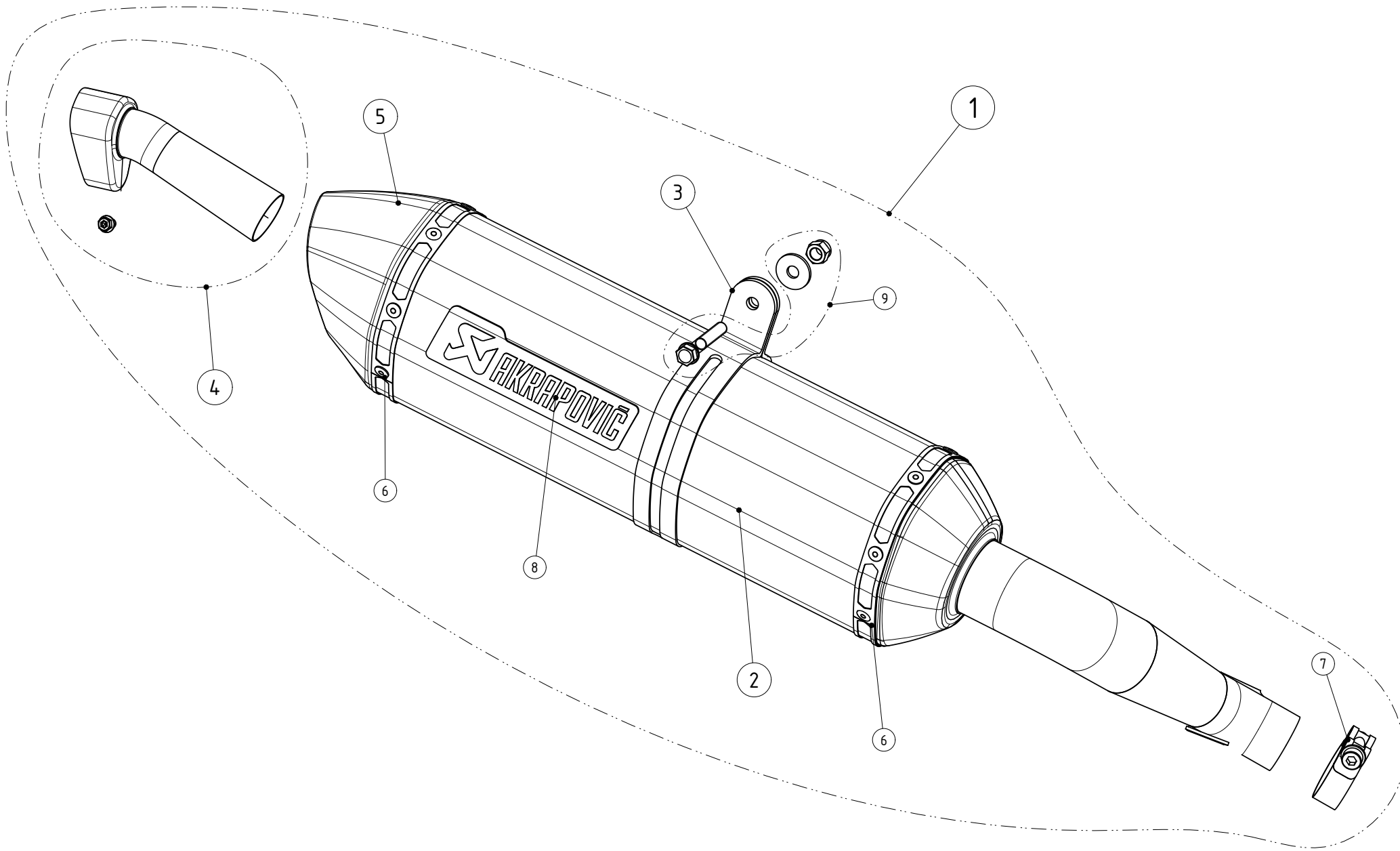
measured with: Honda NC 700S 2012

HONDA NC 700X/S

STOCK

AKRAPOVIC SLIP-ON





MUFFLER REPAIR KITS	
REPACK	10
SLEEVE	11

No.	SALES CODE	DESCRIPTION	QTY.
1	S-H7SO1-HT	S HO Integra SO 012 MST R H	1
2	M-HR03102T	M HSO S40R1 T380/50 C69×49R5 Integra	1
3	P-MCTR27	MC CA R TI 25/8,5/98/32 TR27	1
4	V-TUV052	vložek ses. HOM SS D32/90/65×46/22° Dkon	1
5	V-EC31	SRO zad. CA R5 TI za BMW K1200S,R E,R 05	1
6	P-TT13	trak zak. TI L=410 S=16 R TI TT13	2
7	P-R53	objemka SS D40,5×16,5 M8×30	1
8	P-HST2AL	nalepka Akrap. HOR 150 AL	1
9	P-HF676	montažni set HO Integra SO 012 M	1
10	P-RPCK49	MMRCK tip 49	1
11	P-RKS325RT38	MRRSK TIP 325	1