



Honda CBR 600 RR (2006)

Slip-On Exhaust System

# Akrapovic Slip-On Exhaust System

for the Honda CBR 600 RR (2006)

Despite the racing character of the bike, the Akrapovic SLIP-ON exhaust system is designed for recreational riders who are looking for increased performance without a major exhaust system modification, and the looks enhancement provided by the HEXAGONAL muffler, which fits beautifully with the lines of the motorcycle (SP series: oval muffler design). Riders who require maximum performance should see our Akrapovic Racing and Evolution systems. The Street Legal version and SP series of the Akrapovic Slip-On system has a noise damper installed in the muffler which conforms to all requirements for street use.

## PERFORMANCE

Measurements of the Akrapovic SLIP-ON system on the HONDA CBR 600 RR (without muffler insert):

Power & Torque: the system follows the stock power curve at the low end of the rpm range. From 8000 rpm on, the Akrapovic Slip-On adds a significant increase in power, all the way up to the top of the range. This is where the real "working range" of the 600cc Honda supersport begins. Max. increased power is delivered at 8800 rpm. The torque increase is spread throughout the entire rpm range and is suited to more relaxed everyday riding without winding it out at the top of the range.

## CONFIGURATION

The system is composed of a cylindrical stainless steel or titanium link pipe and muffler. They are attached with a sleeve joint secured with two springs. The joint between the link pipe and the stock header assembly is identical, but is secured using a metal clamp. The muffler is the HEXAGONAL design (SP series: oval muffler design) and fits extremely well with the lines of the Honda. For models with the stainless steel link pipe the muffler is composed of a stainless steel inlet cap and perforated inner sleeve, and a carbon fiber outlet cap. Models with the titanium link pipe have a titanium inlet cap and perforated inner sleeve, and a carbon fiber outlet cap. The outer sleeve is available in either titanium or carbon fiber. The muffler is attached to the frame using an Akrapovic carbon fiber clamp.

The Street Legal version and SP series have a noise damper installed in the muffler which conforms to all exhaust system noise level requirements for street use.

	PERFORMANCE		
	stock	AKRAPOVIC	max. increased power
max. rear wheel power HP / rpm (measured on Dynojet ATV)	108.8 / 13600	110.9 / 13750	3.5 / 8600

	CONFIGURATION		
	header tubes	collector	link pipe
material	-	-	STAINLESS STEEL TITANIUM
tube shape	-	-	CYLINDRICAL

interference crossover tubes	-	lambda sensor	-
header tube inner sleeves	-	header tube flanges	-
header tubes - collector connection	-	collector / header tube - link pipe connection	SLEEVE JOINT + METAL CLAMP
link pipe - muffler connection	SLEEVE JOINT + SILICON SHIELDED SPRING	muffler inlet cap / outlet cap	STAINLESS STEEL, TITANIUM / CARBON-FIBER, (STAINLESS STEEL (SP series))
muffler metal interior	STAINLESS STEEL TITANIUM	muffler outer sleeve	TITANIUM CARBON-FIBER
muffler clamp	CARBON-FIBER	muffler bracket	-
muffler insert	EU	NOISE DAMPER	heat shield
	US	-	catalytic converter

	ADDITIONAL DATA				
	stock	AKRAPOVIC		difference	
		S.S. link pipe	TITANIUM link pipe	stock - S.S.	stock - titanium
weight comparison (kg)	4.13	2.42	1.80	1.71	2.33
noise measurements (dB / rpm)	stock		AKRAPOVIC		
	94 / 6500		94 / 6500 (homologated) 101.5 / 6500 (open)		
possibility of periodic service without removing A.E.S.	oil		oil filter		
	YES		YES		
legal for street use	NO / YES (Street Legal version & SP series)				

Technical specifications of Akrapovic exhaust systems and related products subject to change without notice.

Product code: 106069 (SS-H6SO10-HLT), 106070 (SS-H6SO10-HLC) SP Series street legal  
 106133 (S-H6SO10-WC), 106132 (S-H6SO10-WT)  
 106137 (S-H6SO10T-WC), 106136 (S-H6SO10T-WT) titanium link pipe  
 106131 (S-H6SO10-HWC), 106130 (S-H6SO10-HWT) homologated  
 106135 (S-H6SO10T-HWC), 106134 (S-H6SO10T-HWT) homologated titanium link pipe

# Akrapovic Slip-On Exhaust System

for the Honda CBR 600 RR (2006)



CARBON-FIBER  
MUFFLER CLAMP

Product code: 106069 (SS-H6SO10-HLT), 106070 (SS-H6SO10-HLC) SP Series street legal  
 106133 (S-H6SO10-WC), 106132 (S-H6SO10-WT)  
 106137 (S-H6SO10T-WC), 106136 (S-H6SO10T-WT) titanium link pipe  
 106131 (S-H6SO10-HWC), 106130 (S-H6SO10-HWT) homologated  
 106135 (S-H6SO10T-HWC), 106134 (S-H6SO10T-HWT) homologated titanium link pipe

# Akrapovic Slip-On Exhaust System

for the Honda CBR 600 RR (2006)



Product code: 106069 (SS-H6SO10-HLT), 106070 (SS-H6SO10-HLC) SP Series street legal  
 106133 (S-H6SO10-WC), 106132 (S-H6SO10-WT)  
 106137 (S-H6SO10T-WC), 106136 (S-H6SO10T-WT) titanium link pipe  
 106131 (S-H6SO10-HWC), 106130 (S-H6SO10-HWT) homologated  
 106135 (S-H6SO10T-HWC), 106134 (S-H6SO10T-HWT) homologated titanium link pipe

# Akrapovic Slip-On Exhaust System for the Honda CBR 600 RR (2006)

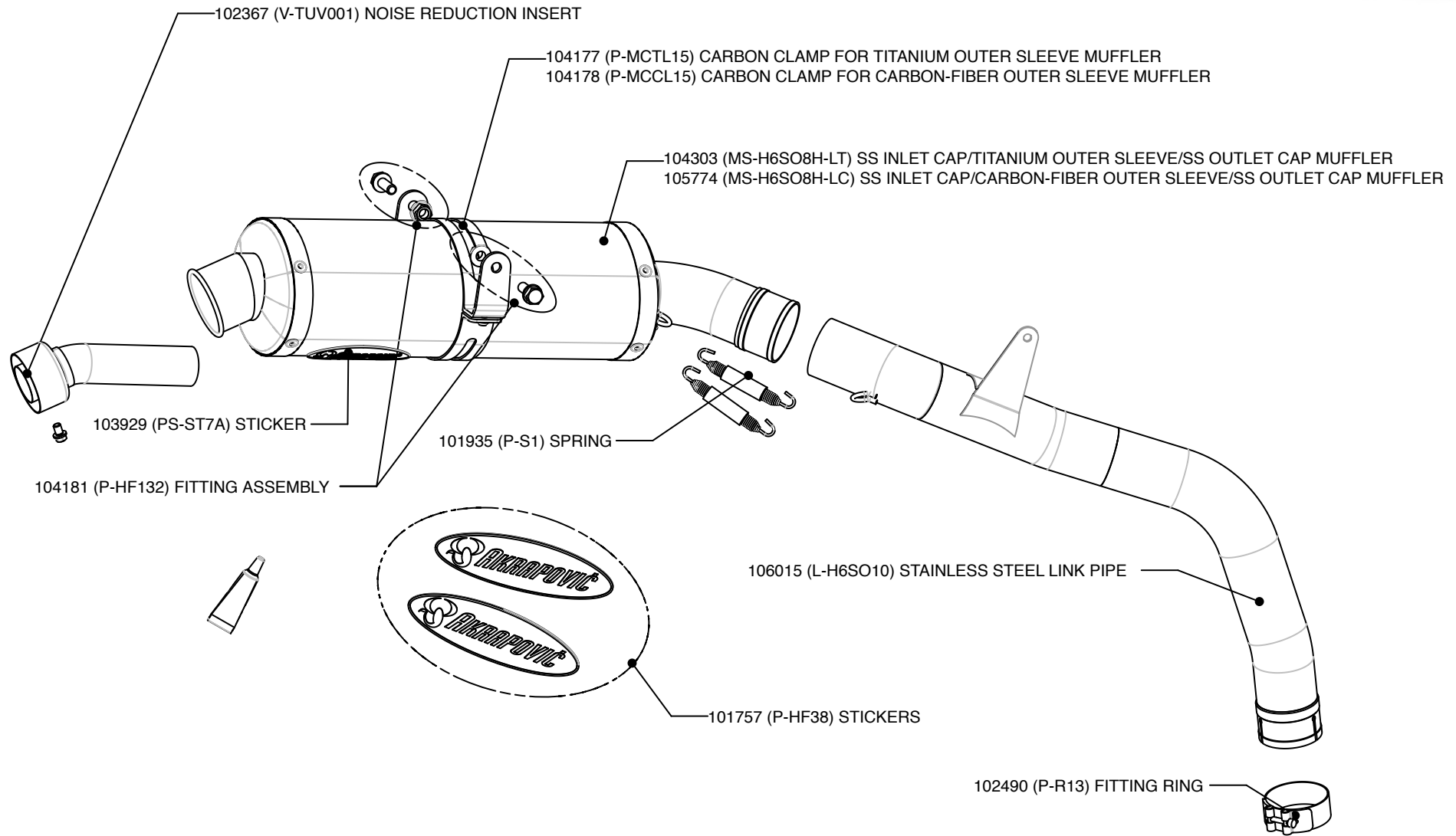
Akrapovic Exhaust System Technology copyright 2006, all rights reserved



Road Program

Product code: 106069 (SS-H6SO10-HLT), 106070 (SS-H6SO10-HLC) SP Series street legal  
106133 (S-H6SO10-WC), 106132 (S-H6SO10-WT)  
106137 (S-H6SO10T-WC), 106136 (S-H6SO10T-WT) titanium link pipe  
106131 (S-H6SO10-HWC), 106130 (S-H6SO10-HWT) homologated  
106135 (S-H6SO10T-HWC), 106134 (S-H6SO10T-HWT) homologated titanium link pipe

# Akrapovic Slip-On Exhaust System for the Honda CBR 600 RR (2006)

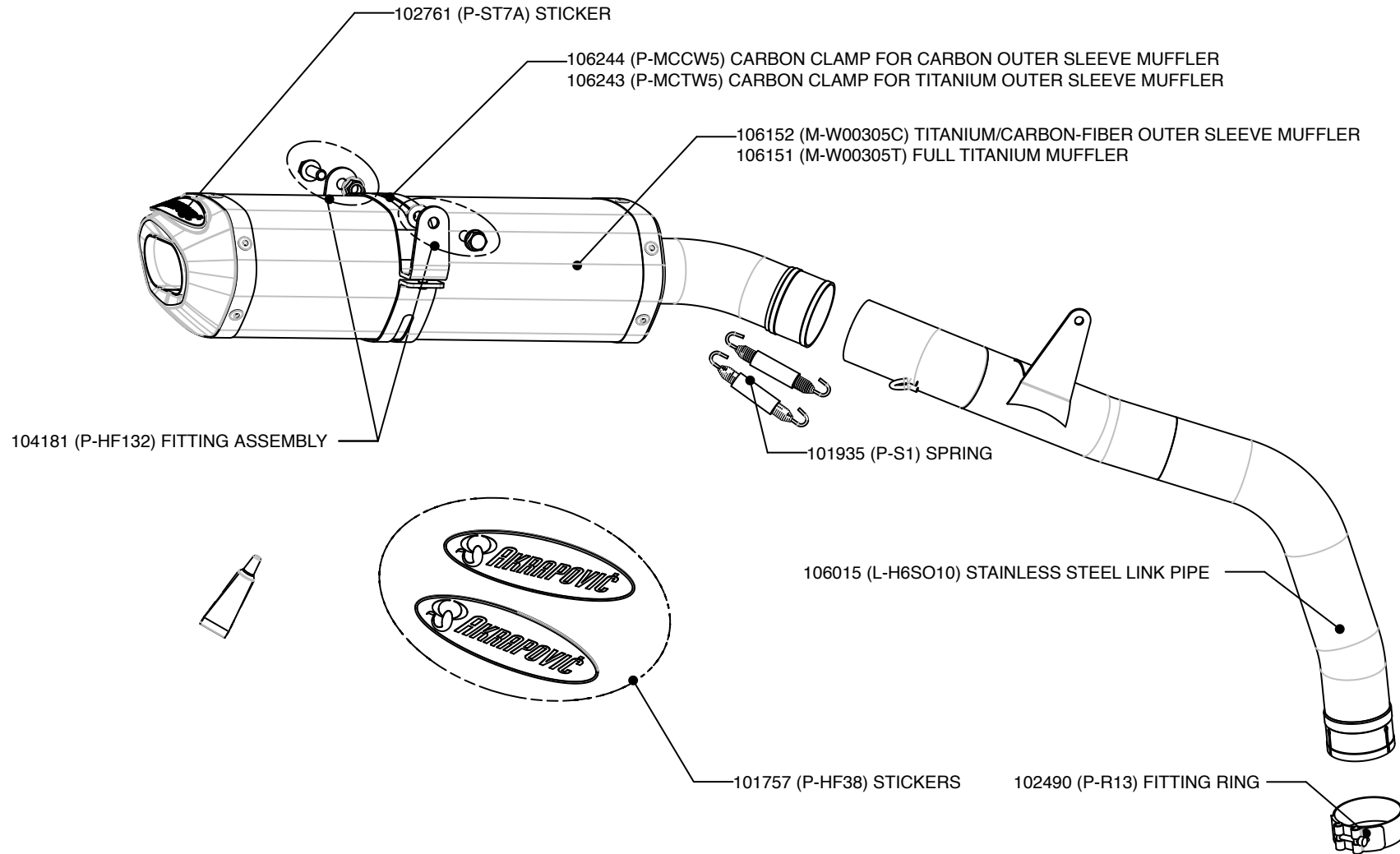


Akrapovic Exhaust System Technology copyright 2006, all rights reserved

Road Program

Product code: 106069 (SS-H6SO10-HLT), 106070 (SS-H6SO10-HLC) SP Series street legal

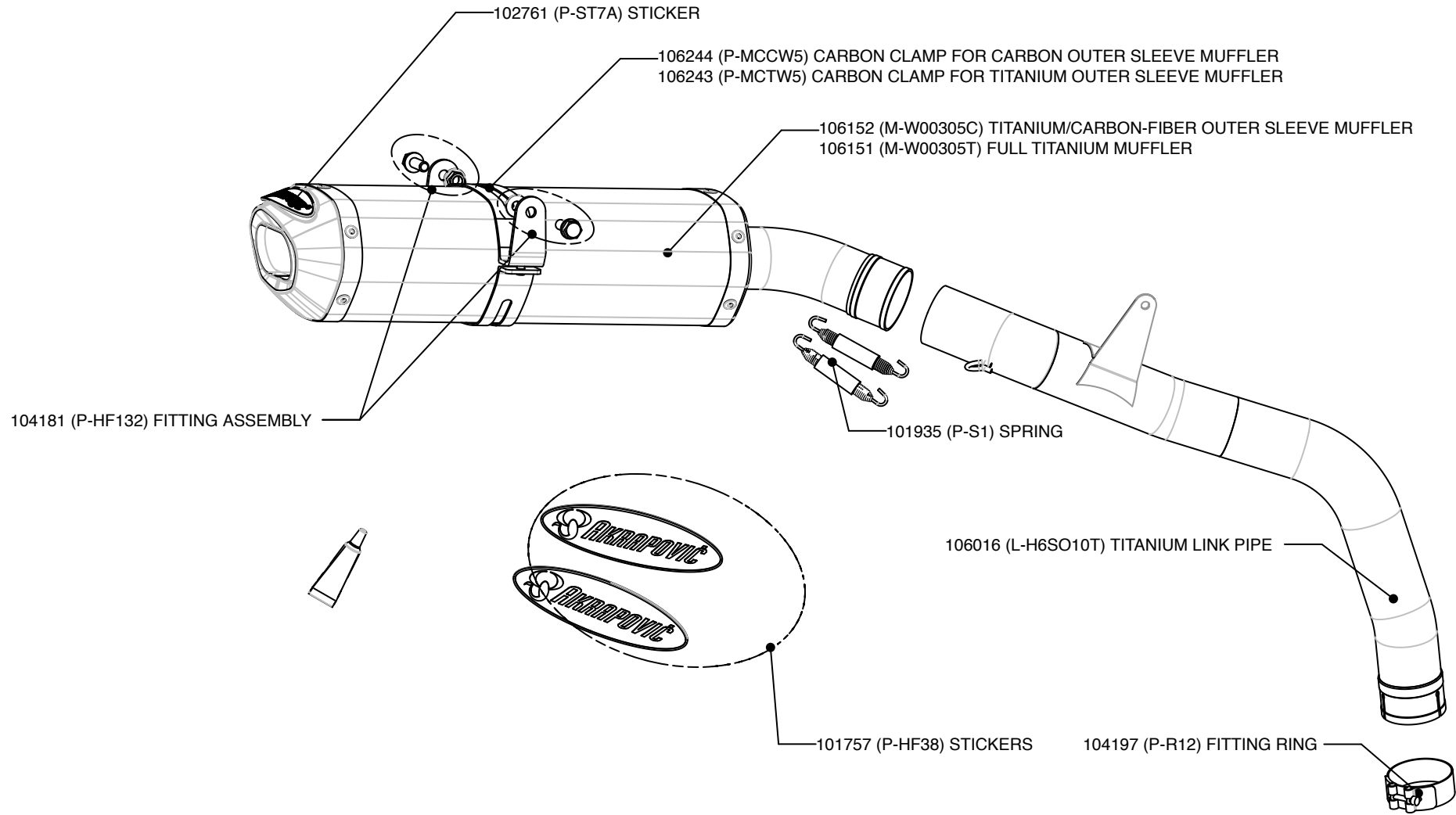
# Akrapovic Slip-On Exhaust System for the Honda CBR 600 RR (2006)



Road Program

Product code: 106133 (S-H6SO10-WC), 106132 (S-H6SO10-WT)

# Akrapovic Slip-On Exhaust System for the Honda CBR 600 RR (2006)



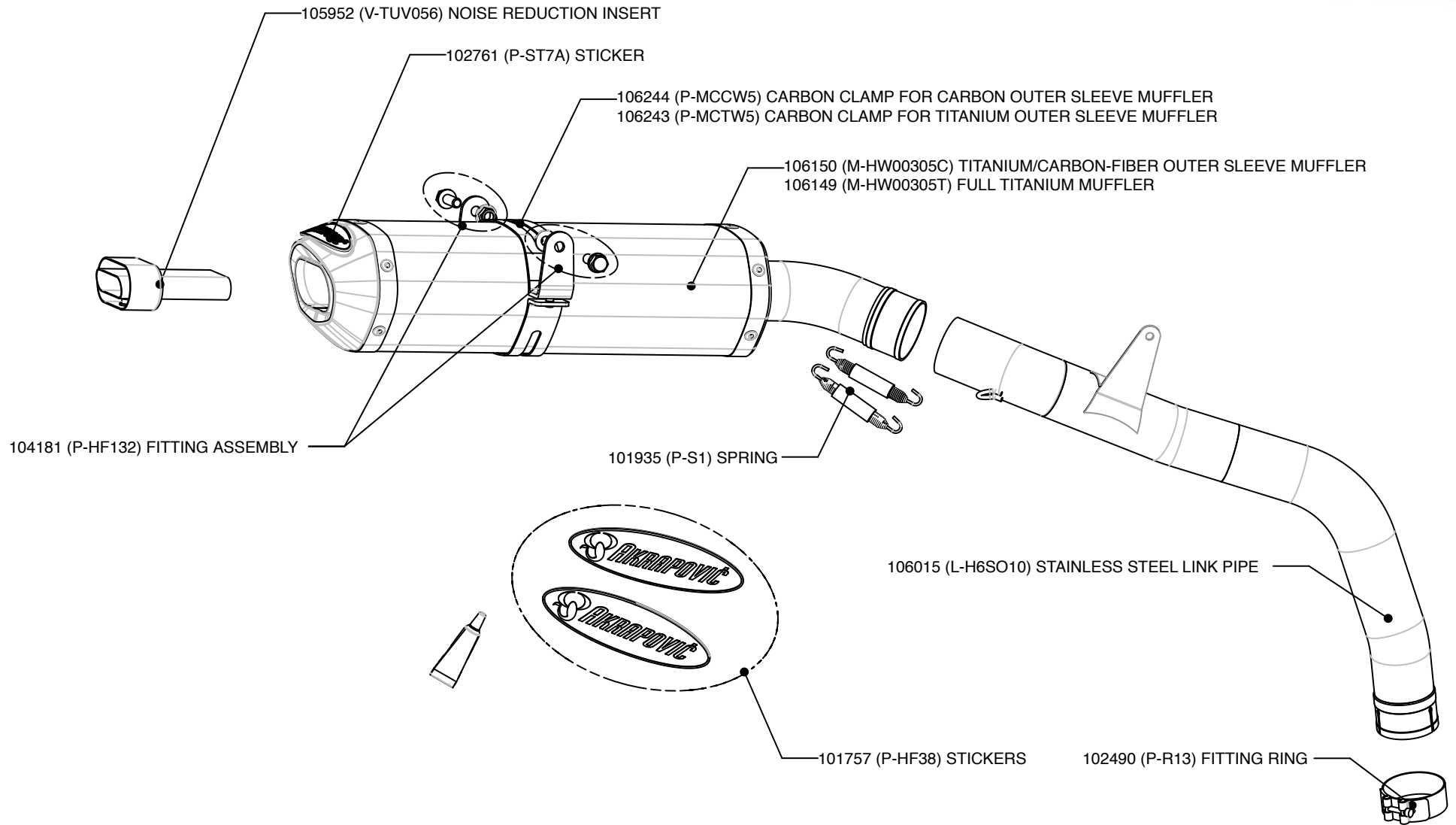
Product code: 106137 (S-H6SO10T-WC), 106136 (S-H6SO10T-WT) titanium link pipe

Road Program

Akrapovic Exhaust System Technology copyright 2006, all rights reserved



# Akrapovic Slip-On Exhaust System for the Honda CBR 600 RR (2006)

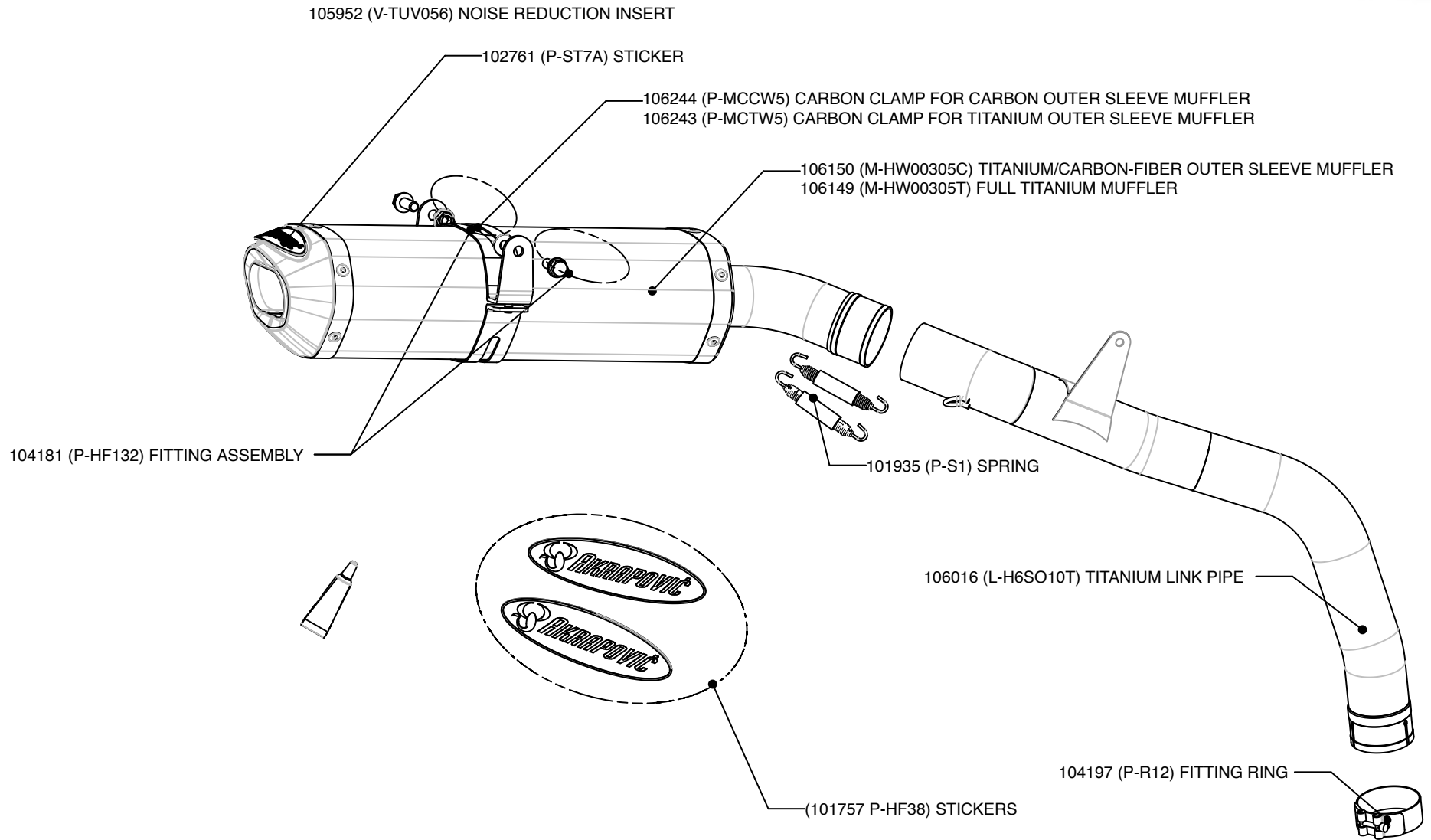


Akrapovic Exhaust System Technology copyright 2006, all rights reserved

Road Program

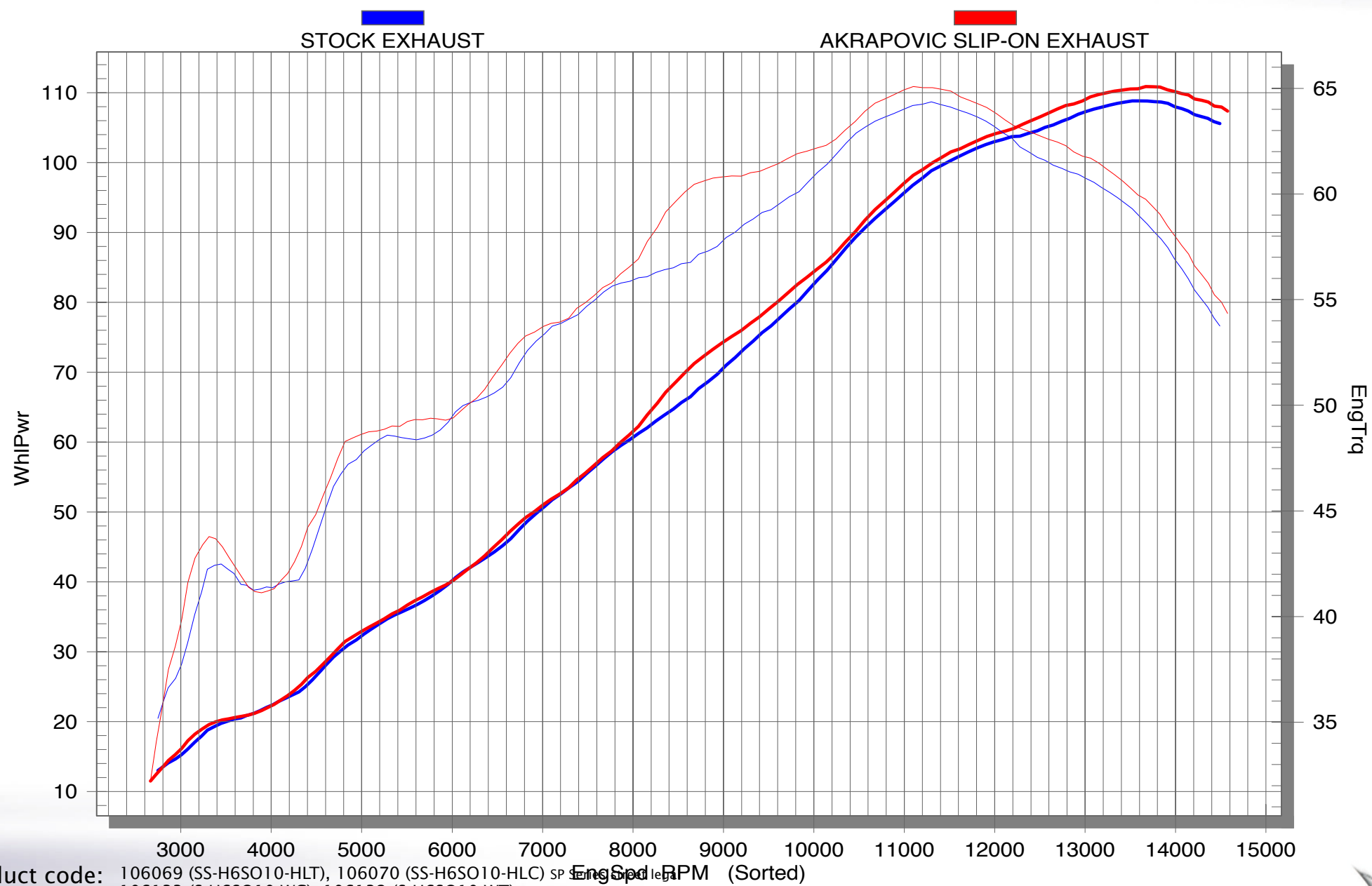
Product code: 106131 (S-H6SO10-HWC), 106130 (S-H6SO10-HWT) homologated

# Akrapovic Slip-On Exhaust System for the Honda CBR 600 RR (2006)



Product code: 106135 (S-H6SO10T-HWC), 106134 (S-H6SO10T-HWT) homologated titanium link pipe

# Akrapovic Slip-On Exhaust System for the Honda CBR 600 RR (2006)



Road Program

Product code: 106069 (SS-H6SO10-HLT), 106070 (SS-H6SO10-HLC) SP  
 106133 (S-H6SO10-WC), 106132 (S-H6SO10-WT)  
 106137 (S-H6SO10T-WC), 106136 (S-H6SO10T-WT) titanium link pipe  
 106131 (S-H6SO10-HWC), 106130 (S-H6SO10-HWT) homologated  
 106135 (S-H6SO10T-HWC), 106134 (S-H6SO10T-HWT) homologated titanium link pipe

[www.akrapovic-exhaust.com](http://www.akrapovic-exhaust.com)



Akrapovic Exhaust System Technology copyright 2006, all rights reserved