



## Racing Line (Carbon)

Product code: **S-H125R10-ZC**  
MSRP ex. VAT: **474.17 €**

The Akrapovič Racing system is designed for riders who demand maximum performance. Racing system is lighter if compared to stock exhaust system and features exceptional production quality, hi-tech materials and of course increased engine performance combined with pure racing sound output.

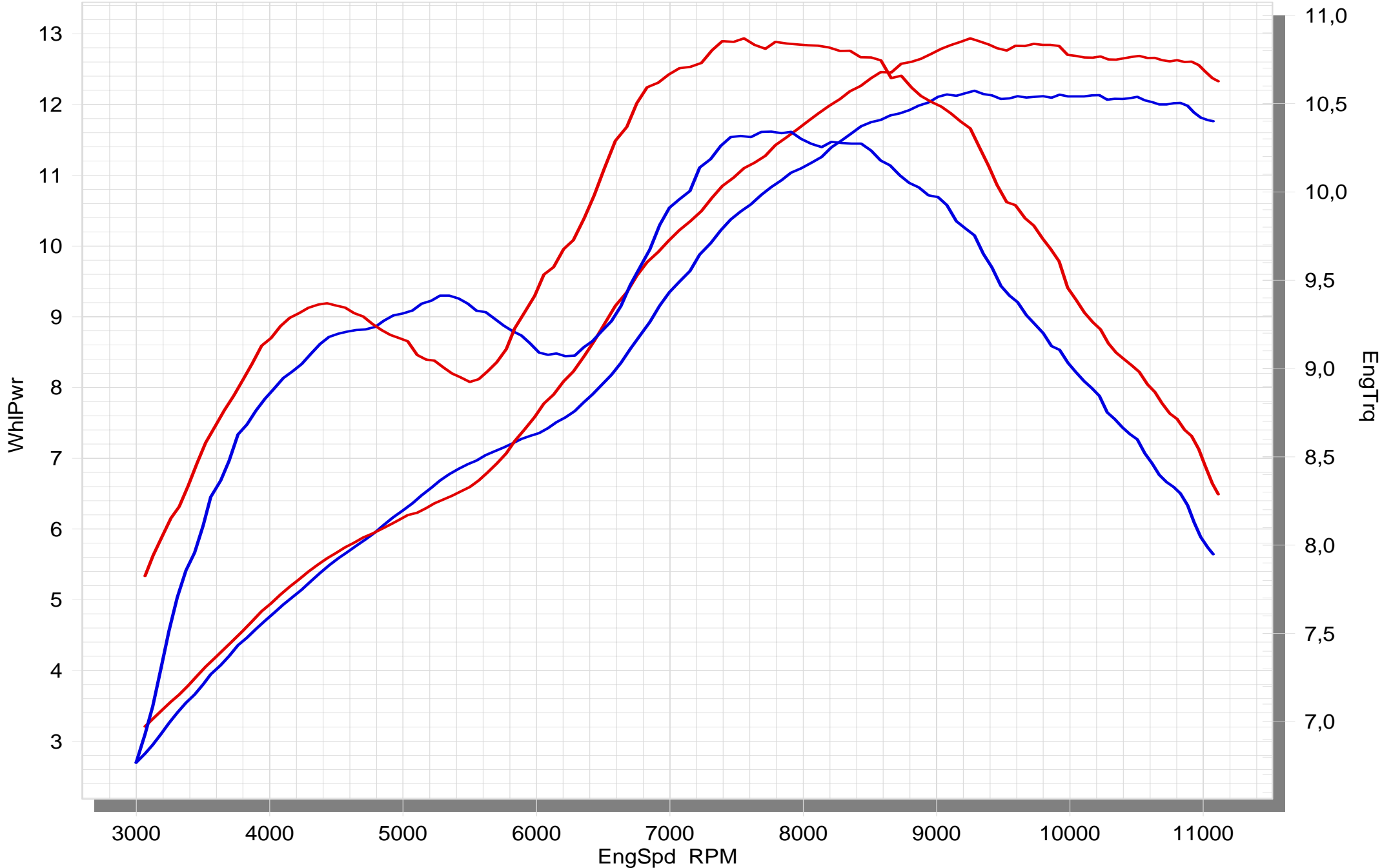
<b>TECHNICAL DATA</b>	<b>UNIT</b>	<b>STOCK</b>	<b>AKRAPOVIČ</b>	<b>DIFFERENCE</b>
maximum power	kW	9 at 9280 rpm	9.5 at 9250 rpm	+ 0.6 at 9170 rpm
	HP (m)	12.2 at 9280 rpm	12.9 at 9250 rpm	+ 0.8 at 9170 rpm
	HP (i)	12 at 9280 rpm	12.7 at 9250 rpm	+ 0.8 at 9170 rpm
maximum torque	Nm	10.3 at 7680 rpm	10.9 at 7550 rpm	+ 1 at 6670 rpm
	lb-ft	7.6 at 9280 rpm	7 at 9250 rpm	+ 0.4 at 9170 rpm
weight	kg	5.6	4.1	- 1.5
	lb	12.3	12.3	- 3.3
static noise level	dB	82	82	0
	rpm	5000	5000	0

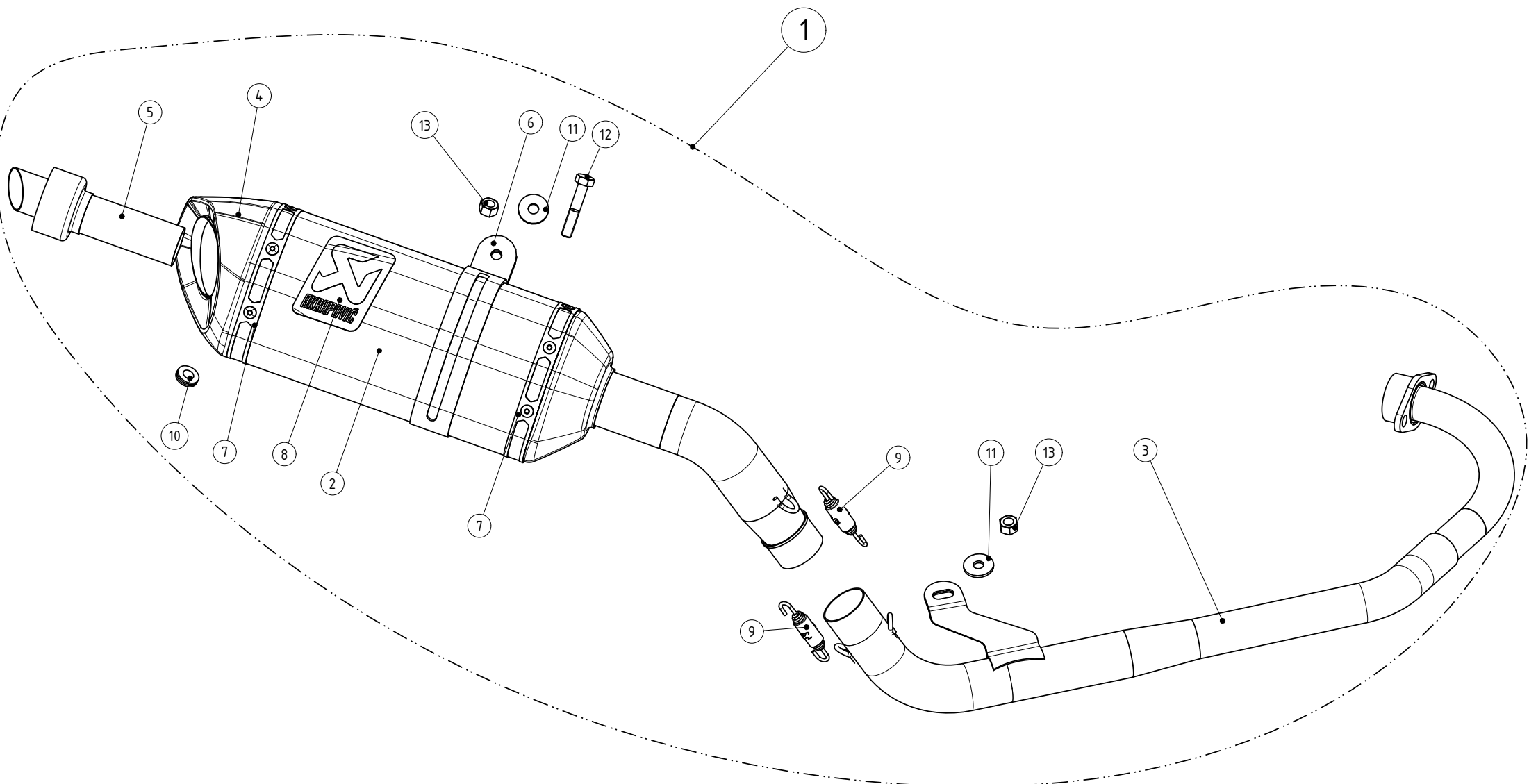


# HONDA CBR125 R

ORIGINAL

RACING - OPEN





MUFFLER REPAIR KITS	
REPACK	14
SLEEVE	15

No.	SALES CODE	DESCRIPTION	QTY.
1	S-H125R10-ZC	S HO CBR125R OPEN HSMSS 11	1
2	M-Z04902C	M R CBR125R S38Z1 C320/45 C53Z9/32	1
3	H-H125R2	HE SS D38 HO CBR125	1
4	V-EC134	SRO zad. CA Z9 CA za YA YZF-R125 08-11	1
5	V-TUV110	vložek ses. HOM SS D32/82/48/59° DTUV110	1
6	P-MCCZ3	MC CA Z CA 6/8,5/90/32 CZ3	1
7	P-TT19	trak zak. TI L=386 S=16 Z CA TT19	2
8	P-VST2AL	nalepka Akrap. VER 75 AL	1
9	P-S2	vzmet SS D10×60 Tip1 z zašč. gumo S2	2
10	P-GUV004	gumi vložek D18 nased-D13 logotip	1
11	P-DR4	podložka SS D8,5/D24×2 ISO7093	2
12	P-FB23	vijak šest. prirob FE M8×45 SC	1
13	P-FN4	matica šestr. prirob FE M8 SC DIN 6923	2
14	P-RPCK48	MMRCK tip 48	1
15	P-RKS224ZC32	MRRSK tip 224 ZC32 C320Z	1