



# HONDA CBR 1000 RR ABS (2009)

RACING & EVOLUTION EXHAUST SYSTEM

Akrapovic Racing and Evolution systems are designed for riders who demand maximum performance from their motorcycle. Both systems are significantly lighter if compared to stock exhaust system and feature exceptional production quality, hi-tech materials and of course increased engine performance combined with pure racing sound output. The Akrapovic Racing and Evolution systems were developed to complement the racing character of the Fireblade. Evolution system is made entirely of our exclusive high grade titanium while Racing system uses stainless steel header tubes and link pipe. We offer titanium or carbon-fiber mufflers for each combination. Both systems are not street legal and are designed for racing purpose only.

**PERFORMANCE**

Measurements of the Akrapovic EVOLUTION system with single muffler on the HONDA CBR 1000 RR ABS (without muffler insert):

Power & Torque: The power increase with the Akrapovic system is substantial, and can be seen from 4800 rpm right to the top of the range. At 12310 rpm we measured 174 HP, with max. increased power of 4.7 HP at 12750 rpm. The system's effect on the torque and power curve is huge through the entire rpm range. The main increase starts at around 3500 rpm and continues right into the over-rev range. All this will help you shave lap times and result in much smoother ride.



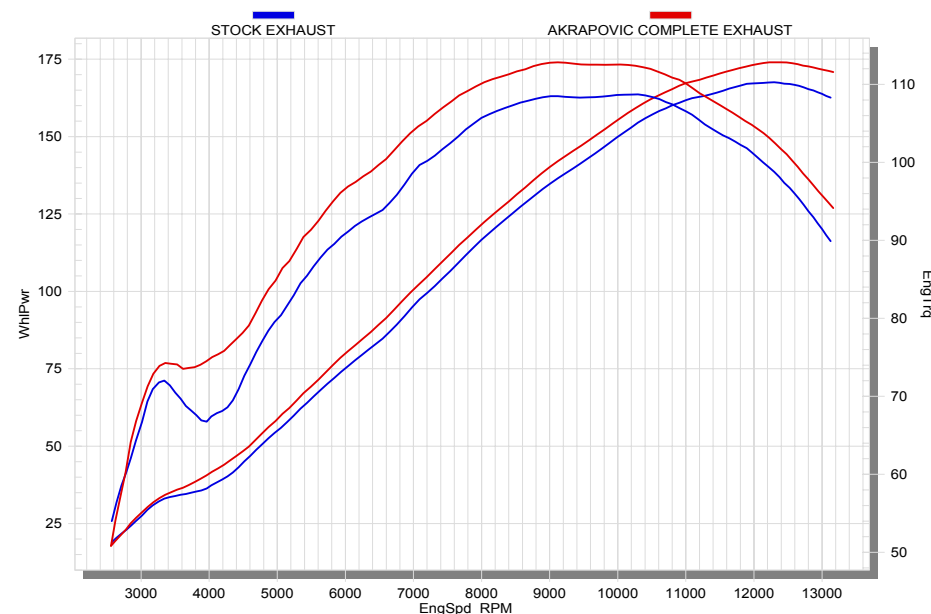
PERFORMANCE			
	stock	AKRAPOVIC	max. increased power
max. rear wheel power HP / rpm (measured on Dynojet ATV)	170.6 / 12290	174 / 12310	4.7 / 12750

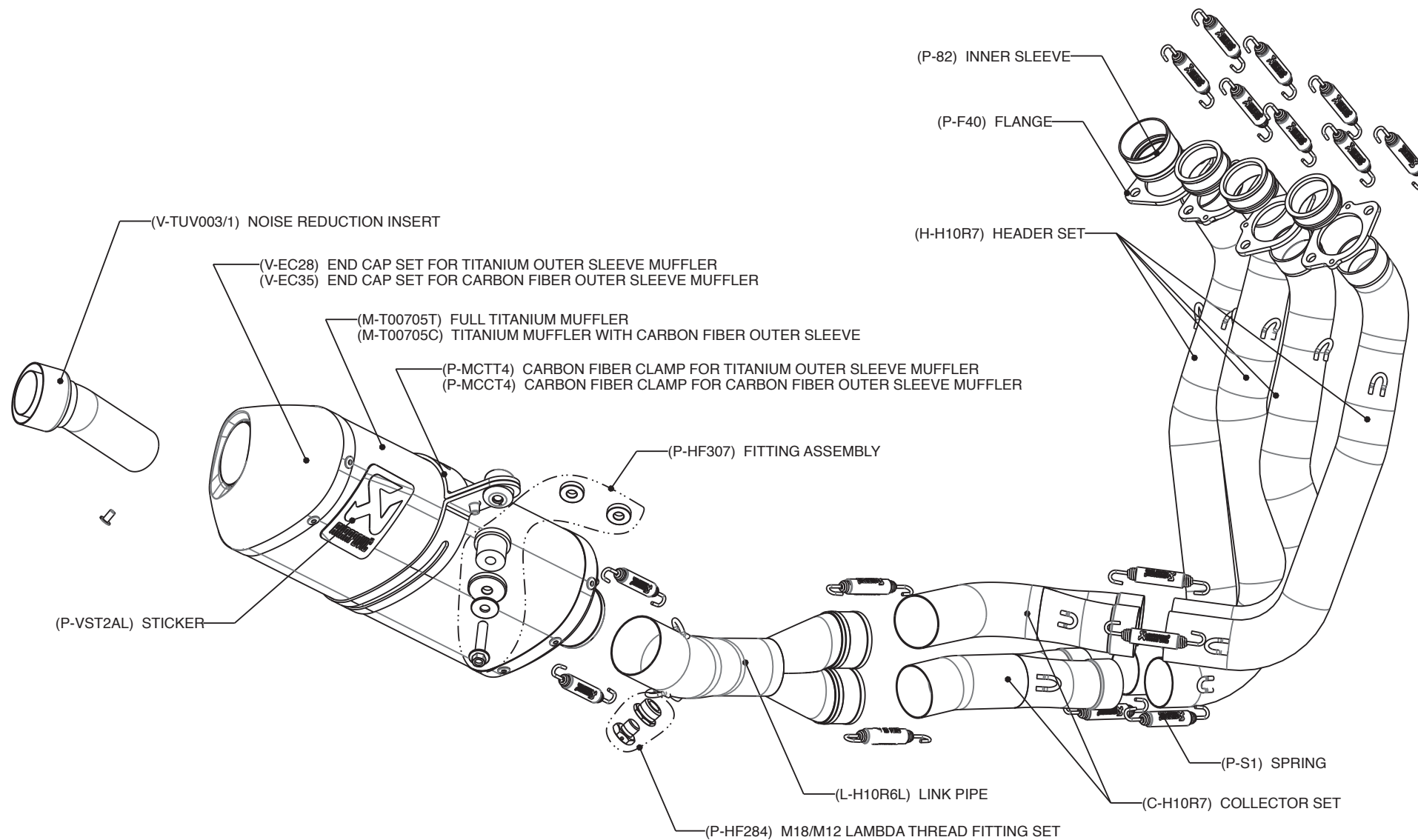
ADDITIONAL DATA					
weight comparison (kg)	stock	AKRAPOVIC		difference	
	9.01	RACING	EVOLUTION	stock - RACING	stock - EVOLUTION
		4.98	3.77	4.03	5.24

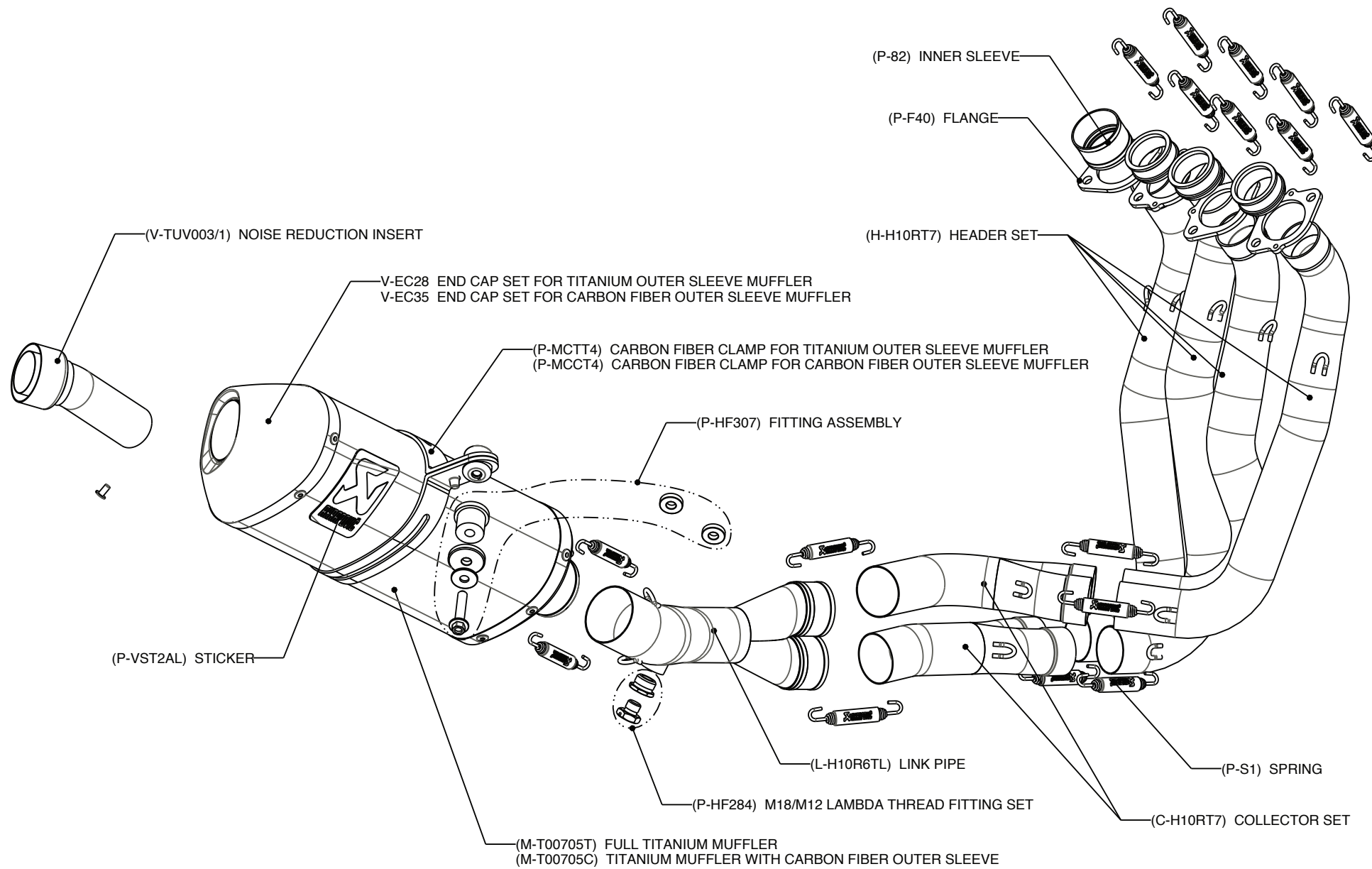
noise measurements (dB / rpm)	stock	AKRAPOVIC
		99 / 6000
legal for street use	NO	

Technical specifications of Akrapovic exhaust systems and related products subject to change without notice.

Product code: (110899) S-H10R7-TC, (110898) S-H10R7-TT Racing line Open  
 (110897) S-H10RFT8TL-TC, (110896) S-H10RFT8TL-TT Evolution line Open  
 (110914) S-H10R7-TC/1, (110913) S-H10R7-TT/1 Racing headers with slip-on street legal muffler  
 (110918) S-H10RFT8-TC/1, (110917) S-H10RFT8-TT/1 Evolution headers with slip-on street legal muffler

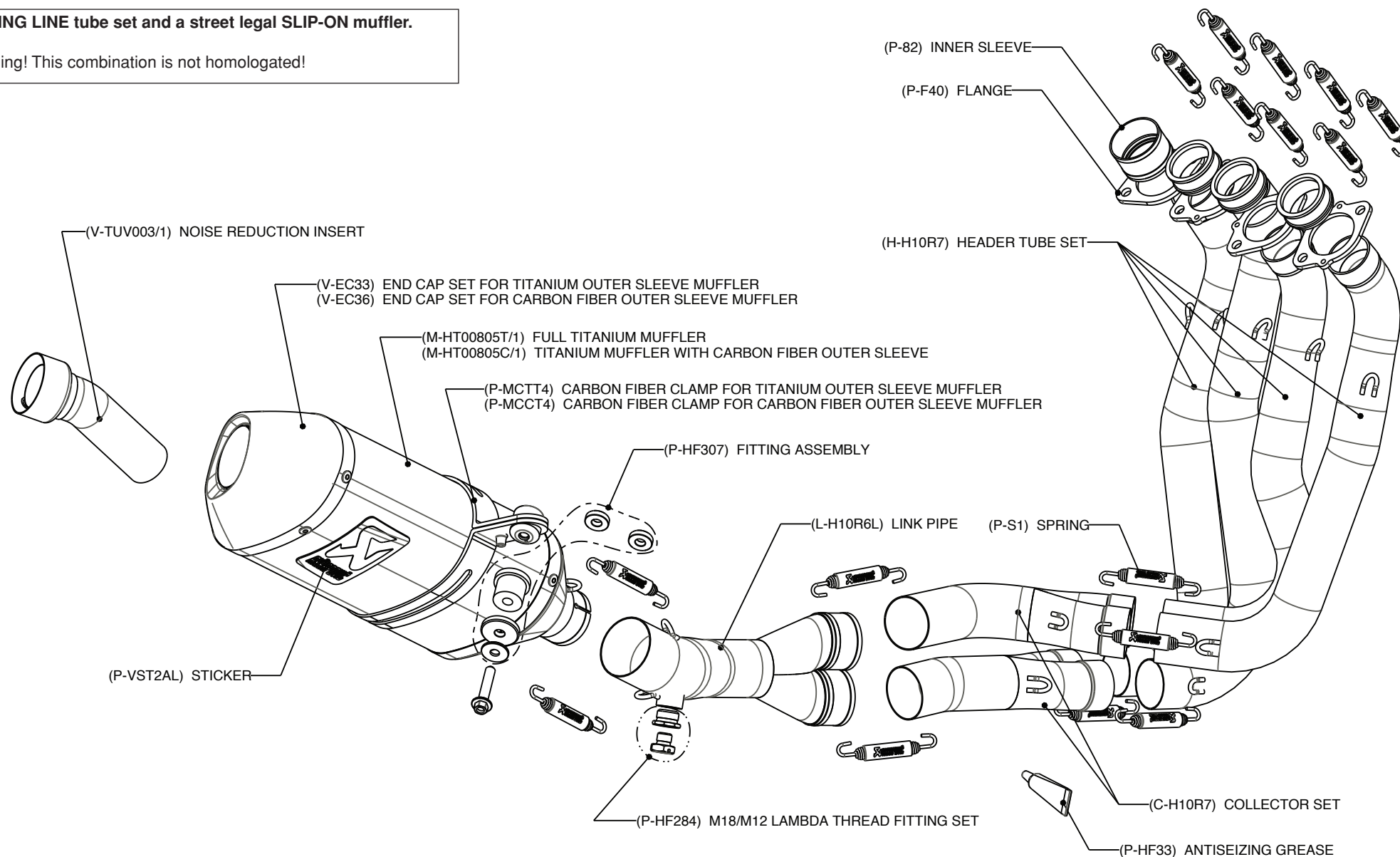






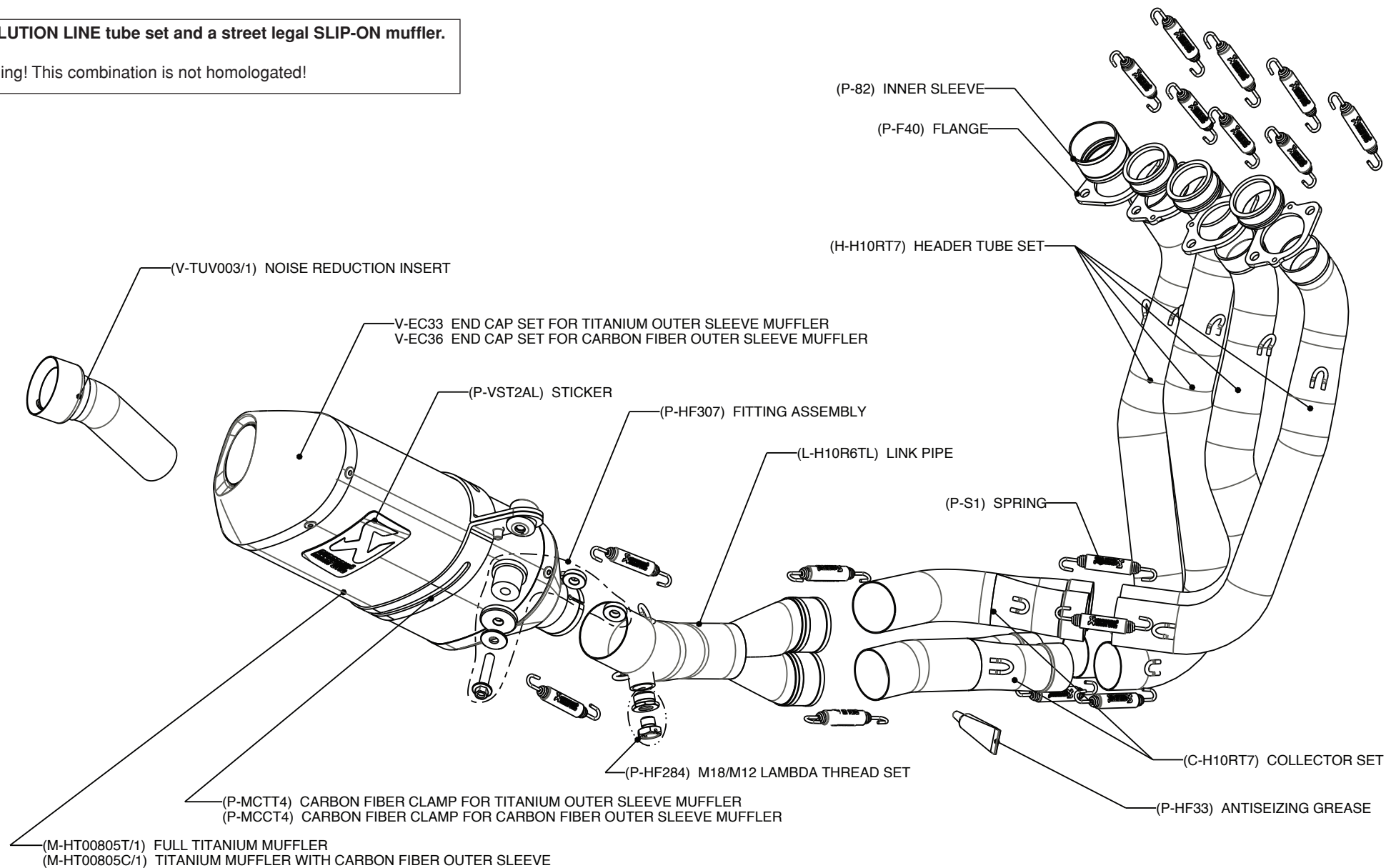
**RACING LINE tube set and a street legal SLIP-ON muffler.**

Warning! This combination is not homologated!





**EVOLUTION LINE tube set and a street legal SLIP-ON muffler.**  
 Warning! This combination is not homologated!



Product code: (110918) S-H10RFT8-TC/1, (110917) S-H10RFT8-TT/1 Evolution headers with slip-on street legal muffler