

GAS GAS EC 200/250/300

SLIP-ON EXHAUST SYSTEM

GAS GAS EC 200/250/300

SLIP-ON EXHAUST SYSTEM

DESCRIPTION

Our sporty and lightweight SLIP-ON exhaust system offer a great balance between price and performance and represent the first step in the exhaust system tuning process. The muffler outer sleeve is made of titanium, end cap is made of carbon fiber. Additionally, the Gas Gas will put out a much more powerful racing sound.

Performance

Measurements of the Akrapovic Slip-On system on the Gas Gas EC 300 (with muffler insert):

Power & Torque: The Akrapovic Slip-on system deliver a performance increase throughout the whole rpm range. The system deliver increased torque through entire power curve, what will additionally help at reducing lap times on the track. Max. increased power of 1.2 HP was measured at 6380 rpm, while max. power of 39.9 HP was measured at 7550 rpm.



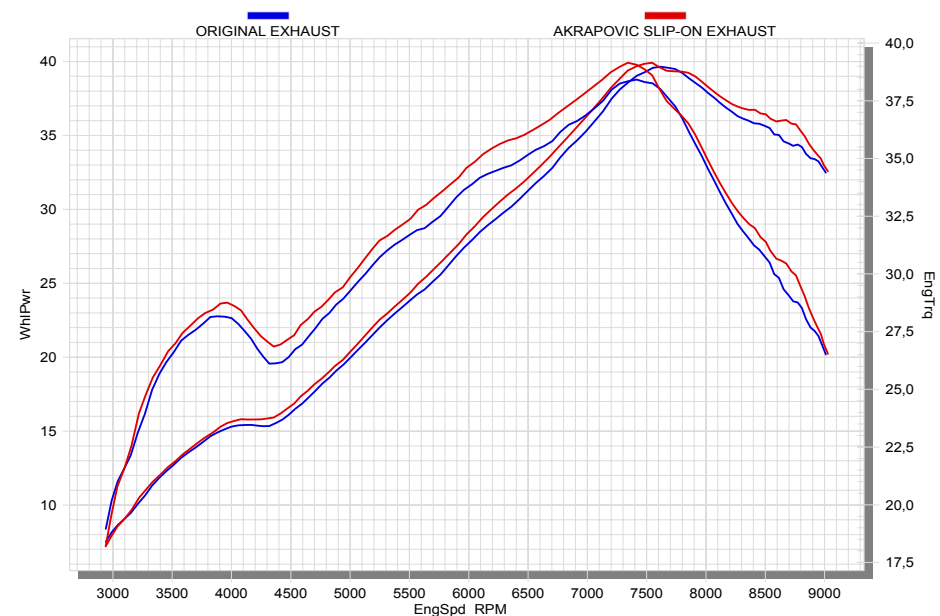
	PERFORMANCE		
	stock	AKRAPOVIC	max. increased power
max. rear wheel power HP / rpm (measured on SuperFlow Cyle Dyn)	39.6 / 7600	39.9 / 7550	1.2 / 6380

weight comparison (kg)	ADDITIONAL DATA				
	stock	AKRAPOVIC		difference	
		SS link pipe	TITANIUM link pipe	stock - S.S.	stock - TITANIUM
1.6	-	1.23	-	0.37	

noise measurements	stock	AKRAPOVIC
	112db 2mMax	112db 2mMax
legal for street use	NO	

Technical specifications of Akrapovic exhaust systems and related products subject to change without notice.

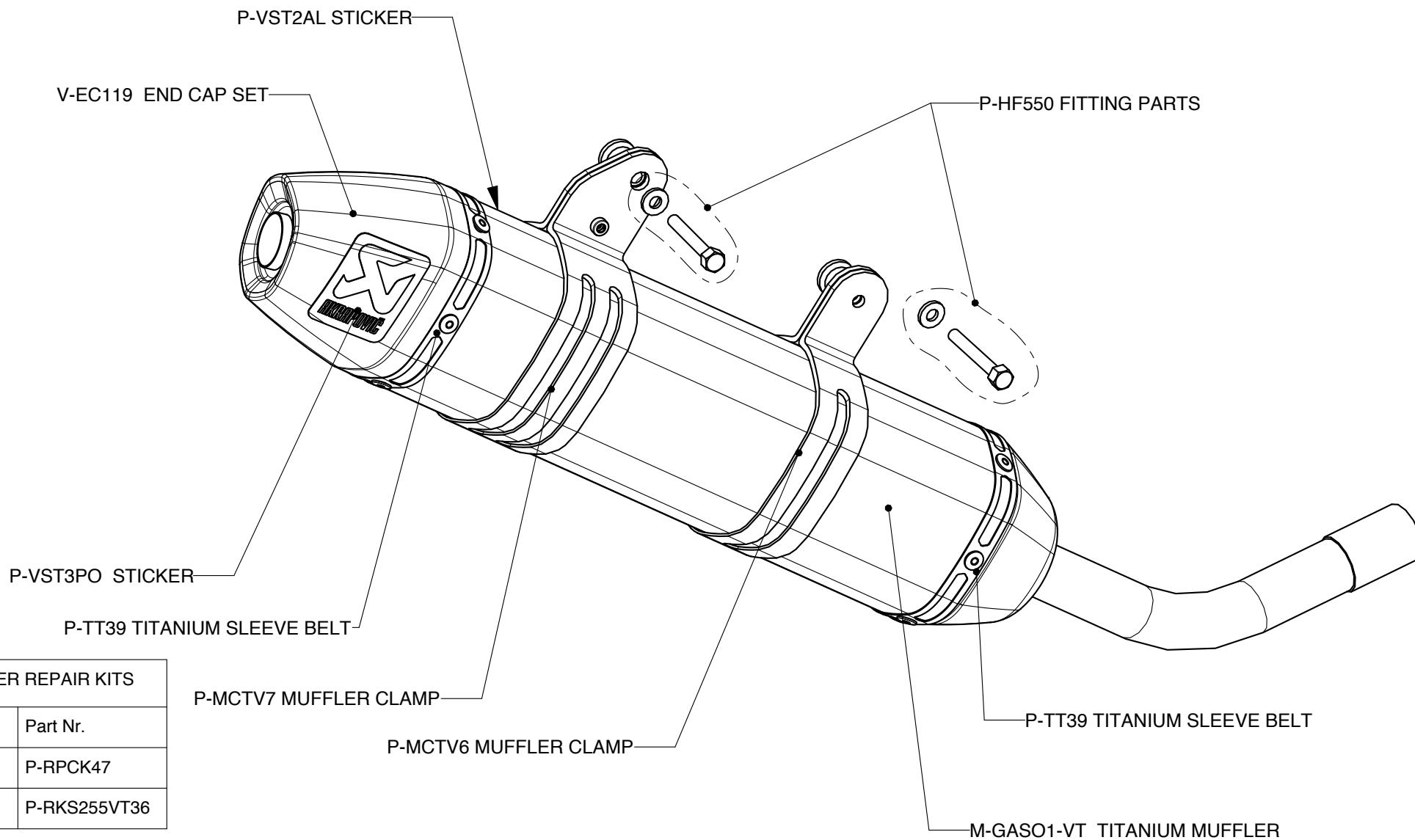
Product code: S-GASO1-VT



www.akrapovic.com

Akrapovic d.d. 2010 all rights reserved

08.12.2010



MUFFLER REPAIR KITS	
KIT	Part Nr.
REPACK	P-RPCK47
SLEEVE	P-RKS255VT36