



BMW S 1000 RR (2010)

RACING & EVOLUTION STREET LEGAL EXHAUST SYSTEM

BMW S 1000 RR (2010)

RACING & EVOLUTION STREET LEGAL EXHAUST SYSTEM

DESCRIPTION

Akrapovic Racing and Evolution systems are designed for riders who demand maximum performance from their motorcycle. Both systems are significantly lighter, if compared to the stock exhaust system and feature exceptional production quality, hi-tech materials and of course increased engine performance combined with pure racing sound output. The Akrapovic street legal Racing and Evolution systems were developed to complement the racing character of the S 1000 RR. The Evolution system is made entirely of our exclusive high grade titanium while the Racing system uses stainless steel header tubes and link pipe. We offer titanium or carbon-fiber muffler for each combination. Both systems are street legal and are equipped with hi-flow catalytic converter and valve.

PERFORMANCE

Measurements of the Akrapovic street legal EVOLUTION system on the BMW S 1000 RR (without muffler insert):

Power & Torque: The power increase with the Akrapovic system is substantial, and can be seen from 5500 rpm right to the top of the range. At 13300 rpm we measured 189.4 HP, with a max. power increase of 9.1 HP at 8200 rpm. The system's effect on the torque and power curve is huge and strongest at midrange rpm.



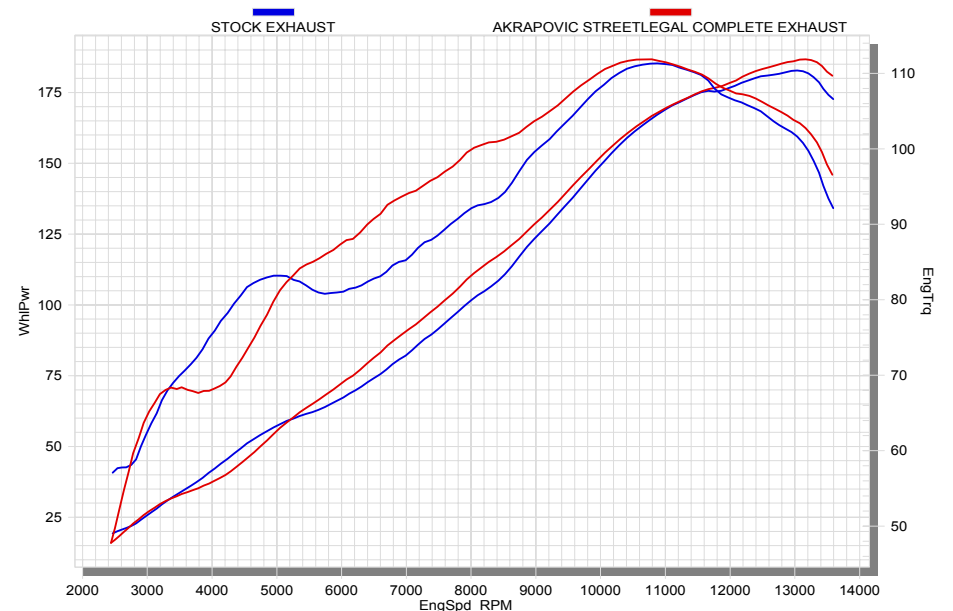
PERFORMANCE			
	stock	AKRAPOVIC	max. increased power
max. rear wheel power HP / rpm (measured on SuperFlow Cycle Dyn)	185,53 / 13120	189.4 / 13300	9.1 / 8200

ADDITIONAL DATA					
weight comparison (kg)	stock	AKRAPOVIC		difference	
	11.76	RACING	EVOLUTION	stock - RACING	stock - EVOLUTION
		6.59	5.08	5.17	6.68

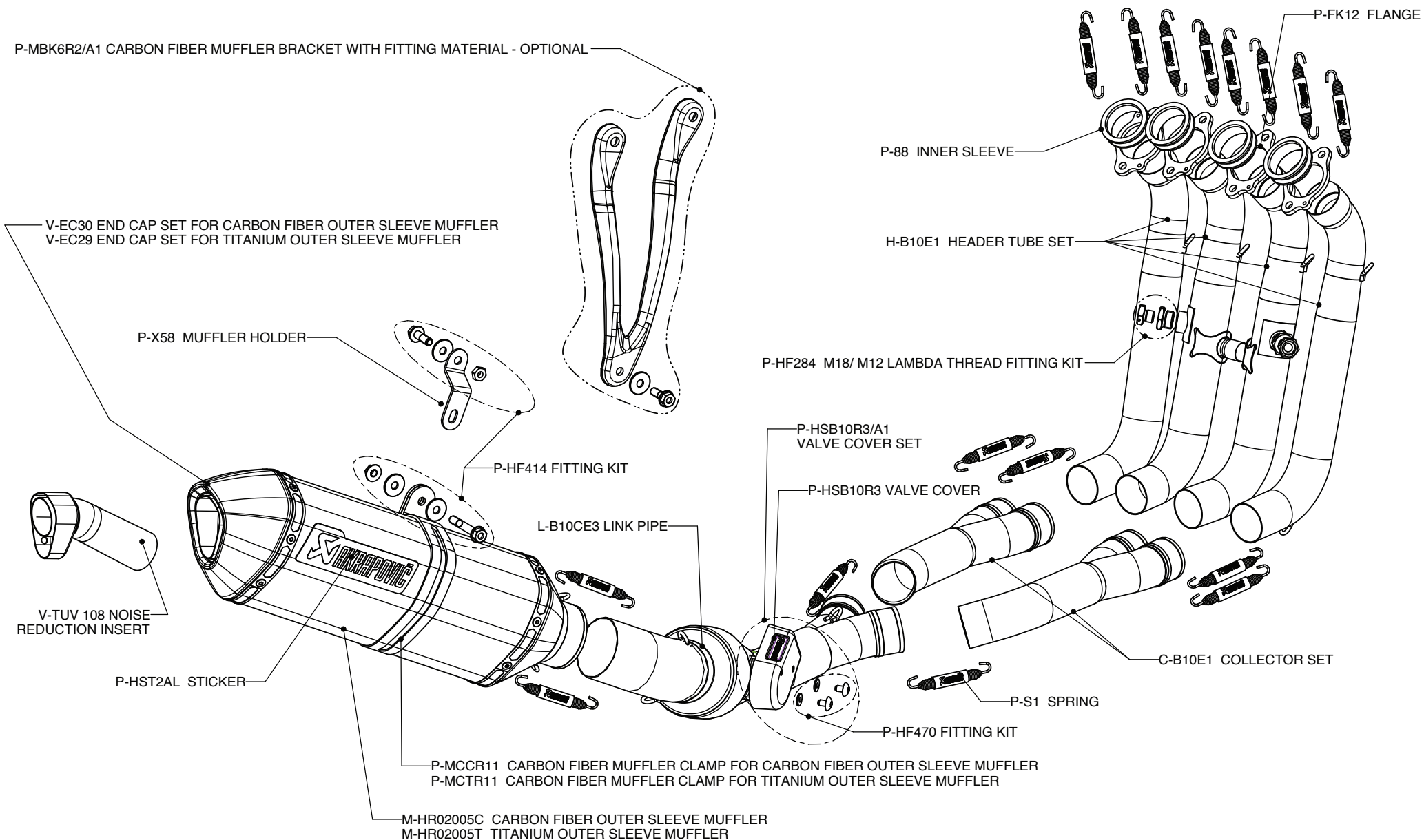
noise measurements (dB / rpm)	stock	AKRAPOVIC
	102 / 6000	102 / 6000
legal for street use	YES	

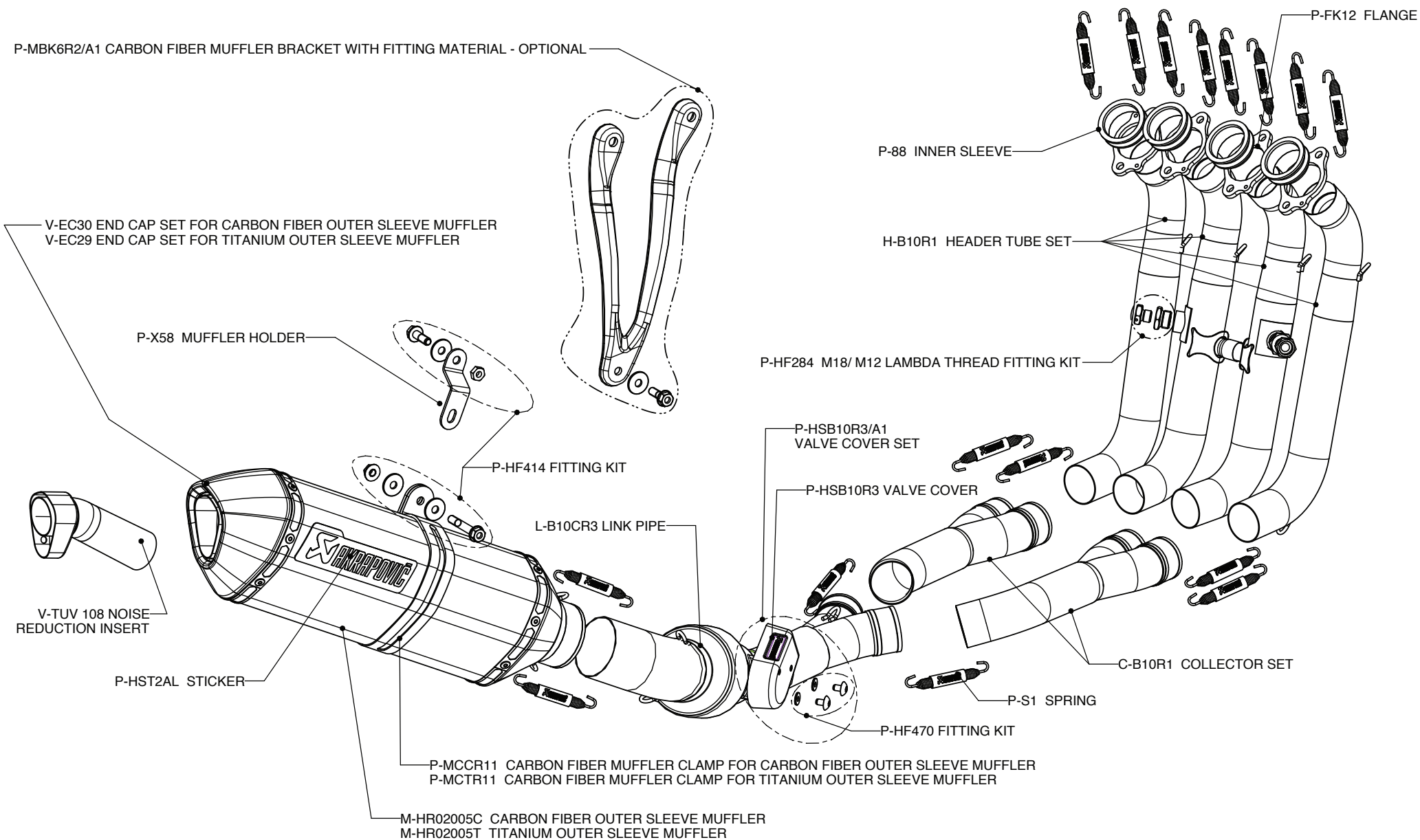
Technical specifications of Akrapovic exhaust systems and related products subject to change without notice.

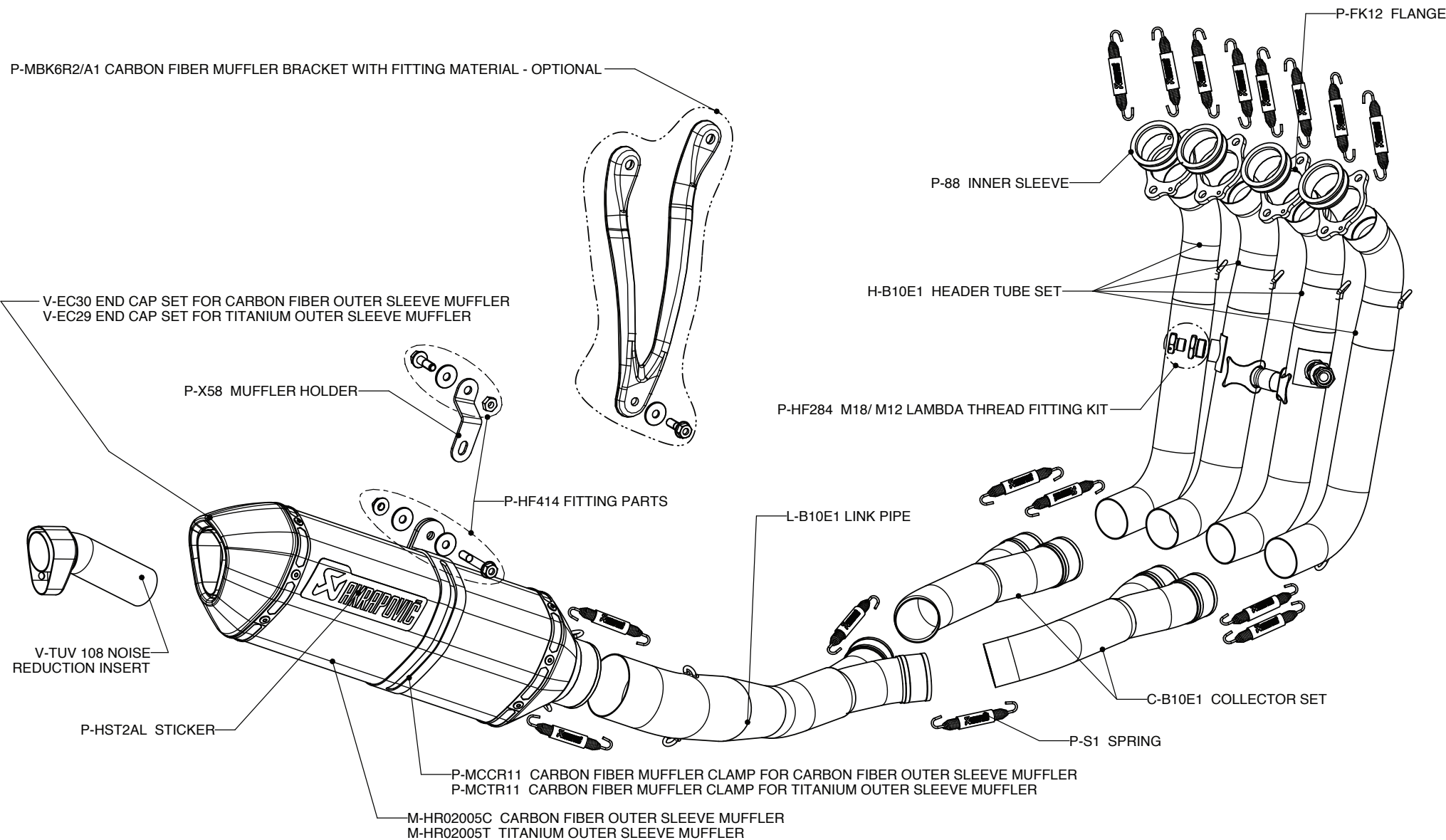
Product code: S-B10R1C-HRC, S-B10R1C-HRT racing
S-B10E1C-HRC, S-B10E1C-HRT evolution



www.akrapovic.com
Akrapovic d.d. 2010 all rights reserved
18.09.2010

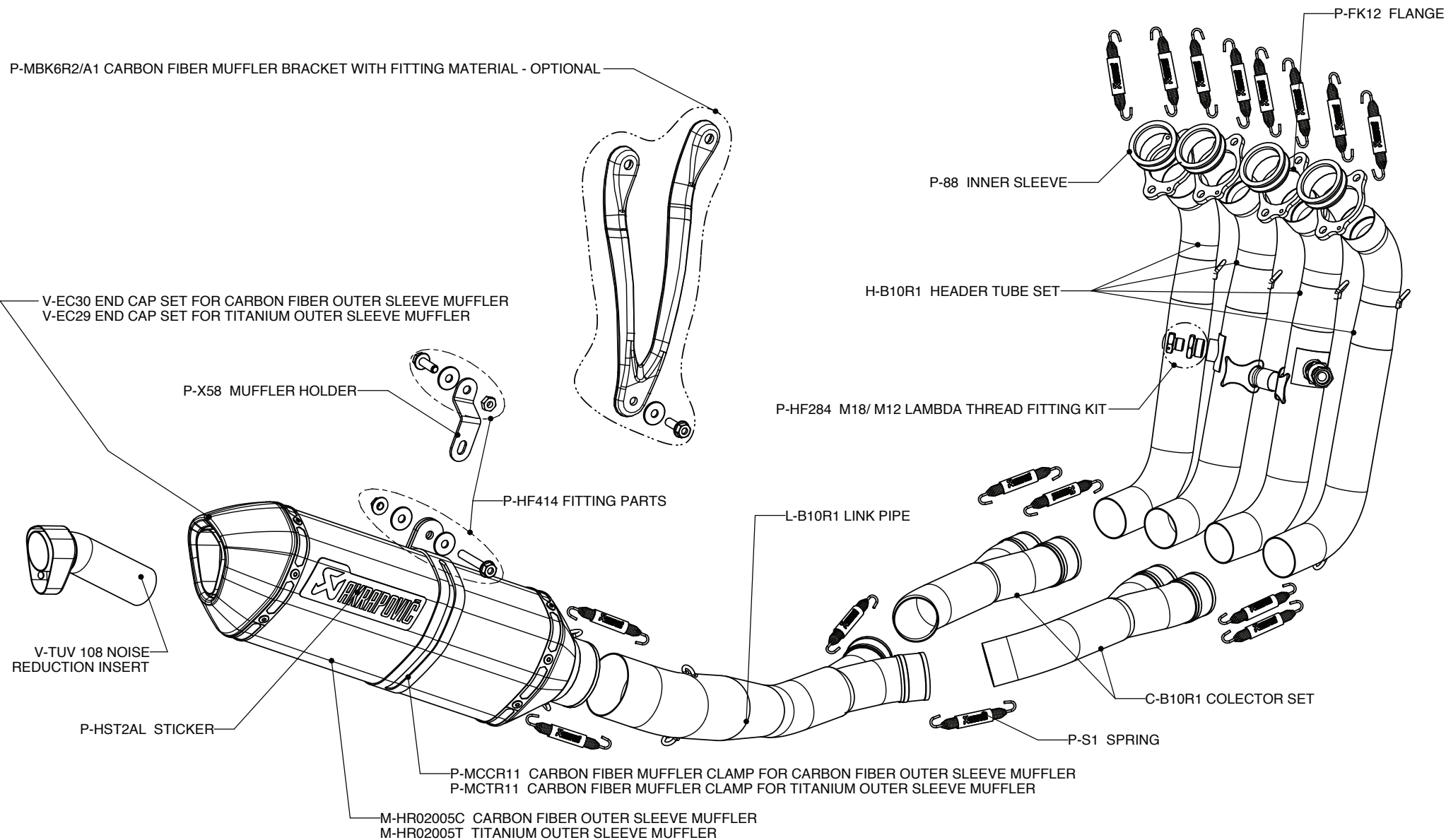






EVOLUTION LINE tube set and a street legal SLIP-ON muffler.

Warning! This combination is not homologated!



RACING LINE tube set and a street legal SLIP-ON muffler.

Warning! This combination is not homologated!

Product code: S-B10R1-RC/1, S-B10R1-RT/1 racing line open tube set with street legal muffler