



BMW S 1000 RR

SLIP-ON STREET LEGAL EXHAUST SYSTEM

Our sporty and lightweight conical SLIP-ON system offers a great balance between price and performance, and represents the first step in the exhaust system tuning process. The change will also be visual as our conical hexagonal muffler perfectly fits the exterior line of the BMW superbike and adds a clean racing image. The system is significantly lighter when compared to the stock muffler and features exceptional production quality, combined with a racing sound output, but still remaining legal for street use. The muffler outer sleeve is made of titanium, while the end cap is made of carbon fiber.

PERFORMANCE

Measurements of the Akrapovic SLIP-ON system on the BMW S1000RR (without muffler insert):

Power & Torque: the exhaust system modification with the SLIP-ON OPEN system results in a major boost in performance, delivering a massive 188.10 HP at 13175 rpm on the back wheel. But the increased power isn't available just at the top of the range; the system shows its quality from 5500 rpm already up through the entire rpm range. Max. increased power between the Akrapovic and the stock system is 1.16 HP at 13160 rpm. Besides this, the torque is substantially higher in a lower rpm area and from middle to high rpm area.



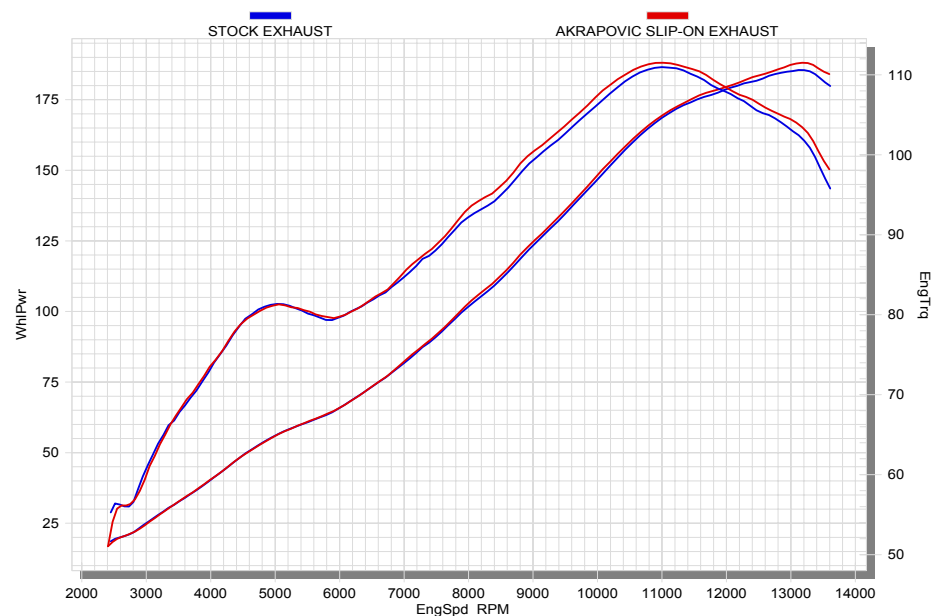
PERFORMANCE			
	stock	AKRAPOVIC	max. increased power
max. rear wheel power HP / rpm <small>(measured on SuperFlow Cycle Dyn)</small>	185.53 / 13119	188.10 / 13175	2.8 / 13260

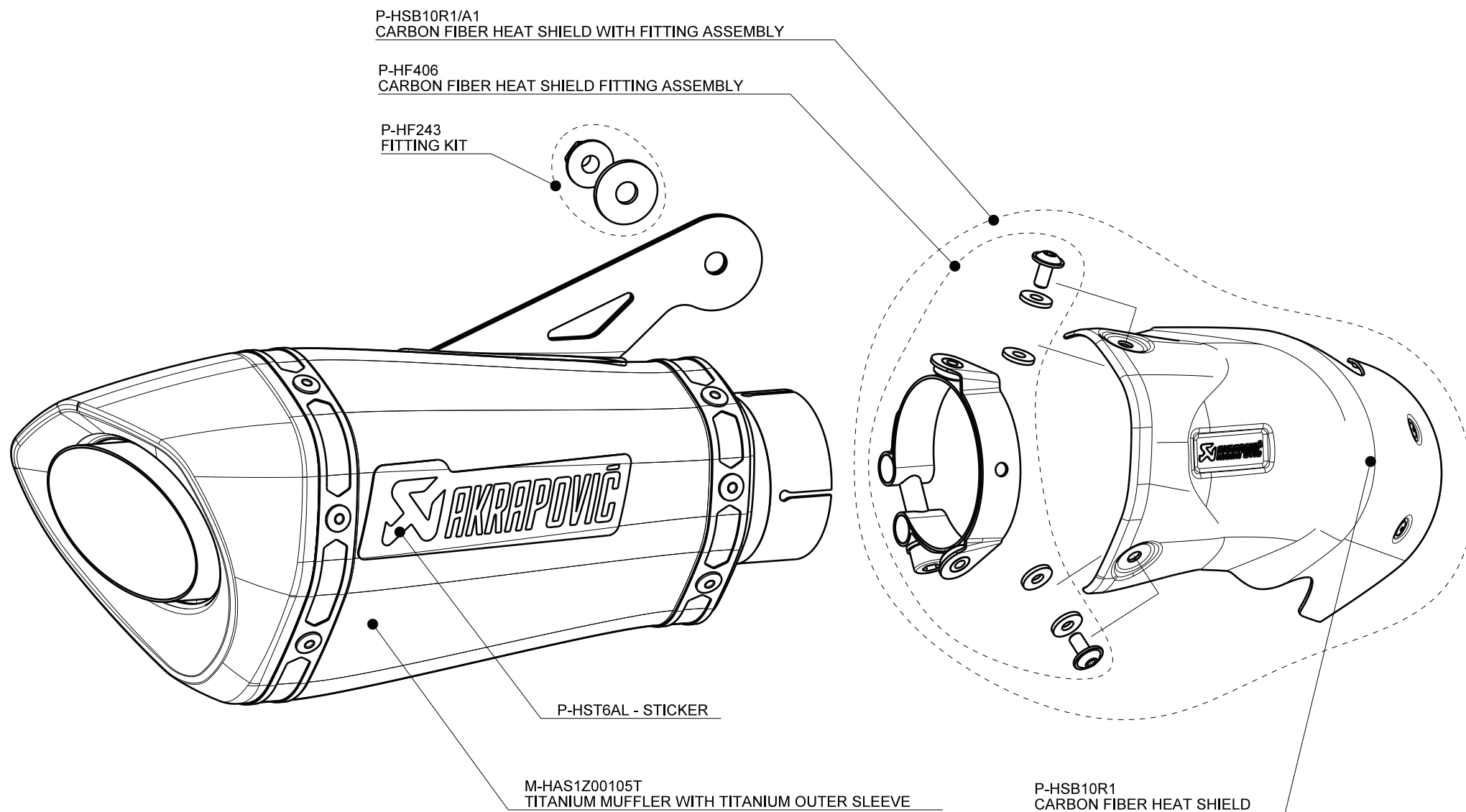
ADDITIONAL DATA					
weight comparison (kg)	stock	AKRAPOVIC		difference	
	2.41	SS link pipe	TITANIUM link pipe	stock - S.S.	stock - TITANIUM
		-	0.98	-	1.43

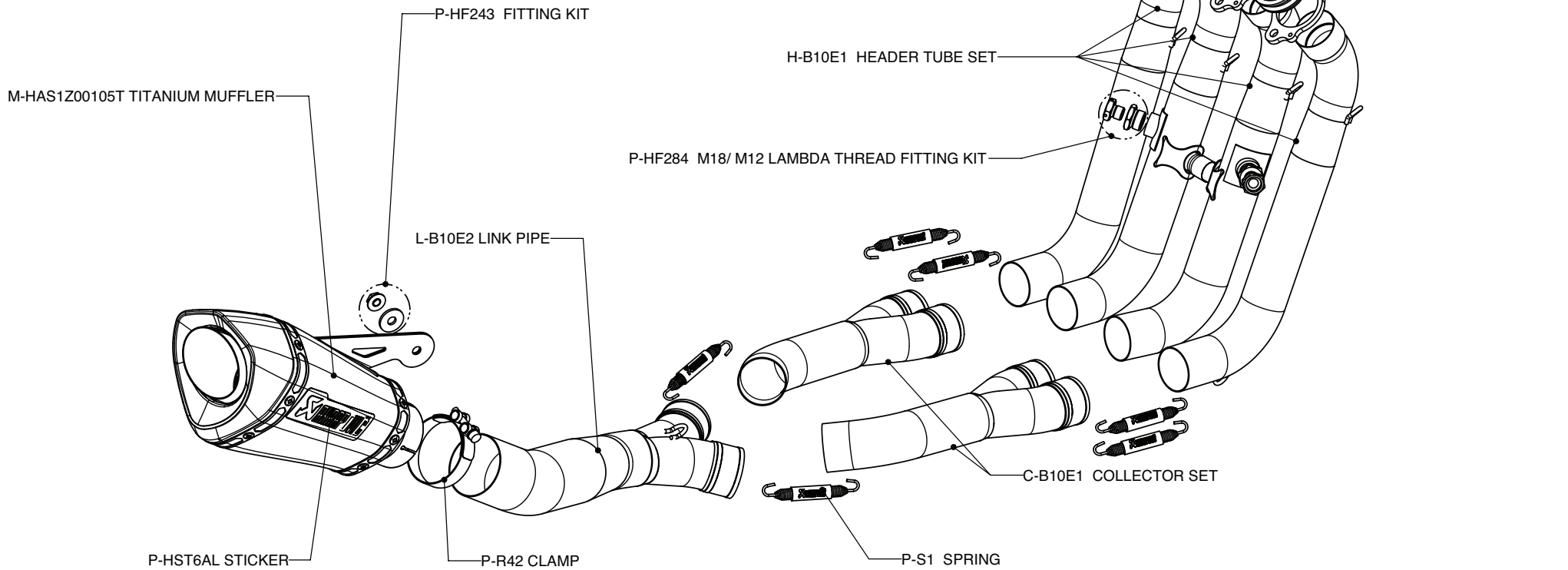
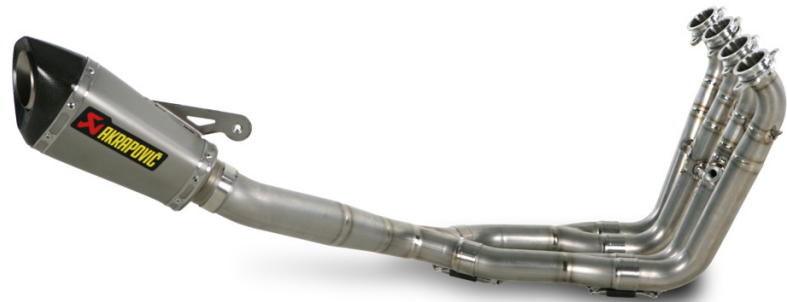
noise measurements (dB / rpm)	stock	AKRAPOVIC
		101.2 / 6000
legal for street use	YES	

Technical specifications of Akrapovic exhaust systems and related products subject to change without notice.

Product code: S-B10SO1-HASZ





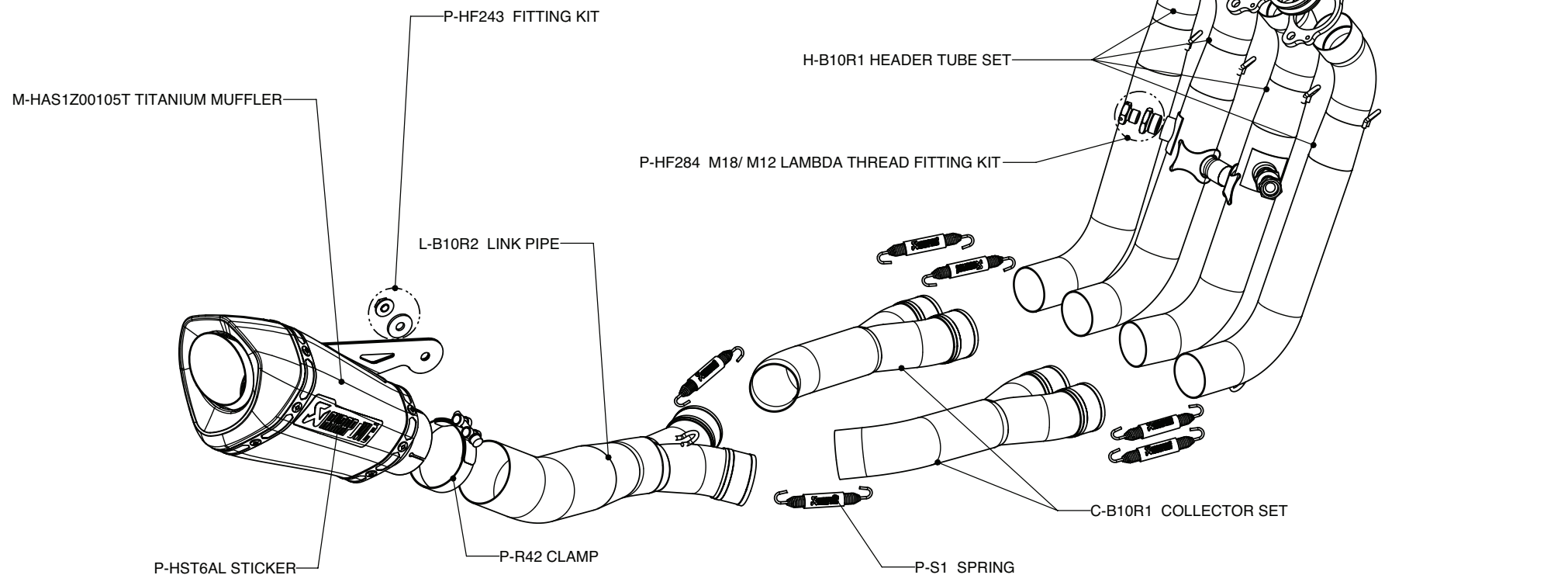
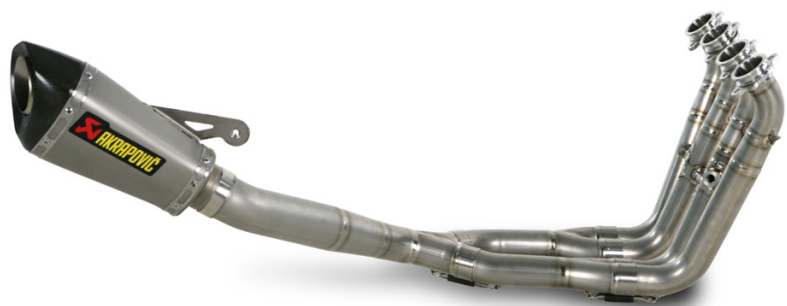


EVOLUTION LINE tube set and a street legal SLIP-ON muffler.

Warning! This combination is not homologated!

Product code: S-B10E1-ASZ evolution street legal slip-on muffler with evloution line tube set





RACING LINE tube set and a street legal SLIP-ON muffler.

Warning! This combination is not homologated!

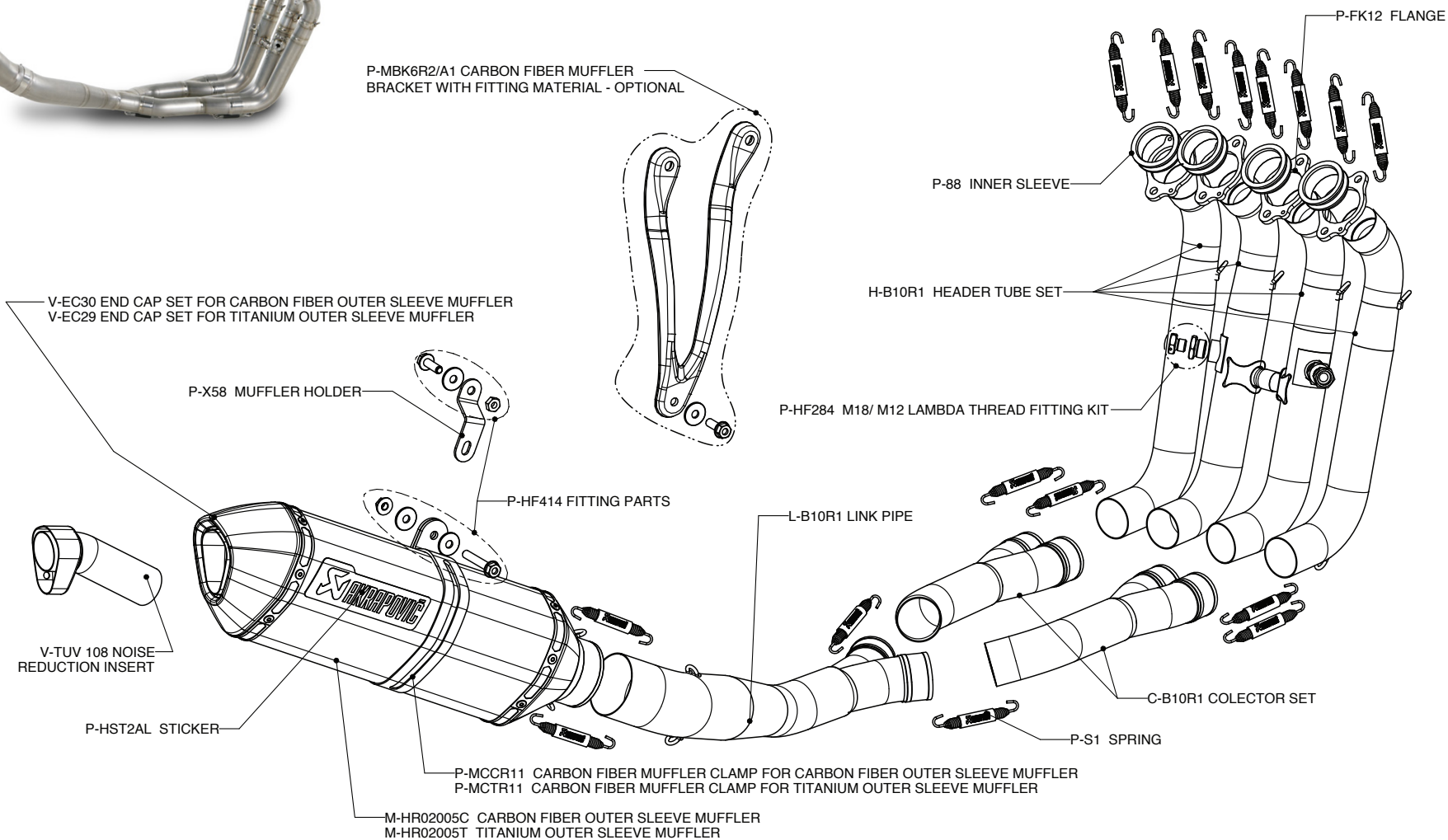
Product code: S-B10R1-ASZ racing street legal slip-on muffler with evolution line tube set



www.akrapovic.com

Akrapović d.d. 2010 all rights reserved

13.01.2011



RACING LINE tube set and a street legal SLIP-ON muffler.

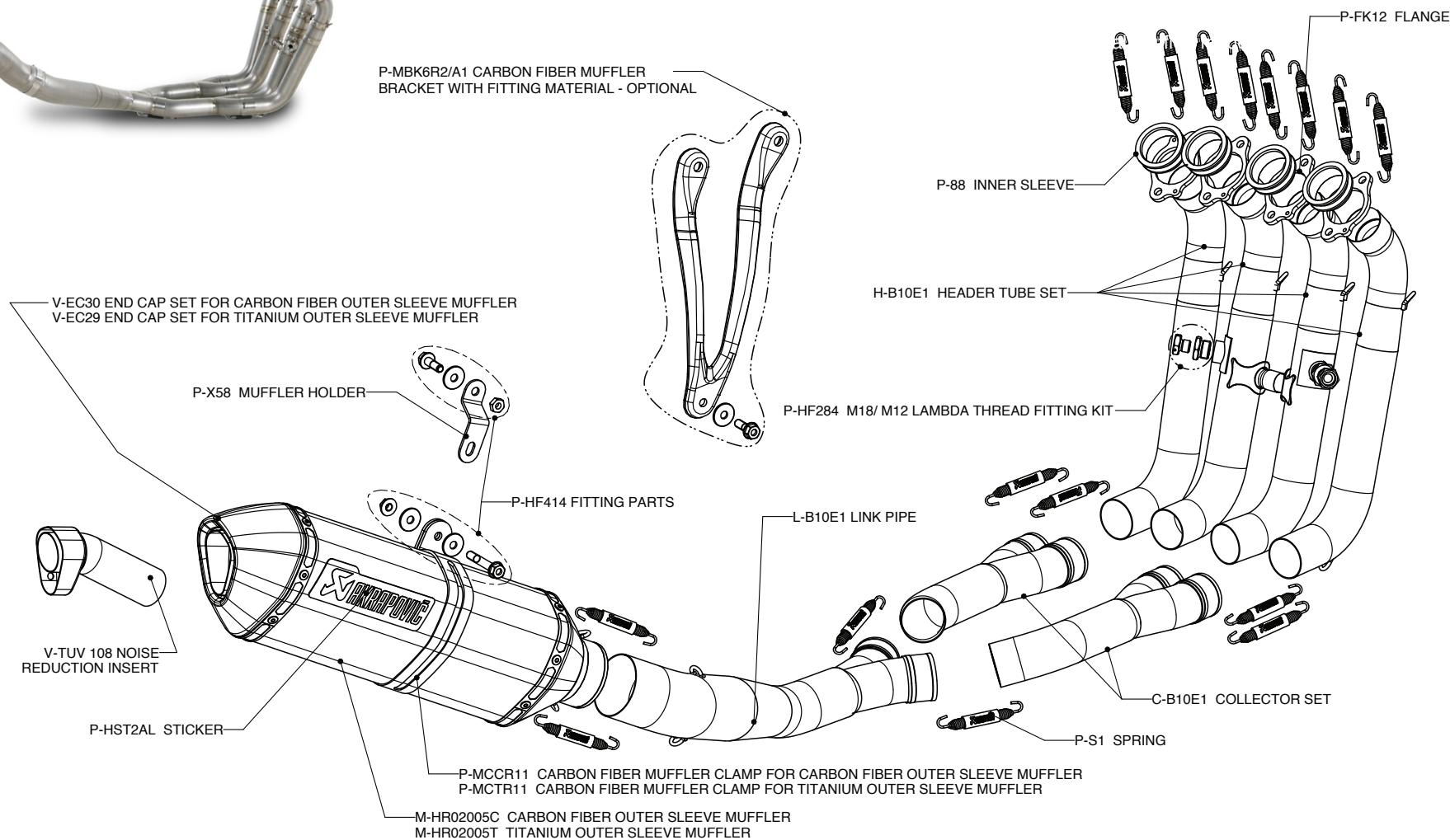
Warning! This combination is not homologated!

Product code: S-B10R1-RC/1, S-B10R1-RT/1 racing street legal slip-on muffler with evolution line tube set



www.akrapovic.com

Akrapović d.d. 2010 all rights reserved
13.01.2011



EVOLUTION LINE tube set and a street legal SLIP-ON muffler.

Warning! This combination is not homologated!

Product code: S-B10E1-RC/1, S-B10E1-RT/1 evolution street legal slip-on muffler with evolution line tube set



www.akrapovic.com

Akrapović d.d. 2010 all rights reserved
13.01.2011