



BMW R 1200 RT/ST (2006 - 2007)

Slip-On Street Legal Exhaust System

Akrapovic Slip-On Street Legal Exhaust System

for the BMW R 1200 RT/ST (2006 - 2007)

We have developed a street legal Slip-On exhaust system for the BMW R 1200 RT/ST which gives them the sporting touch. As a base-level exhaust system tuning component, the Slip-On system is an excellent combination of performance, production quality and affordability. The system conforms to all emission criteria and is approved for street use.

PERFORMANCE

Measurements of the Akrapovic SLIP-ON system on the BMW R 1200 RT/ST (without noise damper):

Power & Torque: the effects of the Akrapovic Slip-On system are most noticeable towards the top of the range from 5000 to 7200 rpm. This improves the throttle response of the boxer engine, making the overall ride quality smoother. The power and torque increases correspond to the level of modification. Max. power was measured at 106 HP at 7300 rpm, and max. increased power was 3.7 HP at 7600 rpm.

CONFIGURATION

The Akrapovic Slip-On system is composed of a conical titanium link pipe which is welded to the muffler. The link pipe is attached to the header tube with a sleeve joint secured with a metal clamp. The muffler is made entirely of titanium, as are the inlet cap and outlet cap with two outlet tubes. The Street Legal version muffler includes a built-in noise damper.

	PERFORMANCE		
	stock	AKRAPOVIC	max. increased power
max. rear wheel power HP / rpm (measured on Dynojet ATV)	102.7 / 7200	106 / 7300	3.7 / 7600

	CONFIGURATION		
	header tubes	collector	link pipe
material	-	-	TITANIUM
tube shape	-	-	CONICAL

interference crossover tubes	-	lambda sensor	-	
header tube inner sleeves	-	header tube flanges	-	
header tubes - collector connection	-	collector / header tube - link pipe connection	SLEEVE JOINT+ METAL CLAMP	
link pipe - muffler connection	WELDED	muffler inlet cap / outlet cap	TITANIUM / TITANIUM	
muffler metal interior	TITANIUM	muffler outer sleeve	TITANIUM	
muffler clamp	-	muffler bracket	TITANIUM (WELDED ON OUTER SLEEVE)	
muffler insert	EU	NOISE DAMPER	heat shield	-
	US	-	catalytic converter	-

	ADDITIONAL DATA				
	stock	AKRAPOVIC		difference	
		S.S. link pipe	TITANIUM link pipe	stock - S.S.	stock - titanium
weight comparison (kg)	5.38	-	2.4	-	2.98
noise measurements (dB / rpm)	stock		AKRAPOVIC		
	89 / 4125		89 / 4125		
possibility of periodic service without removing A.E.S.	oil		oil filter		
	YES		YES		
legal for street use	YES				

Technical specifications of Akrapovic exhaust systems and related products subject to change without notice.

Product code: 107627 (S-B12SO5-HLT/1)

Akrapovic Slip-On Street Legal Exhaust System for the BMW R 1200 RT/ST (2006 - 2007)



Akrapovic Exhaust System Technology copyright 2007, all rights reserved

Road
Program

Product code: 107627 (S-B12SO5-HLT/1)

Akrapovic Slip-On Street Legal Exhaust System for the BMW R 1200 RT/ST (2006 - 2007)



Akrapovic Exhaust System Technology copyright 2007, all rights reserved

Road Program

Product code: 107627 (S-B12SO5-HLT/1)

Akrapovic Slip-On Street Legal Exhaust System for the BMW R 1200 RT/ST (2006 - 2007)

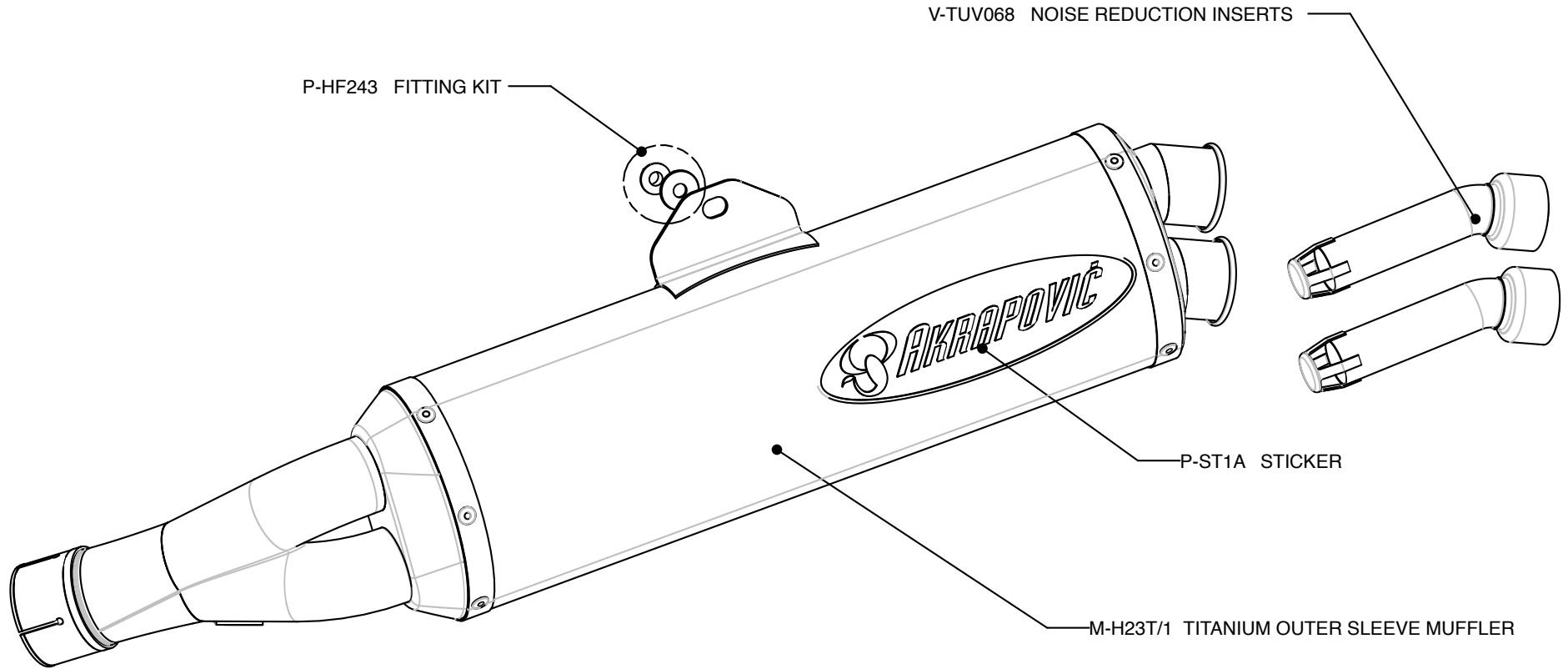


Akrapovic Exhaust System Technology copyright 2007, all rights reserved

Road Program

Product code: 107627 (S-B12SO5-HLT/1)

Akrapovic Slip-On Street Legal Exhaust System for the BMW R 1200 RT/ST (2006 - 2007)

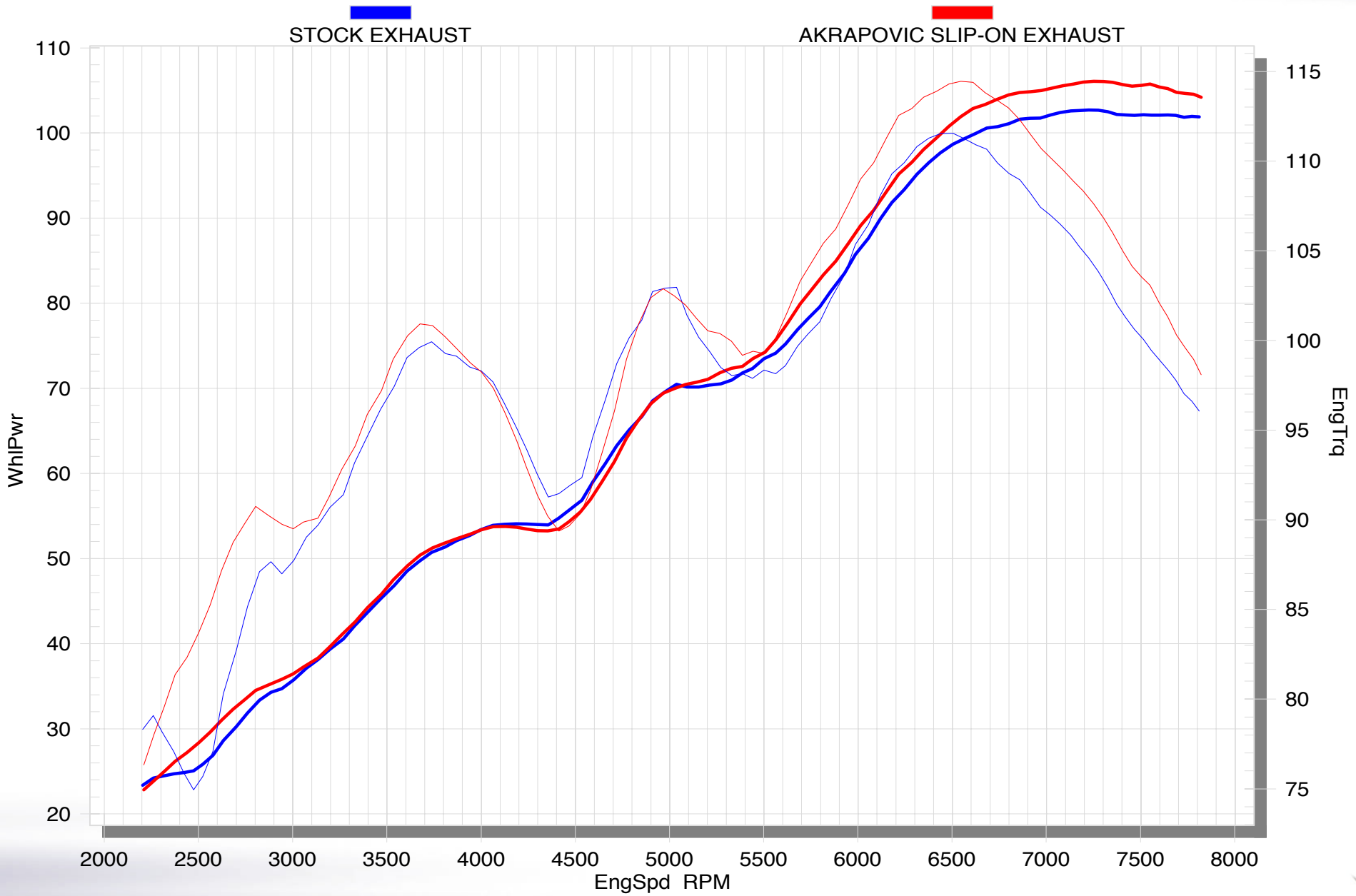


Akrapovic Exhaust System Technology copyright 2007, all rights reserved

Road Program

Product code: 107627 (S-B12SO5-HLT/1)

Akrapovic Slip-On Street Legal Exhaust System for the BMW R 1200 RT/ST (2006 - 2007)



Road Program

Product code: 107627 (S-B12SO5-HLT/1)



Akrapovic Exhaust System Technology copyright 2007, all rights reserved