



BMW R 1200 GS (2010)
SLIP-ON STREET LEGAL EXHAUST SYSTEM

Our sporty and lightweight SLIP-ON system offers a great balance between price and performance and represents the first step in the exhaust system tuning process. The change will be also visual as our titanium muffler perfectly fit the exterior line of the legendary BMW adventure tourer.

The muffler outer sleeve is made of our exclusive high temperature and stress resistant titanium, which gives a special hi-tech touch to our SLIP-ON street legal system.

PERFORMANCE

Measurements of the Akrapovic SLIP-ON STREET LEGAL system on the BMW R1200GS (without muffler insert):

Power & Torque: the exhaust system modification with the SLIP-ON street legal system results in a major boost in performance, delivering a massive 110.2 HP at 7700 rpm on back wheel. But the increased power isn't available just at the top of the range; the system shows its quality already from 2000 rpm up through entire rpm range. Max. increased power between the Akrapovic and the stock system is 2.4 HP at 6300 rpm. Besides this, the torque is substantially higher in a lower rpm area at 2000 rpm and from middle to high rpm area.



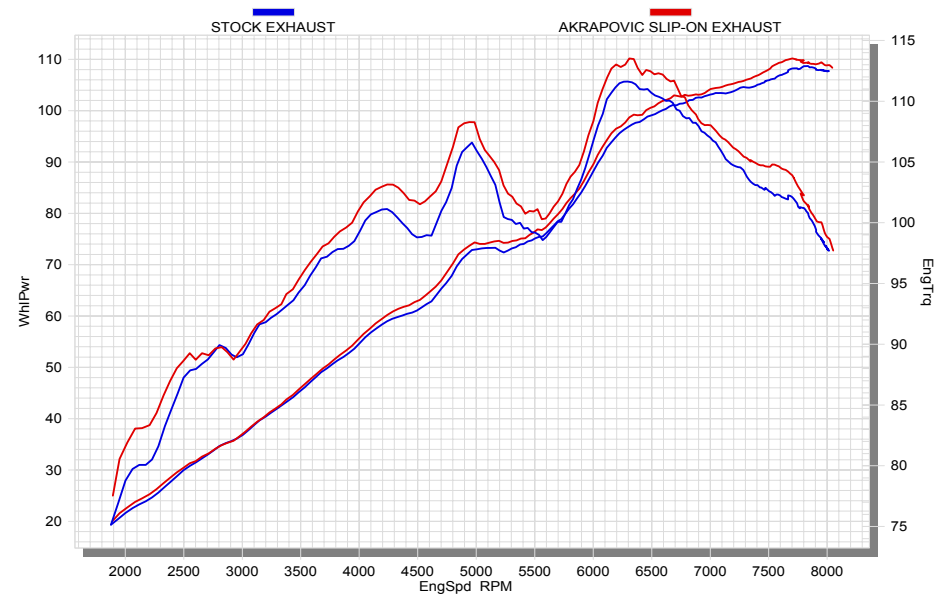
PERFORMANCE			
	stock	AKRAPOVIC	max. increased power
max. rear wheel power HP / rpm <small>(measured on SuperFlow Cycle Dyn)</small>	108.7/7800	110.2/7700	2.4/7600

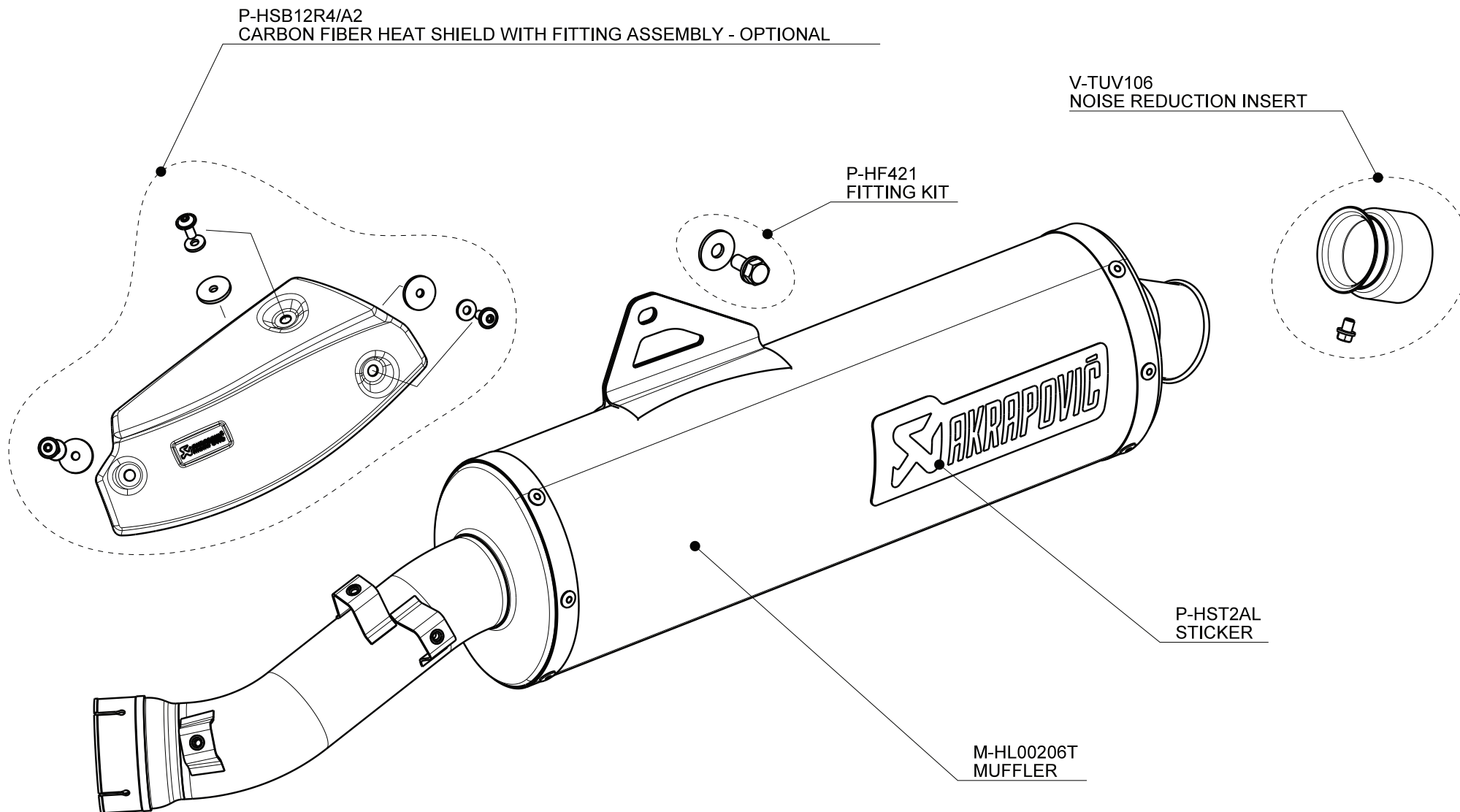
ADDITIONAL DATA					
weight comparison (kg)	stock	AKRAPOVIC		difference	
	5.0	SS link pipe	TITANIUM link pipe	stock - S.S.	stock - TITANIUM
		-	2.63	-	2.37

noise measurements (dB / rpm)	stock	AKRAPOVIC
		92 / 3875
legal for street use	YES	

Technical specifications of Akrapovic exhaust systems and related products subject to change without notice.

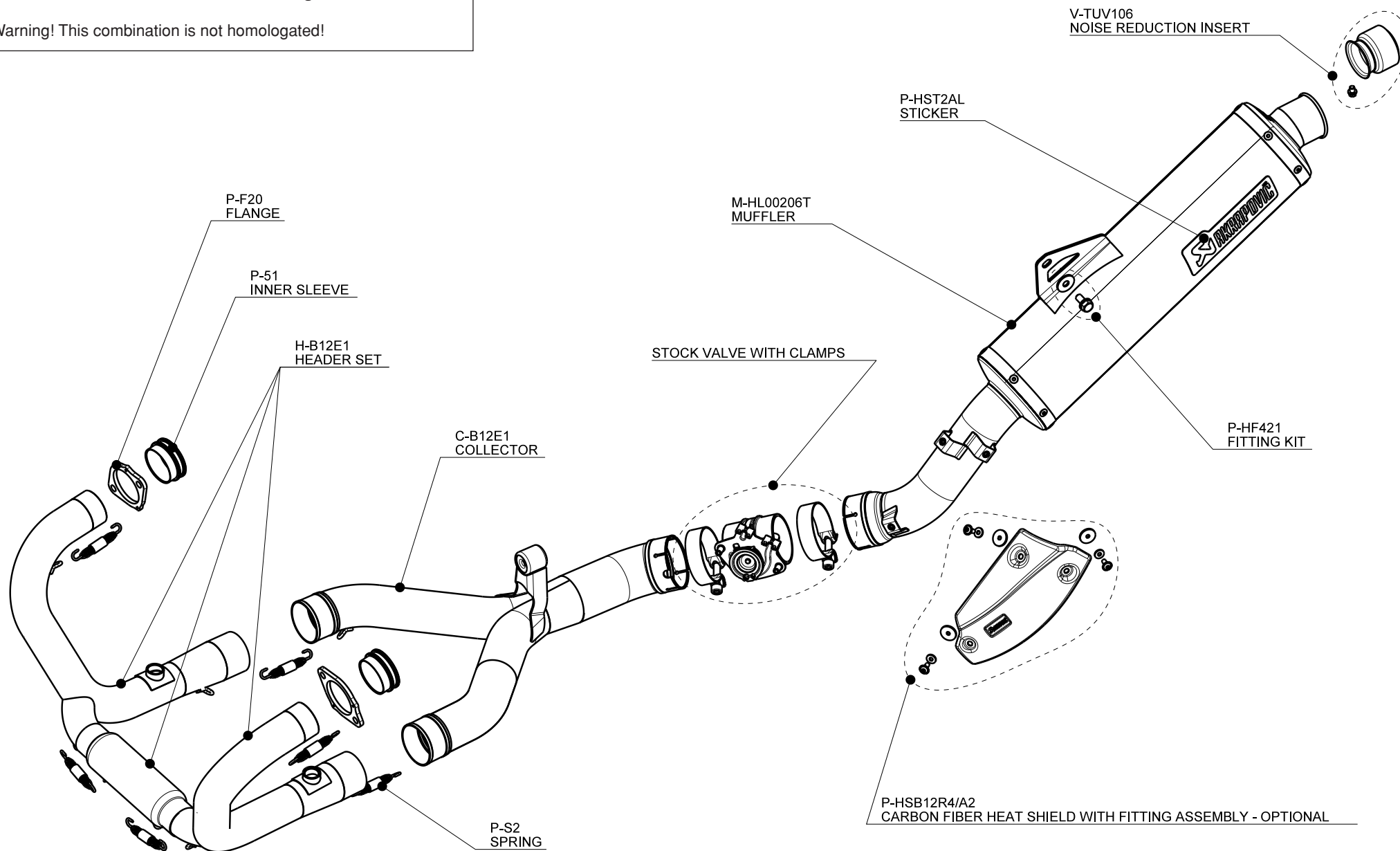
Product code: S-B12SO7-HLT street legal





EVOLUTION LINE tube set and a street legal SLIP-ON muffler.

Warning! This combination is not homologated!



RACING LINE tube set and a street legal SLIP-ON muffler.

Warning! This combination is not homologated!

