



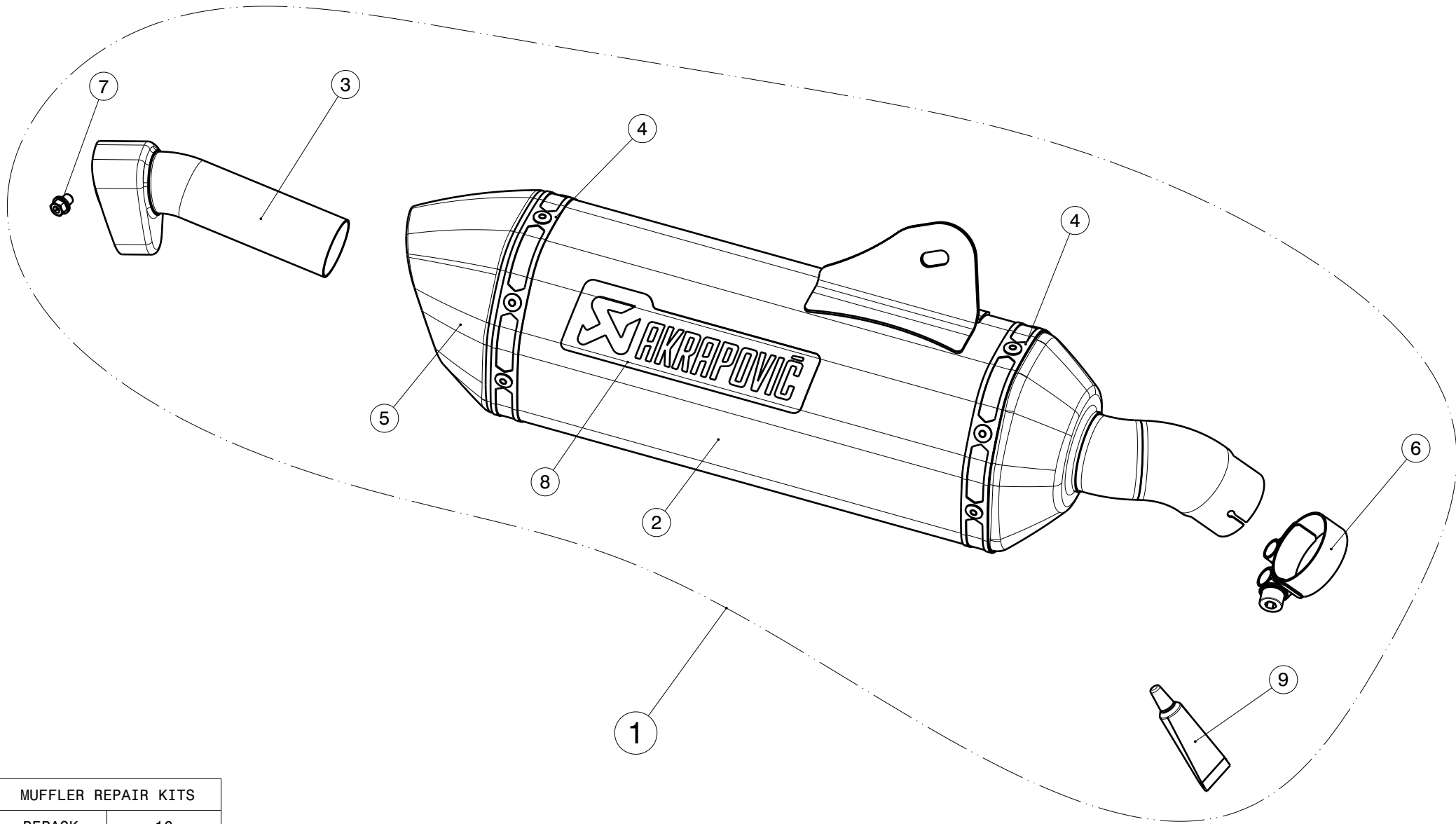
Slip-On Line (SS)

Product code: **S-B6SO1-HZSS**

The Slip-On is the first stage in transforming your exhaust system. In addition to increasing your power, the Akrapovič Slip-On system gives your scooter a distinctive deeper sound and also changes its visual appearance. Even from afar you can see and hear that this is no mass-produced system. This system was developed based on rich experience and the result is a product that suits a scooter perfectly. Installation is a snap. Adding the optional catalytic converter makes the Slip-On exhaust system EC Type approved.

The Akrapovič exhaust system increases your engine power and its torque at practically every rpm.

TECHNICAL DATA	UNIT	STOCK	AKRAPOVIČ	DIFFERENCE
maximum power	kW	37.2 at 7570 rpm	38.2 at 7850 rpm	+ 1.2 at 8050 rpm
	HP (m)	50.6 at 7570 rpm	51.9 at 7850 rpm	+ 1.6 at 8050 rpm
	HP (i)	49.9 at 7570 rpm	51.2 at 7850 rpm	+ 1.6 at 8050 rpm
maximum torque	Nm	57.2 at 6150 rpm	57.4 at 6040 rpm	+ 1.3 at 6470 rpm
	lb-ft	42.2 at 7570 rpm	28.2 at 7850 rpm	+ 0.9 at 8050 rpm
weight	kg	3.7	2.4	- 1.3
	lb	8.2	8.2	- 2.9
static noise level	dB	90	90	0



MUFFLER REPAIR KITS	
REPACK	10
SLEEVE	11

No.	SALES CODE	DESCRIPTION	QTY.
1	S-B6SO1-HZSS	S BMW C650GT SO 2012 MSS H	1
2	M-HZ04902SS	M HSO S40Z1 S300/50 C70×50Z2/35 650GT 12	1
3	V-TUV002	vložek ses. HOM SS D35/90/65×46/22° D	1
4	P-TT49	trak zak. TI L=386 S=16 Z TI 0,8 TT49	2
5	V-EC128	SRO zad CA Z2 TI za BMW S1000RR SO 10-11	1
6	P-R65	objemka SS D42,5×16,5 M8×35	1
7	P-FB56	vijak šest. prirob SS M6×6 S=8 imb S=4	1
8	P-HST2AL	nalepka Akrap. HOR 150 AL	1
9	P-HF113	montažni set BAKRENA pasta	1
10	P-RPCK38	MMRCK tip 38	1
11	P-RKS321ZSS30/1	MRRSK tip 321ZSS30/1	1

	rpm	3750	3750	0
--	------------	-------------	-------------	----------

measured with: BMW C 650 GT 2012

BMW C650GT

