



APRILIA RSV4 (2009 - 2010)

SLIP-ON STREET LEGAL EXHAUST SYSTEM

Our sporty and lightweight SLIP-ON systems offer a great balance between price and performance and represent the first step in the exhaust system tuning process. The change will also be visual as our HEXAGONAL muffler perfectly fit the exterior line of the RSV4 and add a clean racing image.

The muffler outer sleeve is made of titanium or carbon-fiber, which gives a special hi-tech touch to our SLIP-ON system. We offer the street legal version with high flow catalytic converter and open system for race track use only.

PERFORMANCE

Measurements of the Akrapovic SLIP-ON STREET LEGAL/OPEN system on the APRILIA RSV4 (without muffler insert):

Power & Torque: the exhaust system modification with the SLIP-ON system results in a major boost in performance, delivering a massive 167.9 HP at 12450 rpm on the back wheel. But the increased power isn't available just at the top of the range; the system shows its quality from 4000 rpm already up through the entire rpm range. Max. increased power between the Akrapovic and the stock system is 5.2 HP at 7000 rpm. Besides this, the torque is substantially higher in a lower rpm area at 4500 rpm and from middle to high rpm area.

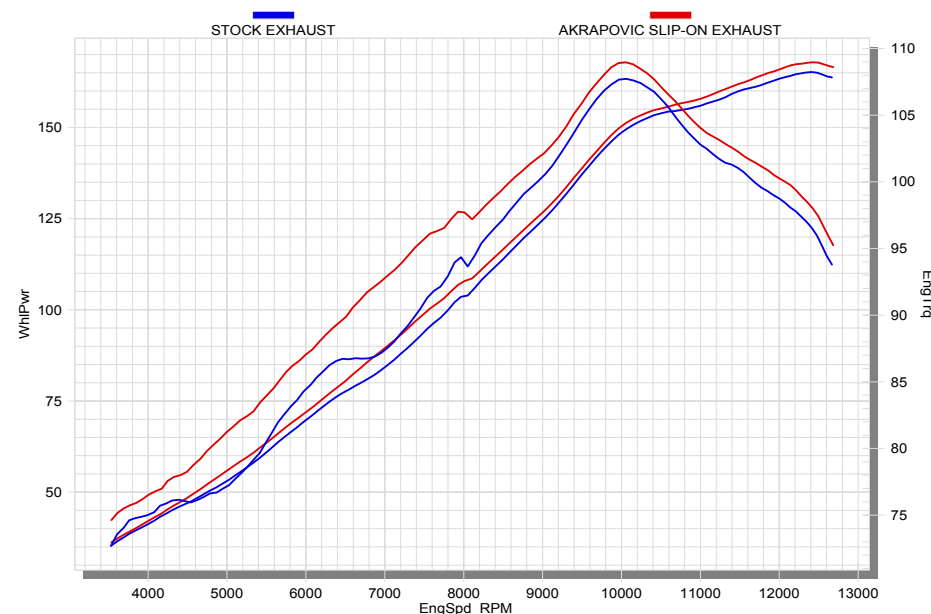


PERFORMANCE			
	stock	AKRAPOVIC	max. increased power
max. rear wheel power HP / rpm (measured on Dynojet ATV)	165 / 12400	167.9 / 12450	5.2 / 7000

ADDITIONAL DATA					
weight comparison (kg)	stock	AKRAPOVIC		difference	
	5.55	SO street legal	SO open	stock – SO street legal	stock – SO open
		2.58	2	2.97	3.55

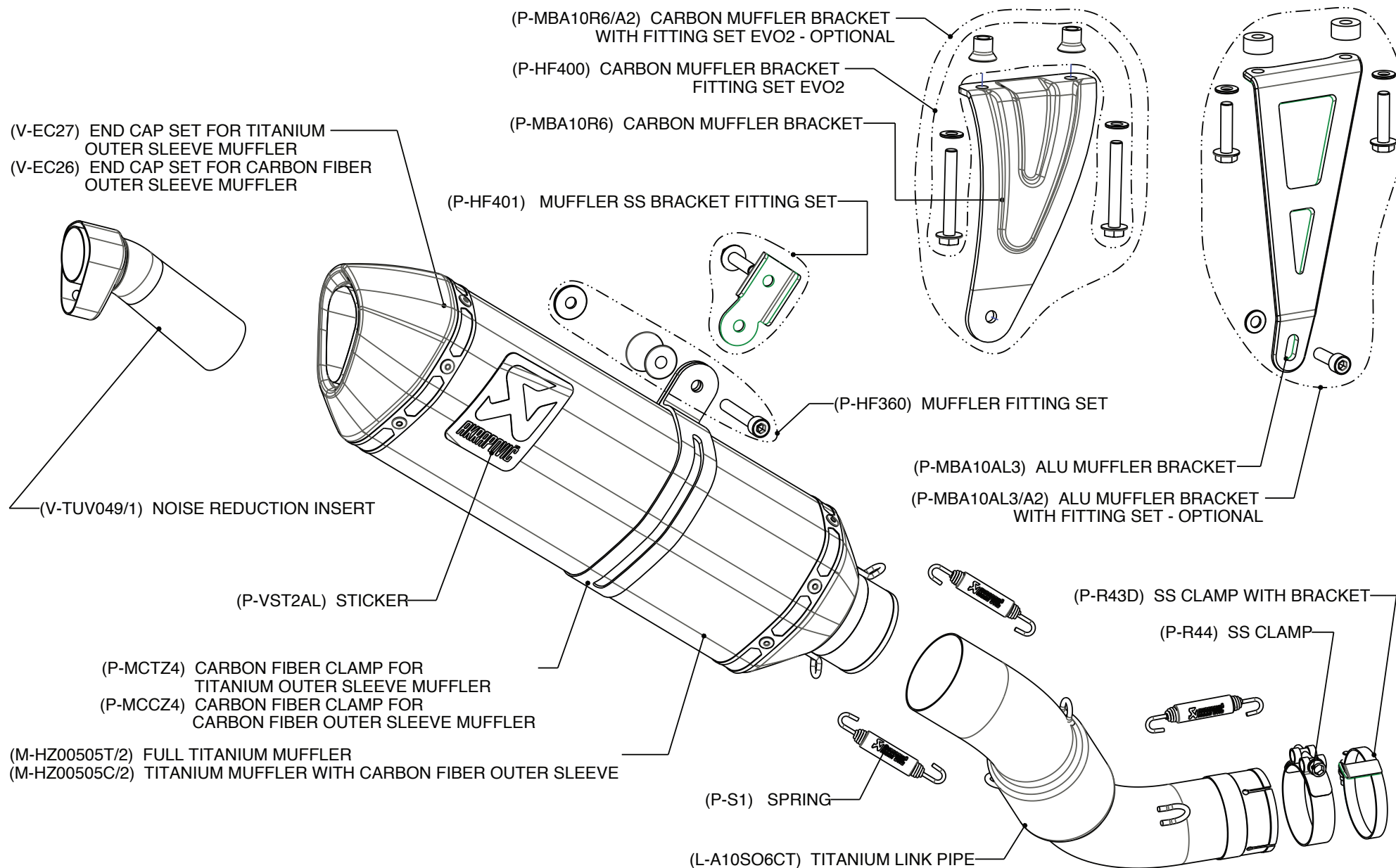
noise measurements (dB / rpm)	stock	AKRAPOVIC
		102 / 6200
legal for street use	NO / YES (Street legal exhaust)	

Technical specifications of Akrapovic exhaust systems and related products subject to change without notice.



Product code: (110725) S-A10SO6C-HZC ; (110724)S-A10SO6C-HZT street legal





RACING LINE tube set and a street legal SLIP-ON muffler.

Warning! This combination is not homologated!

(P-MBA10R6/A2) MUFFLER BRACKET WITH FITTING SET EVO2

(P-HF400) MUFFLER BRACKET FITTING SET EVO2

(P-MBA10R6) CARBON MUFFLER BRACKET

(P-MBA10AL3) ALU MUFFLER BRACKET

(P-MBA10AL3/A2) ALU MUFFLER BRACKET WITH FITTING SET - OPTIONAL

(P-HF360) MUFFLER FITTING SET

(V-EC27) END CAP SET FOR TITANIUM OUTER SLEEVE MUFFLER

(V-EC26) END CAP SET FOR CARBON FIBER OUTER SLEEVE MUFFLER

(P-VST2AL) STICKER

(V-TUV049/1) NOISE REDUCTION INSERT

(M-HZ00505T/2) FULL TITANIUM MUFFLER

(M-HZ00505C/2) TITANIUM MUFFLER WITH CARBON FIBER OUTER SLEEVE

(P-MCTZ4) CARBON FIBER CLAMP FOR TITANIUM OUTER SLEEVE MUFFLER

(P-MCCZ4) CARBON FIBER CLAMP FOR CARBON FIBER OUTER SLEEVE MUFFLER

(P-85) OUTER SLEEVE

(P-FY4) FLANGE

(P-S1) SPRING

(H-A10R1) HEADER TUBE SET

(C-A10R1L) COLLECTOR

(L-A10R2) LINK PIPE

COPPER PASTE

CERAMIC PASTE

EVOLUTION LINE tube set and a street legal SLIP-ON muffler.

Warning! This combination is not homologated!

