



**APRILIA TUONO 1000**

**(2007 - 2010)**

**SLIP-ON STREET LEGAL EXHAUST SYSTEM**

[www.akrapovic.com](http://www.akrapovic.com)

Akrapovic SLIP-ON is a partial system and represents a first-level exhaust system tuning component. It provides a major performance improvement for the already powerful Aprilia roadster. The system is designed for riders who are looking for a combination of performance, quality, simple installation and affordability. Racing-oriented riders should check out our Racing and Evolution complete systems. Please note that SLIP-ON is available in open and homologated version

**PERFORMANCE**

Measurements of the Akrapovic SLIP-ON system on the APRILIA TUONO 1000 (with noise damper):

Power & Torque: The power curve with Akrapovic exhaust system is much more linear, from bottom to top of the power curve. Max. power of 125.5 HP is reached at 9740 rpm. The torque curve reflects the same compatibility with the operation of the engine. The enormous increase can be seen throughout the entire rpm range, so you get bags of torque to go along with the loads of power. Biggest power gain of 6 HP is at 5280 rpm.

**CONFIGURATION**

The Akrapovic SLIP-ON system is composed of a cylindrical stainless steel link pipes and HEXAGONAL mufflers. The link pipe is attached to the stock header assembly with sleeve joint, secured with silicon shielded springs. The sleeve joint between Link pipe and Muffler is secured with silicon shielded spring too. The muffler is attached to the frame with an Akrapovic carbon-fiber clamp. The inlet caps and inner perforation of the muffler are made entirely of titanium, and the outer sleeve is available in either titanium or carbon-fiber. Outlet cap is available only in carbon fiber.

	PERFORMANCE		
	stock	AKRAPOVIC	max. increased power
max. rear wheel power HP / rpm (measured on Dynojet ATV)	121.9 / 9580	125.5 / 9740	6 / 5280

	CONFIGURATION		
	header tubes	collector	link pipe
material	-	-	STAINLESS STEEL
tube shape	-	-	CYLINDRICAL

interference crossover tubes	-	lambda sensor	NO	
header tube inner sleeves	-	header tube flanges	-	
header tubes - collector connection	-	collector / header tube - link pipe connection	SLEEVE JOINT + SILICON SHIELDED SPRINGS	
link pipe - muffler connection	SLEEVE JOINT + SILICON SHIELDED SPRINGS	muffler inlet cap /outlet cap	Ti - Carb.-fiber	
muffler metal interior	TITANIUM	muffler outer sleeve	Ti - Carb.-fiber	
muffler clamp	CARBON-FIBER	muffler bracket	-	
muffler insert	EU	NOISE DAMPER	heat shield	CARBON FIBER (option)
	US	-	catalytic converter	YES (Sx)

	ADDITIONAL DATA				
	stock	AKRAPOVIC		difference	
weight comparison (kg)	9.33	S.S. link pipe	TITANIUM link pipe	stock - S.S.	stock - titanium
		5.35	-	3.98	-
noise measurements (dB / rpm)	stock		AKRAPOVIC		
	94 / 4750		94 / 4750		
possibility of periodic service without removing A.E.S.	oil		oil filter		
	YES		YES		
legal for street use	YES				

Technical specifications of Akrapovic exhaust systems and related products subject to change without notice.



Product code: 108103 (S-A10SO5C-HRC)  
108102 (S-A10SO5C-HRT)



[www.akrapovic.com](http://www.akrapovic.com)

Akrapović d.d. 2009 all rights reserved  
13.07.2010



Product code: 108103 (S-A10SO5C-HRC)  
108102 (S-A10SO5C-HRT)

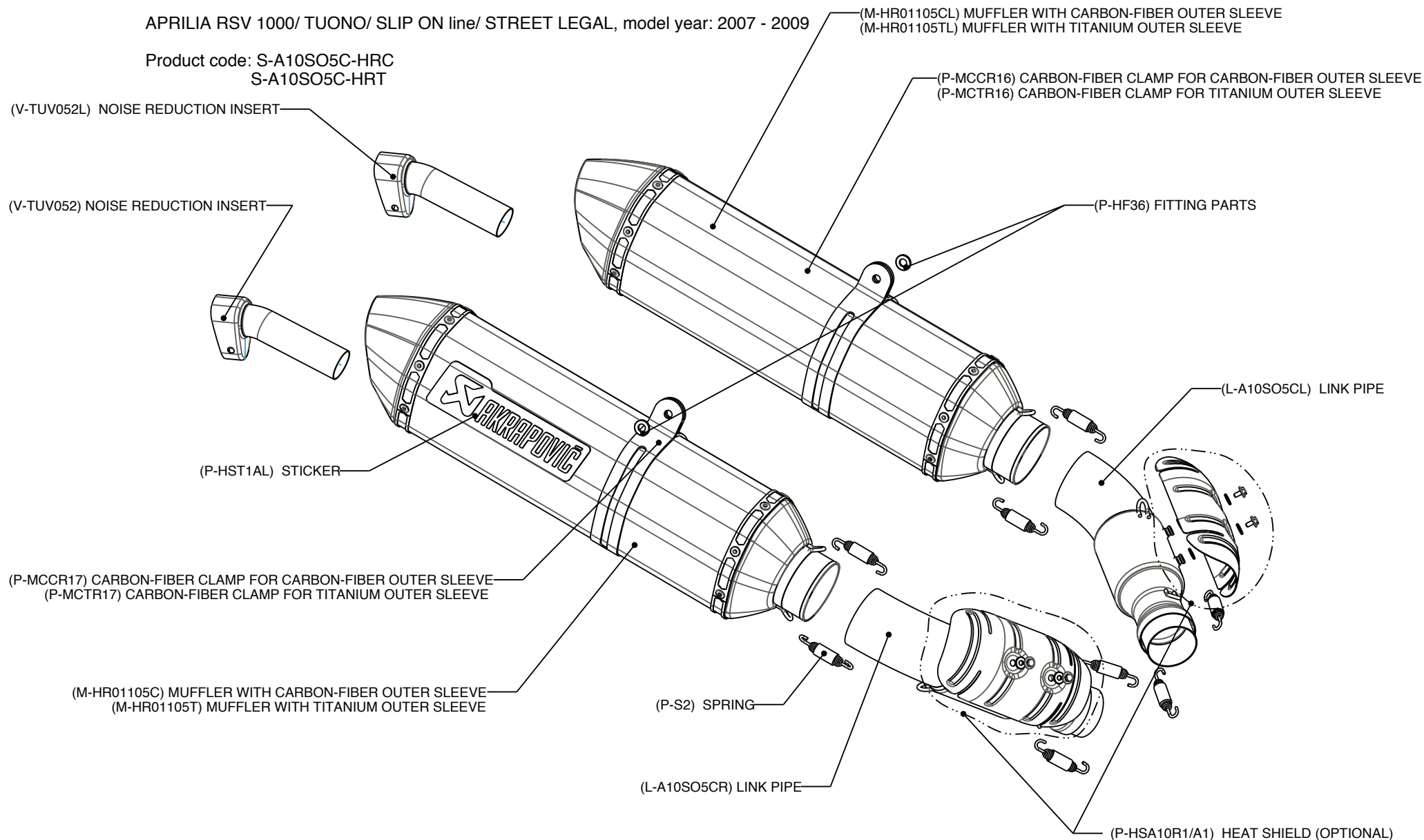




Product code: 108103 (S-A10SO5C-HRC)  
108102 (S-A10SO5C-HRT)

APRILIA RSV 1000/ TUONO/ SLIP ON line/ STREET LEGAL, model year: 2007 - 2009

Product code: S-A10SO5C-HRC  
S-A10SO5C-HRT

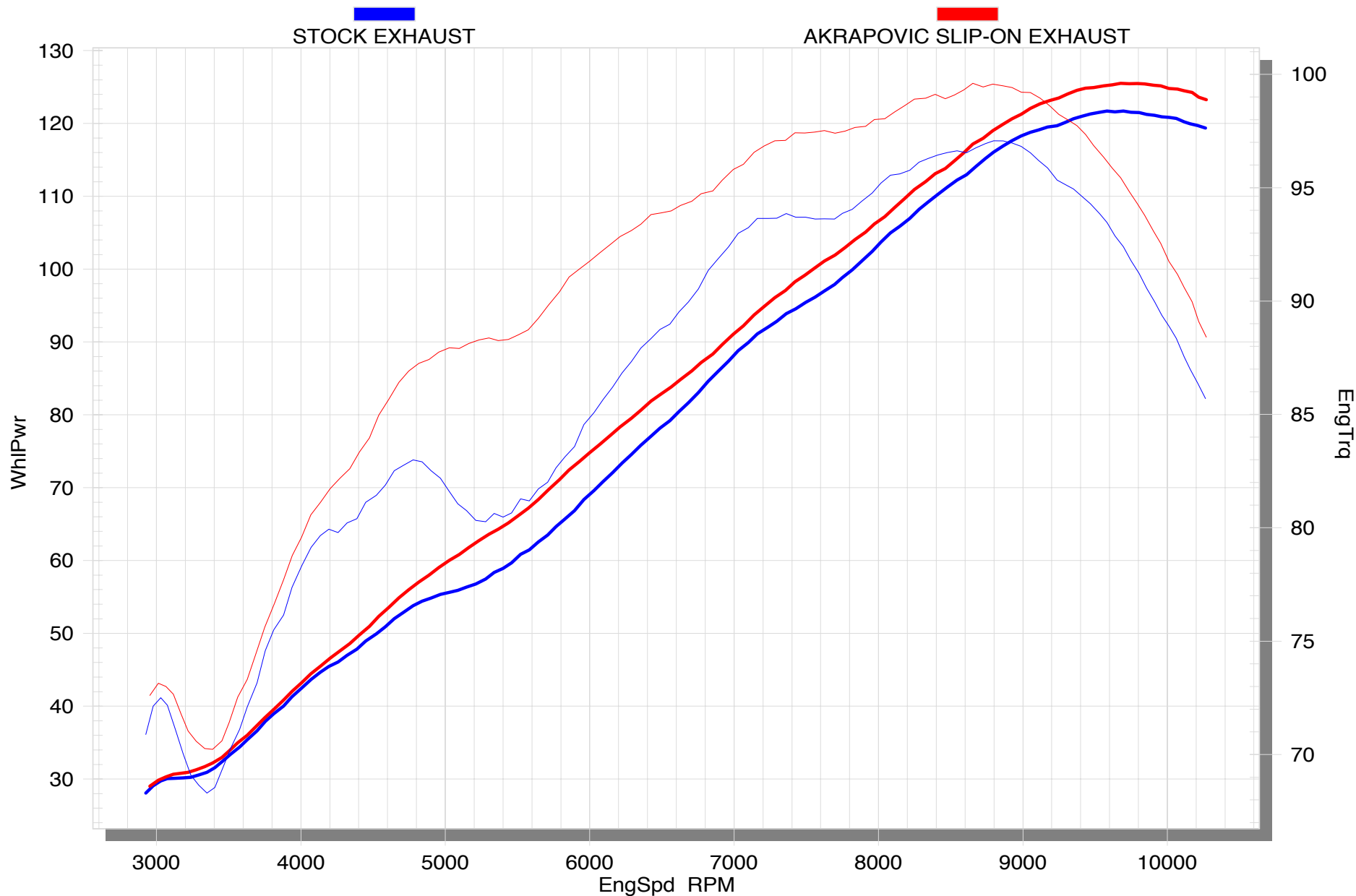


Product code: 108103 (S-A10SO5C-HRC)  
108102 (S-A10SO5C-HRT)



www.akrapovic.com

Akrapović d.d. 2009 all rights reserved  
13.07.2010



Product code: 108103 (S-A10SO5C-HRC)  
 108102 (S-A10SO5C-HRT)



www.akrapovic.com

Akrapović d.d. 2009 all rights reserved  
 13.07.2010