



AKRAPOVIC RACING & EVOLUTION EXHAUST SYSTEM for the **YAMAHA YZF R6**

Congratulations on purchasing an Akrapovic exhaust system. Please read these installation instructions carefully. If you have any trouble installing the system please contact your authorized dealer!

IMPORTANT INFORMATION

Exclusion of Certain Liability

1. The manufacturer, importer or dealer shall not be liable for any incidental damage including personal injury or any other damages caused by improper installation or operation of the Akrapovic exhaust system. When installing the Akrapovic exhaust system be careful that the exhaust system does not touch other parts sensitive to high temperature.
2. Akrapovic makes no representation or warranties with regard to damage caused by the improper installation, use and maintenance of the Akrapovic exhaust system. The warranty is limited to defects recognized by our technical department and to normal use, and excludes items subject to normal wear (gaskets and damping wool). The guarantee is void in case of accident, modification, improper or competition use.
3. Do not attempt to install the Akrapovic exhaust system on a motorcycle for which it was not made or tested by Akrapovic.
4. When the exhaust system gets very hot during operation, be careful not to burn yourself on the exhaust system or parts which are in direct contact with it, even when the motor is not running. Also protect other people, especially children, from the injuries mentioned above.
5. In some cases Akrapovic exhaust system kits contain chemical products (ceramic anti-seizing grease; bolt sealant). Handle with care, do not inhale or swallow. Avoid excessive contact with skin, eyes or mucous membranes. Keep out of reach of children.
6. Technical specifications of Akrapovic exhaust systems and related products subject to change without notice.

Trademarks

The Akrapovic Exhaust System Technology logo is a registered trademark of Akrapovic d.d.

Akrapovic website

Information about Akrapovic exhaust systems and related products is available on the Akrapovic website at:

<http://www.akrapovic.com/>

Copyright

No part of the Akrapovic exhaust system or its documentation may be reproduced or distributed in any form or by any means without the prior written authorization of the Akrapovic company.

© Akrapovic, d.d. All rights reserved.

Symbols

The following symbols are used throughout these installation instructions:



USE BOLT SEALANT; Apply 3 to 4 small drops of bolt sealant onto the cleaned and degreased threads before tightening bolts. **WARNING! Avoid contact with skin, eyes and mucous membranes. Do not inhale fumes. Keep out of the reach of children.**



USE ANTI-SEIZING GREASE (white tube); Prevents seizing, corrosion and excessive wear between the titanium components of your exhaust system. **WARNING! Avoid eye contact. Avoid excessive skin contact. Keep out of the reach of children.**



USE ANTI-SEIZE LEAD-FREE COPPER PASTE (black tube); Provides trouble-free and long-lasting protection against seizing, corrosion and rusting of bolts, threaded ends, nuts, joints, etc. Also protects against vibration, wear and impact. **WARNING! Avoid eye contact. Avoid excessive skin contact. Keep out of the reach of children.**


INSTALLATION INSTRUCTIONS

 **BEFORE INSTALLING CHECK SCHEMATIC OF THE EXHAUST SYSTEM!**

! IF ANY ITEMS IN THE AKRAPOVIC EXHAUST SYSTEM PACKAGE ARE MISSING PLEASE CONTACT YOUR AUTHORIZED DEALER. KEEP THE SCHEMATIC FOR FUTURE REFERENCE.

! THESE INSTALLATION INSTRUCTIONS MUST BE READ CAREFULLY IN ORDER TO ENSURE PROPER INSTALLATION AND OPERATION OF THE AKRAPOVIC EXHAUST SYSTEM.

! THE EXHAUST SYSTEM CAN BE EXTREMELY HOT. ALLOW THE MOTORCYCLE TO COOL DOWN BEFORE BEGINNING INSTALLATION.

 **WE ADVISE YOU TO LEAVE INSTALLATION TO A QUALIFIED SERVICEMAN. IMPROPER INSTALLATION MAY RESULT IN A SHORTER LIFETIME OF THE EXHAUST SYSTEM AND/OR DAMAGE TO THE MOTORCYCLE.**



T-handle 8mm wrench
T-handle 10mm wrench
T-handle 10mm swiveling wrench
T-handle 12mm swiveling wrench
T-handle 12mm wrench
T-handle 4mm three hexagon key wrench
T-handle 4mm three hexagon swiveling wrench
T-handle 5mm three hexagon key wrench
T-handle 6mm three hexagon key wrench
Combination 10mm wrench
Combination 22mm wrench
Spring puller
Small slotted head screwdriver

REMOVAL OF STOCK EXHAUST SYSTEM:

1. Put the motorcycle on a side stand, we recommend a racing stand. Make sure, that surface is solid and flat.
2. Unscrew the bolt from the muffler chassis hanging bracket (**Figure 1**).



Figure 1

3. Unscrew the bolt from the exhaust valve heat shield and remove the shield (**Figure 2, 3**).



Figure 2



Figure 3

4. Loosen and completely remove the cables from the exhaust valve (Figure 4, 5).



Figure 4



Figure 5

5. Unscrew the bolt and remove the harness of the exhaust valve cables (Figure 6). Unscrew the bolts from the servo motor chassis hanging bracket (Figure 7).



Figure 6



Figure 7

6. Slightly remove the servo motor (Figure 8). **WARNING: Do not turn the servo motor wheel with force or the servo motor could be damaged.** Completely remove the exhaust valve cables from the servo motor (from the control wheel for cable position) and from the frame (Figure 9).



Figure 8



Figure 9

7. Reinstall the servo motor on its place on the motorcycle using stock bolts (Figure 10, 11). **WARNING! Do not disconnect the electrical installation of the servo motor!**



Figure 10



Figure 11

8. Unscrew the bolt from the metal clamp at the muffler - link pipe joint, remove the muffler, the gasket and flange (Figure 12, 13, 14, 15).



Figure 12



Figure 13



Figure 14



Figure 15

9. Transposition the metal collar from the muffler bracket (Figure 16, 17).



Figure 16



Figure 17

10. Remove the drivers seat (Figure 18, 19).



Figure 18



Figure 19

11. Unscrew the bolts and remove the side panels at the fuel tank (Figure 20, 21).



Figure 20



Figure 21

12. Unscrew the bolt from the fuel tank cover (Figure 22), lift and firmly prop up the fuel tank. **WARNING: make sure that the fuel tank does not drop suddenly; you could damage yourself or the fuel tank (Figure 23).**



Figure 22



Figure 23

13. Unscrew the bolts and remove the plastic fasteners from the left and right side of the cowling (Figure 24, 25, 26, 27, 28, 29, 30, 31, 32, 33, 34).



Figure 24



Figure 25



Figure 26



Figure 27



Figure 28



Figure 29



Figure 30



Figure 31



Figure 32



Figure 33



Figure 34

14. Partially remove the cowling, disconnect the turn signal electrical connector and then completely remove the cowling (Figure 35, 36). Perform the process on both sides of the motorcycle. **WARNING: be careful not to damage the electrical leads or connectors of the turn signals during process of cowling removal!**



Figure 35



Figure 36

15. Unscrew the lambda sensor and redirect the lambda electrical lead into proper position to enable correct installation of the sensor into Akrapovic link pipe (Figure 37, 38). **WARNING: make sure that electrical lead of the lambda sensor does not touch hot or moving parts of the motorcycle!**



Figure 37



Figure 38

16. Unscrew the bolt from the lower water cooler hanging bracket and slightly remove cooler. **WARNING: do not disconnect the cooling system tubes!** Make sure not to damage the cooling fins (Figure 39). Unscrew the nuts from the header tube flanges; make sure not to damage the cooling fins (Figure 40).



Figure 39



Figure 40

17. Unscrew the bolt from chassis hanging bracket of the primary muffler (**Figure 41**) and remove the stock header tubes together with the primary muffler (**Figure 42**).

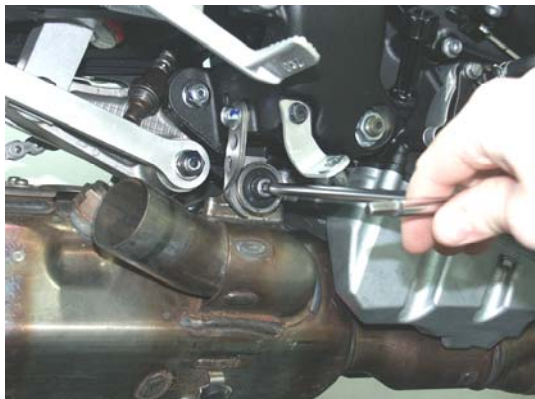


Figure 41



Figure 42

INSTALLATION OF THE AKRAPOVIC RACING OR EVOLUTION EXHAUST SYSTEM

1. Remove the stock chassis hanging brackets of the primary muffler from both sides of the motorcycle (**Figure 43**). Set up the sleeves together with the flanges and springs; make sure they are correctly oriented and that the holes for attaching the springs line up with the loops on the header tubes; do not tighten up the flanges; make sure not to damage the cooling fins (**Figure 44, 45**).



Figure 43



Figure 44



Figure 45

2. Insert the header tubes properly and attach the springs; make sure not to damage the cooling fins (**Figure 46, 47**). Reattach the cooler in the reverse order from the order in which it was removed; (**Tightening torque for cooler bolt: 9.8Nm / 7ftlb**).



Figure 46



Figure 47

3. For easier mounting, put the link pipe and assembled collectors together first. Attach the springs; (**Figure 48, 49**). **For Evolution exhaust only:** coat the interior side of the input bushes of the titanium link pipe with Akrapovic ceramic anti-seizing grease (white tube). **WARNING: make sure, that springs pull the link pipe all the way to the collectors – use rubber mallet if necessary to tap the connections into place!** Slide the assembled collectors and link pipe onto the header tubes and attach the springs (**Figure 50, 51**). **For Evolution exhaust only:** coat the interior side of the input bushes of the titanium collectors with Akrapovic ceramic anti-seizing grease (white tube). **WARNING: make sure, that springs pull the assembled link pipe and collectors all the way to the headers – use rubber mallet if necessary to tap the connections into place!**

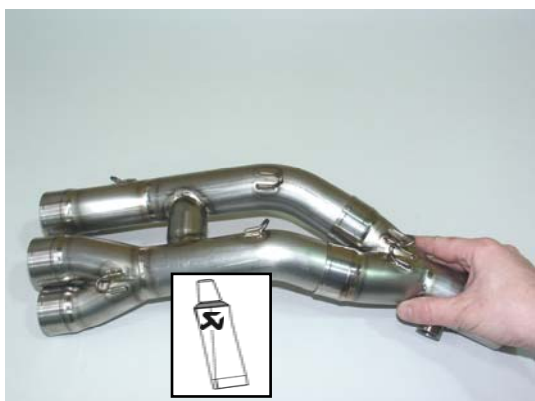


Figure 48



Figure 49

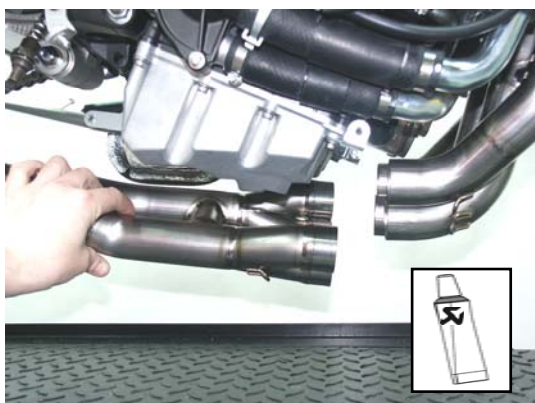


Figure 50



Figure 51

4. Tighten up the flanges, make sure the header tubes are not touching the engine, coolers, other tubes, electrical installations etc.; make sure not to damage the cooling fins during this process (Figure 52). Tighten the lambda sensor; make sure the electrical lead is correctly positioned (Figure 53).



Figure 52

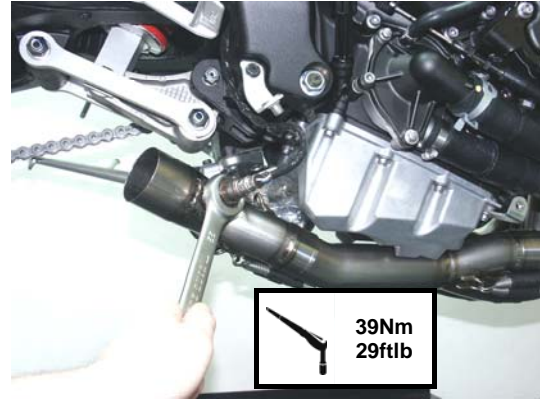


Figure 53

5. Correctly position the carbon-fiber clamp and slide it onto the muffler - bear in mind the left offset of the carbon-fiber clamp viewed from the rear. **WARNING: open the clamp to slightly wider than the diameter of the outer sleeve of the muffler – do not scrape it along the muffler outer sleeve! (Figure 54). For Evolution exhaust only: coat the interior side of the input bush of the muffler with Akrapovic ceramic anti-seizing grease (white tube). Position the muffler correctly and slide onto the outlet side of the link pipe (Figure 55). Position and attach the springs (Figure 56).**



Figure 54



Figure 55



Figure 56

6. Tighten the bolt of the carbon-fiber clamp/stock muffler bracket joint (**Figure 57, 58**). Make sure the muffler is not touching the swing arm or any other parts of the motorcycle.



Figure 57

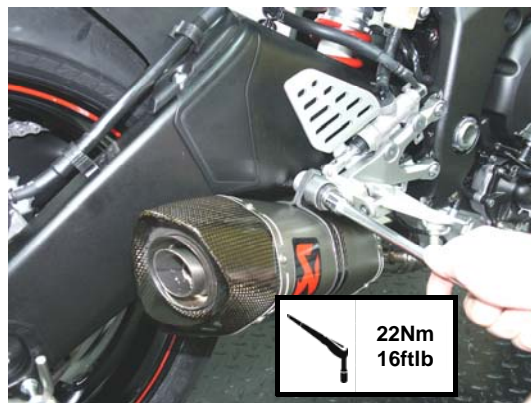


Figure 58

7. Replace all cowlings in the reverse order from the order in which they were removed. **WARNING: make sure, that you reconnect electrical leads which were disconnected during installation!** Stick on the Akrapovič rubber distance washer onto the cowling, where the left collector spring loops touch the cowling (**Figure 59**).



Figure 59

Final installation:

1. Clean grease spots:
 - a. Muffler – carbon-fiber outer sleeve: use a soft dry cloth.
 - b. Muffler – titanium outer sleeve: use a soft cloth sprayed with a multi-purpose spray lubricant (WD-40 or equivalent).
 - c. Muffler – carbon-fiber outlet cap: use a soft dry cloth.
 - d. RACING - stainless steel link pipe, collectors and header tubes: use a soft cloth sprayed with a contact cleaner, then wipe with a soft dry cloth
 - e. EVOLUTION - titanium link pipe, collectors and header tubes : use a soft cloth sprayed with a multi-purpose spray lubricant (WD-40 or equivalent).

Cleaning will prevent spots from burning onto the surface. Do not use aggressive chemical cleaners, because they can damage the sticker.

Position of the correctly installed Akrapovic **RACING OR EVOLUTION** exhaust system (Figure 60).



Figure 60

2. Check the operation of the brakes and suspension. Make sure all the bolts are sufficiently tightened. In case the exhaust system touches the cowling or other parts repeat the adjustment of the exhaust system or contact your authorized dealer.

! IT IS NORMAL IF WHITE SMOKE COMES OUT OF THE MUFFLER ON FIRST OPERATION.

! DO NOT STAND BEHIND THE MUFFLER ON FIRST OPERATION.

! DO NOT USE AUTOMOTIVE WHEEL CLEANERS OR ANY CLEANING PRODUCTS WHICH CONTAIN ACIDIC ADDITIVES TO CLEAN AKRAPOVIC EXHAUST SYSTEMS.

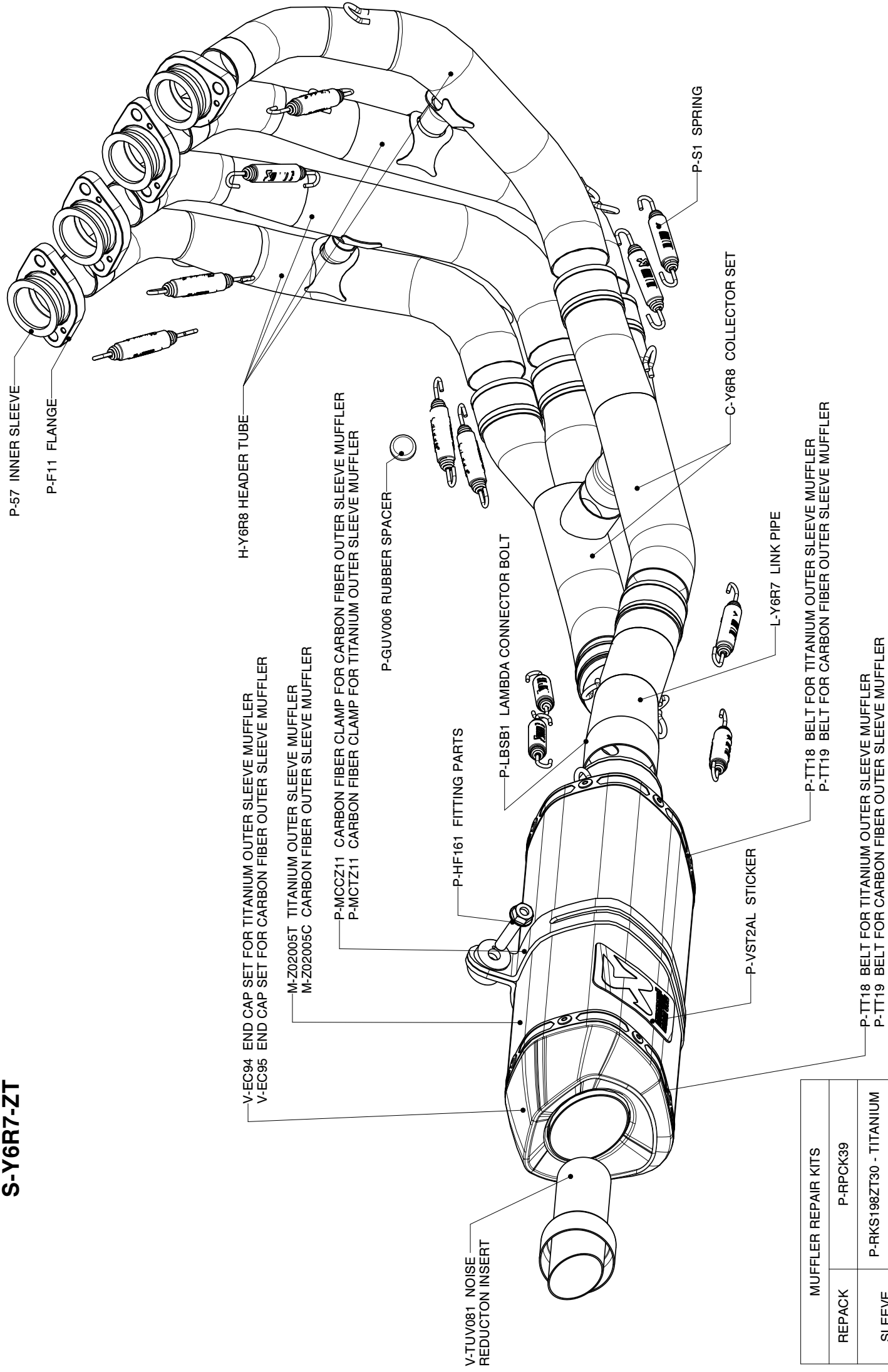
MAINTENANCE OF THE AKRAPOVIC EXHAUST SYSTEM

1. Clean the titanium exhaust components with a multi-purpose spray lubricant (WD-40 or equivalent), carbon fiber exhaust components with soft and dry cloth and stainless steel components with soft cloth sprayed with contact cleaner, then wipe with soft and dry cloth. Do not use aggressive chemical cleaners, because they can damage the sticker. A change in the color of the exhaust system is normal due to the high temperatures.
2. The wearing out of the muffler silencing material depends on the type of the engine and riding style. Contact your dealer/serviceman if visible changes appear on muffler's outer sleeve or the noise level is increased.
3. Periodically make sure all the bolts and springs are sufficiently tight.

Yamaha YZF R6, Complete exhaust system / RACING LINE

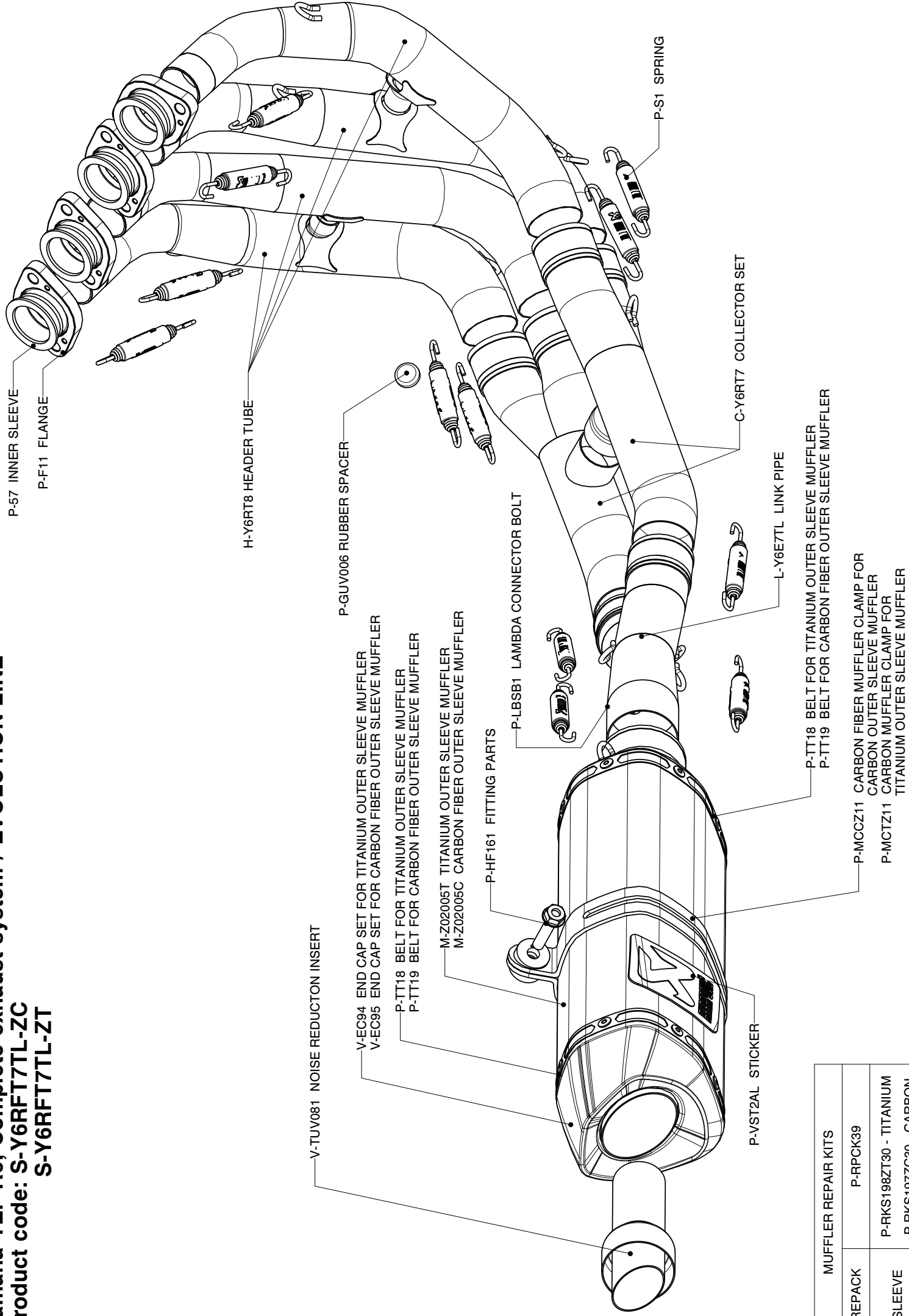
Product code: S-Y6R7-ZC

S-Y6R7-ZT



MUFFLER REPAIR KITS	
REPACK	P-RPCK39
SLEEVE	P-RKS198ZT30 - TITANIUM
	P-RKS197ZC30 - CARBON

Yamaha YZF R6, Complete exhaust system / EVOLUTION LINE
Product code: S-Y6RFT7TL-ZC
S-Y6RFT7TL-ZT

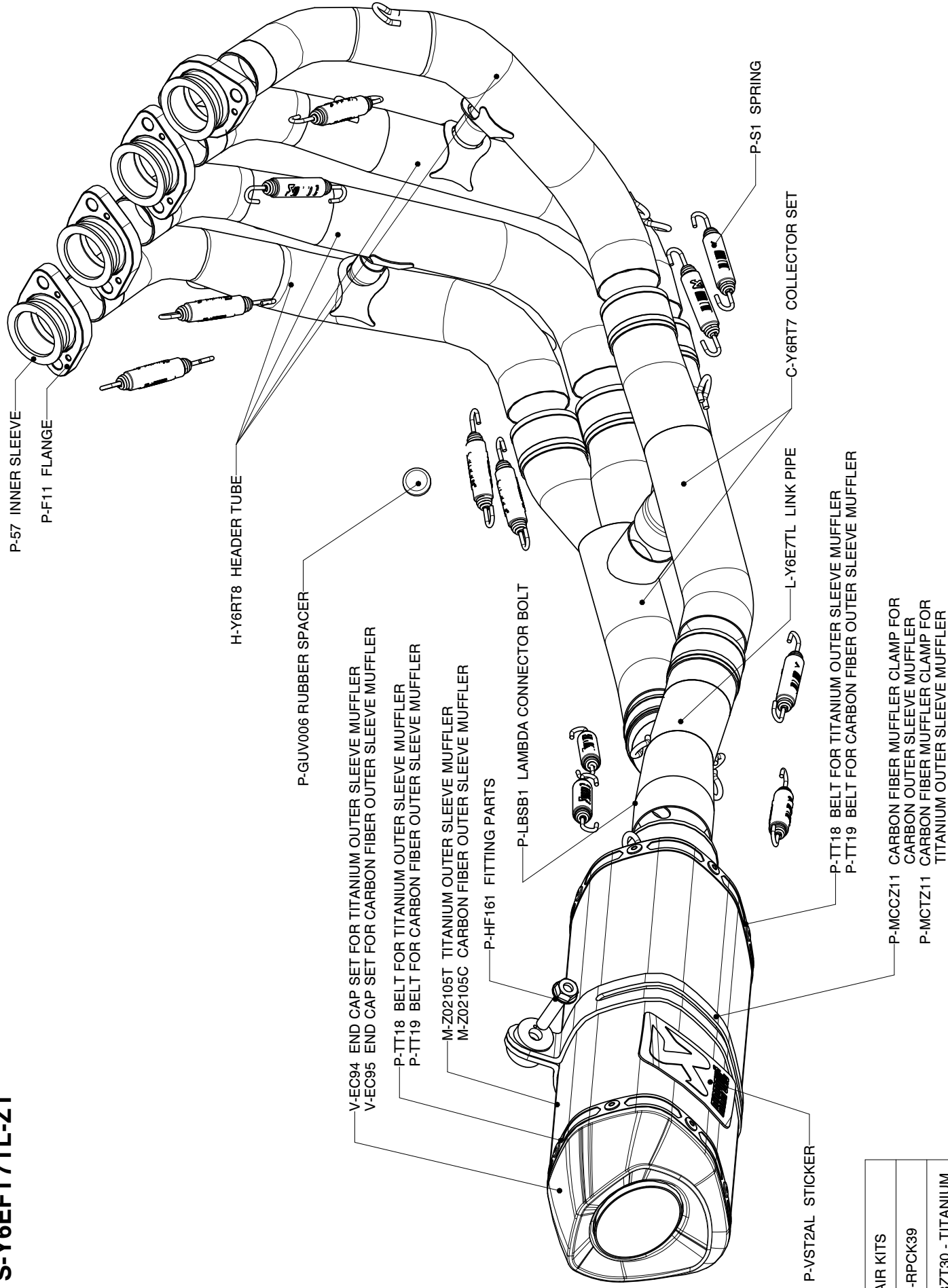


MUFFLER REPAIR KITS	
REPACK	P-RPCK39
SLEEVE	P-RKS198ZT30 - TITANIUM
	P-RKS197ZC30 - CARBON

Yamaha YZF R6, Complete exhaust system / EVOLUTION KIT LINE

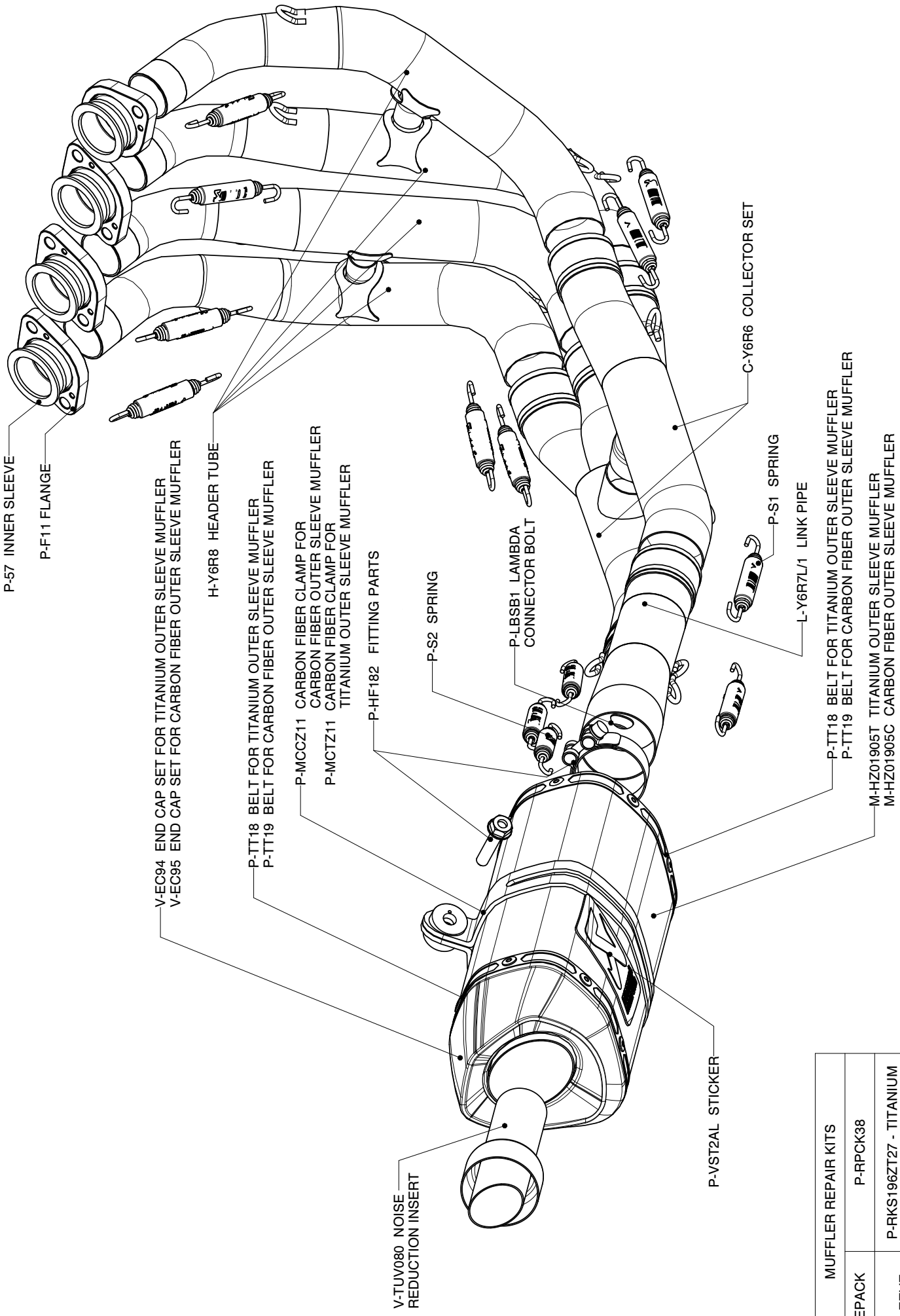
Product code: S-Y6EFT7TL-ZC

S-Y6EFT7TL-ZT



MUFFLER REPAIR KITS	
REPACK	P-RPCK39
SLEEVE	P-RKS198ZT30 - TITANIUM
	P-RKS197ZC30 - CARBON

Yamaha YZF R6, Complete exhaust system / RACING LINE tube set with Street legal SLIP-ON Mufflers
Product code: S-Y6R7-ZC/1
S-Y6R7-ZT/1



MUFFLER REPAIR KITS	
REPACK	P-RPCK38
SLEEVE	P-RKS196ZT27 - TITANIUM
	P-RKS195ZC27 - CARBON

P-57 INNER SLEEVE

P-F11 FLANGE

V-EC94 END CAP SET FOR TITANIUM OUTER SLEEVE MUFFLER
 V-EC95 END CAP SET FOR CARBON FIBER OUTER SLEEVE MUFFLER

H-Y6R8 HEADER TUBE

P-TT18 BELT FOR TITANIUM OUTER SLEEVE MUFFLER
 P-TT19 BELT FOR CARBON FIBER OUTER SLEEVE MUFFLER

P-MCCZ11 CARBON FIBER CLAMP FOR
 CARBON FIBER OUTER SLEEVE MUFFLER
 P-MCTZ11 CARBON FIBER CLAMP FOR
 TITANIUM OUTER SLEEVE MUFFLER

P-HF182 FITTING PARTS

V-TUV080 NOISE
 REDUCTION INSERT

P-S2 SPRING

P-LBSB1 LAMBDA
 CONNECTOR BOLT

P-VST2AL STICKER

P-S1 SPRING

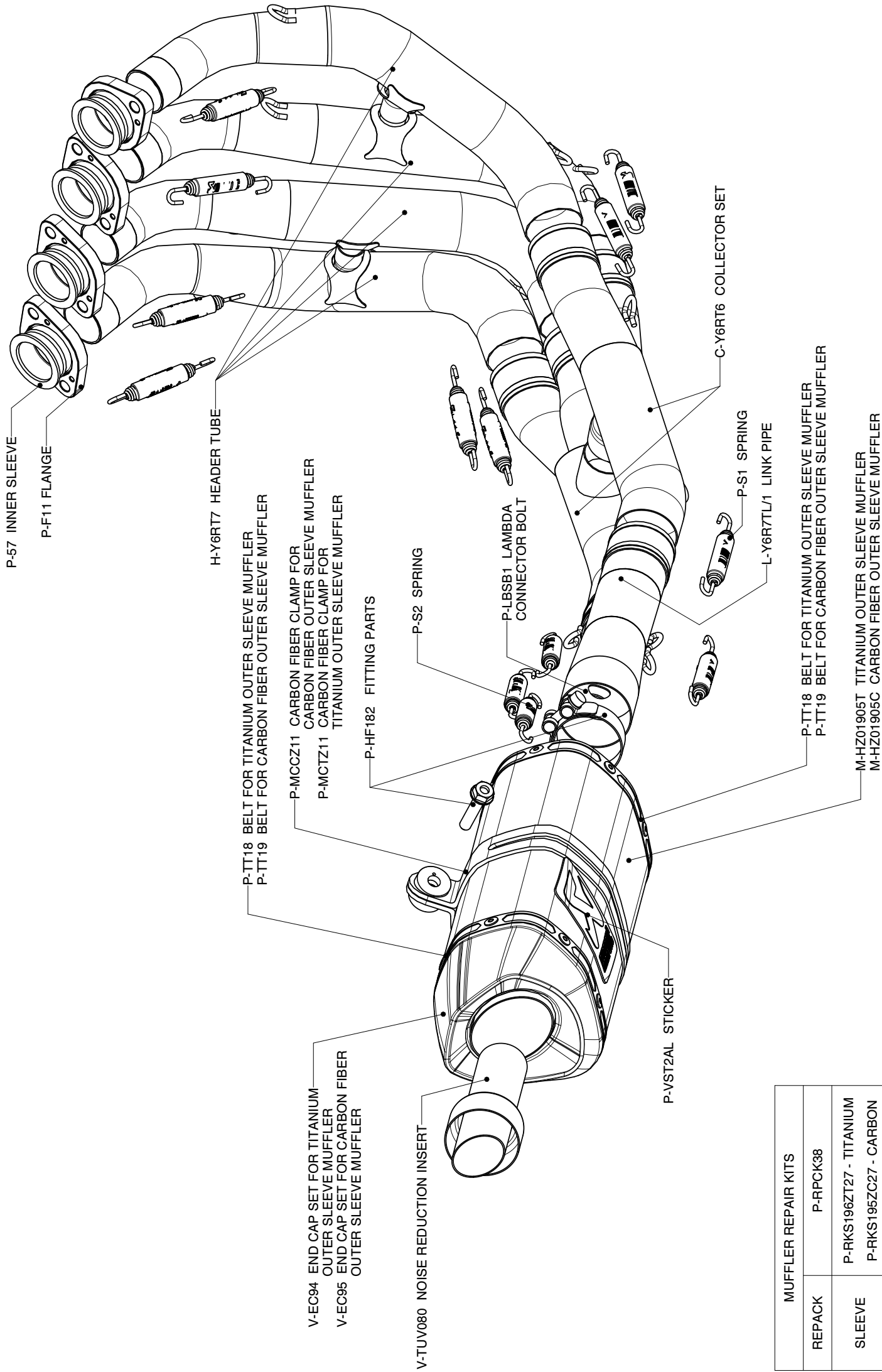
L-Y6R7L/1 LINK PIPE

C-Y6R6 COLLECTOR SET

P-TT18 BELT FOR TITANIUM OUTER SLEEVE MUFFLER
 P-TT19 BELT FOR CARBON FIBER OUTER SLEEVE MUFFLER

M-HZ01905T TITANIUM OUTER SLEEVE MUFFLER
 M-HZ01905C CARBON FIBER OUTER SLEEVE MUFFLER

Yamaha YZF R6, Complete exhaust system / EVOLUTION LINE tube set with Street legal SLIP-ON Mufflers
Product code: S-Y6RFT7TL-ZC/1
S-Y6RFT7TL-ZT/1



MUFFLER REPAIR KITS	
REPACK	P-RPCK38
SLEEVE	P-RKS196ZT27 - TITANIUM
	P-RKS195ZC27 - CARBON

WARNING:

Please note that certain aftermarket exhaust systems may not comply with applicable California laws and regulations, and may therefore be prohibited for use on California highways or roads, or on roads or vehicles otherwise subject to emissions control requirements.

Akrapovič exhaust systems for automobiles and motorcycles mounted downstream of the catalytic converter (also known as “cat-back systems”) are considered “replacement parts” in California by the California Air Resources Board (CARB), and do not require an exemption or executive order from CARB to be sold in California. However, California prohibits the use of any aftermarket exhaust system that modifies, removes or replaces original equipment catalysts, unless CARB has issued an Executive Order as to such part or system.

Further, Akrapovič parts or exhaust systems used or intended for use on “racing vehicles” (i.e. a competition vehicle used exclusively for competition on closed-course circuits) do not require an exemption or Executive Order from CARB to be sold in California. However, such parts are prohibited from use on California public highways or roads, even if occasionally used “off-road.”