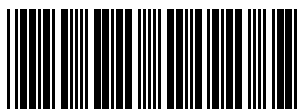




## Installation instructions

Akrapovič Exhaust Systems  
**Slip-On and Slip-On Megaphone**  
for the  
**Suzuki GSX-R 600**  
**Suzuki GSX-R 750**



\*503093\*

**Congratulations on purchasing an Akrapovič exhaust system. Please read these installation instructions carefully. If you have any trouble installing the system please contact your authorized dealer!**

## **IMPORTANT INFORMATION**

### **Exclusion of Certain Liability**

1. The manufacturer, importer or dealer shall not be liable for any incidental damage including personal injury or any other damages caused by improper installation or operation of the Akrapovič exhaust system. When installing the Akrapovič exhaust system be careful that the exhaust system does not touch other parts sensitive to high temperature.
2. Akrapovič makes no representation or warranties with regard to damage caused by the improper installation, use and maintenance of the Akrapovič exhaust system. The warranty is limited to defects recognized by our technical department and due to normal use, and excludes items subject to normal wear (gaskets and damping wool). The guarantee is void in case of accident, modification, improper or competition use.
3. Do not attempt to install the Akrapovič exhaust system on a vehicle model for which it was not made or tested by Akrapovič.
4. When the exhaust system gets very hot during operation, be careful not to burn yourself on the exhaust system or parts which are in direct contact with it, even when the engine is not running. Also protect other people, especially children, from the injuries mentioned above.
5. In some cases Akrapovič exhaust system kits contain chemical products (ceramic anti-seizing grease; bolt sealant). Handle with care, do not inhale or swallow. Avoid excessive contact with skin, eyes or mucous membranes. Keep out of reach of children.
6. Technical specifications of Akrapovič exhaust systems and related products are subject to change without notice.

### **Trademarks**

The Akrapovič Exhaust System Technology logo is a registered trademark of Akrapovič d.d.

### **Akrapovič website**

Information about Akrapovič exhaust systems and related products is available on the Akrapovič website at:

**<http://www.akrapovic.com>**

### **Copyright**

No part of the Akrapovič exhaust system or its documentation may be reproduced or distributed in any form or by any means without the prior written authorization of the Akrapovič company.

© Akrapovič, d.d. All rights reserved.

### **Symbols**

The following symbols are used throughout these installation instructions:



**TOOLS REQUIRED**



**TIGHTENING TORQUE**



**INSTALLATION TIP**



**CAUTION OR WARNING**



**USE BOLT SEALANT;** Apply 3 to 4 small drops of bolt sealant onto the cleaned and degreased threads before tightening the bolts. **WARNING! Avoid contact with skin, eyes and mucous membranes. Do not inhale fumes. Keep out of reach of children.**



**USE ANTI-SEIZE LEAD-FREE COPPER PASTE** (black tube); Provides trouble-free and long-lasting protection against seizing, corrosion and rusting of bolts, threaded ends, nuts, joints, etc. Also protects against vibration, wear and impact. **WARNING! Avoid eye contact. Avoid excessive skin contact. Keep out of reach of children.**



**USE ANTI-SEIZING GREASE** (white tube); Prevents seizing, corrosion and excessive wear between the titanium components of your exhaust system. **WARNING! Avoid eye contact. Avoid excessive skin contact. Keep out of reach of children.**



T-handle 12 mm wrench  
T-handle 4 mm three hexagon key wrench  
T-handle 5 mm three hexagon key wrench  
T-handle 6 mm three hexagon key wrench  
Combination 12 mm wrench  
Spring puller



**BEFORE INSTALLING, CHECK SCHEMATIC OF THE EXHAUST SYSTEM!**



**IF ANY ITEMS IN THE AKRAPOVIČ EXHAUST SYSTEM PACKAGE ARE MISSING, PLEASE CONTACT YOUR AUTHORIZED DEALER. KEEP THE SCHEMATIC FOR FUTURE REFERENCE.**



**THESE INSTALLATION INSTRUCTIONS MUST BE READ CAREFULLY IN ORDER TO ENSURE PROPER INSTALLATION AND OPERATION OF THE AKRAPOVIČ EXHAUST SYSTEM.**



**THE EXHAUST SYSTEM CAN BE EXTREMELY HOT. ALLOW THE EXHAUST AND ENGINE TO COOL DOWN BEFORE BEGINNING INSTALLATION.**



**WE ADVISE YOU TO LEAVE INSTALLATION TO A QUALIFIED SERVICEMAN. IMPROPER INSTALLATION MAY RESULT IN A SHORTER LIFETIME OF THE EXHAUST SYSTEM AND/OR DAMAGE TO THE VEHICLE.**

**REMOVAL OF ORIGINAL EXHAUST SYSTEM:**

1. Put the motorcycle on a side stand, we recommend a racing stand. Make sure, that surface is solid and flat.
2. Unscrew the marked bolt and remove the link pipe heat shield (**Figure 1**).



Figure 1

3. Untighten the marked link pipe clamp (**Figure 2**).



Figure 2

4. Unscrew the marked muffler bracket bolt and remove the original muffler of the motorcycle (**Figure 3**).



Figure 3

**INSTALLATION OF THE AKRAPOVIČ EXHAUST SYSTEMS:**

1. **For Slip-On only:** instal Akrapovič metal clamp onto the link pipe, as shown (**Figure 4**).
- ! WARNING:** use anti-seize copper paste on bolt threads of the metal clamp!



Figure 4



2. **For Slip-On only:** correctly position and slide the Akrapovič link pipe onto the original catalytic converter box and hand tighten the metal clamp (**Figure 5**).

! **CAUTION:** hand tighten the metal clamp only!



Figure 5

3. **For Slip-On only:** correctly position the carbon-fiber clamp and slide it onto the muffler - bear in mind the **left offset** of the carbon-fiber clamp; check the position of the yellow sticker on the clamp (**Figure 6, 7**).

! **WARNING:** open the clamp slightly wider than the diameter of the outer sleeve of the muffler – do not scrape it along the muffler outer sleeve!



Figure 6



Figure 7

4. **For Slip-On only:** slide the muffler all the way onto the Akrapovič link pipe and attach the spring. Align the muffler in respect to the motorcycle and tighten the carbon-fiber clamp using original bolt, washer and nut, then tighten the metal clamp at the Akrapovič link pipe / original catalytic converter box joint (**Figure 8**).

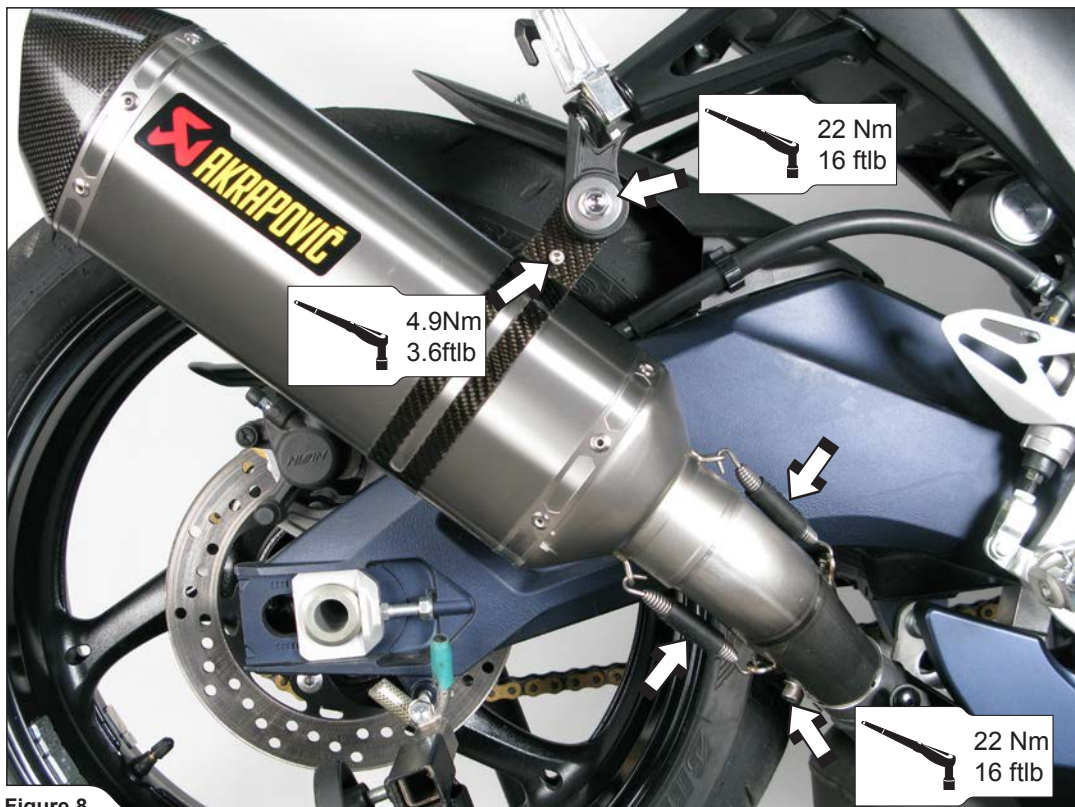


Figure 8



5. **For Slip-On Megaphone only:** instal Akrapovič metal clamp onto the megaphone, as shown (Figure 9).  
**! WARNING:** use anti-seize copper paste on bolt threads of the metal clamp!



Figure 9

6. **For Slip-On Megaphone only:** slide the Megaphone all the way onto the original catalytic converter box, align the Megaphone in respect to the motorcycle and tighten the bracket, using original bolt, washer and nut, then tighten the metal clamp at the Megaphone / original catalytic converter box joint (Figure 10).



Figure 10



**Final installation:**

Clean grease spots:

- a. Muffler – carbon-fiber outer sleeve: use a soft dry cloth.
- b. Muffler – titanium outer sleeve: use a soft cloth sprayed with a multi-purpose spray lubricant (WD-40 or equivalent).
- c. Muffler – carbon-fiber outlet cap: use a soft dry cloth.
- d. Titanium link pipe: use a soft cloth sprayed with a multi-purpose spray lubricant (WD-40 or equivalent).
- e. Megaphone - titanium: use a soft cloth sprayed with a multi - purpose spray lubricant (WD-40 or equivalent).

Cleaning will prevent spots from burning onto the surface. Do not use aggressive chemical cleaners, because they can damage the sticker.

**! WARNING: make sure all the bolts are sufficiently tightened. In case the exhaust system touches the cowling or other parts repeat the adjustment of the exhaust system or contact your authorized dealer.**

**! WARNING: check vehicle manufacturer manual for tightening torques (for dismantled stock parts)!**

**! IT IS NORMAL IF WHITE SMOKE COMES OUT OF THE MUFFLER ON FIRST OPERATION.**

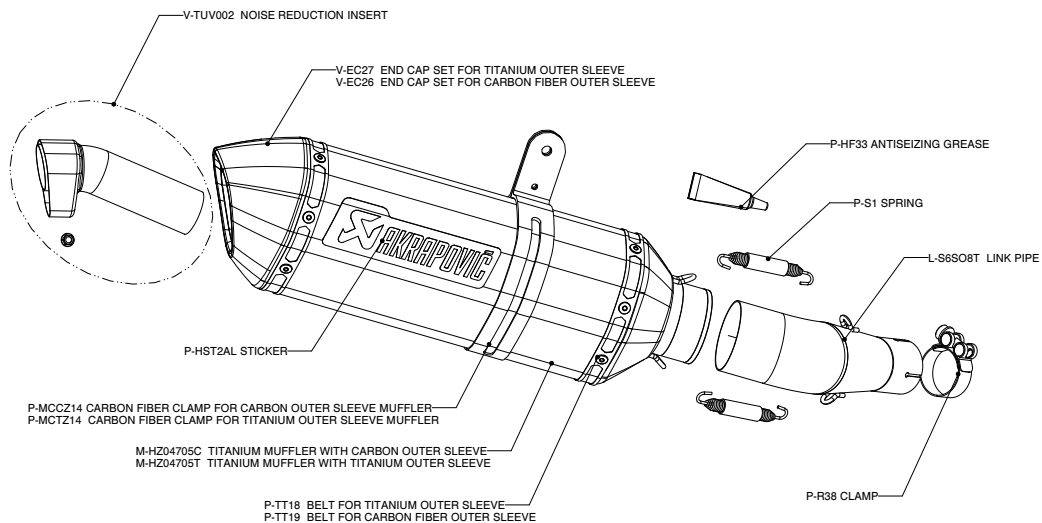
**! DO NOT STAND BEHIND THE MUFFLER ON FIRST OPERATION.**

**! DO NOT USE AUTOMOTIVE WHEEL CLEANERS OR ANY CLEANING PRODUCTS WHICH CONTAIN ACIDIC ADDITIVES TO CLEAN AKRAPOVIČ EXHAUST SYSTEMS.**

**MAINTENANCE OF THE AKRAPOVIČ EXHAUST SYSTEM:**

1. Clean the titanium exhaust components with a multi-purpose spray lubricant (WD-40 or equivalent), carbon fiber exhaust components with soft and dry cloth and stainless steel components with soft cloth sprayed with contact cleaner, then wipe with soft and dry cloth. A change in the color of the exhaust system is normal due to the high temperatures.
2. Periodically make sure all the bolts and springs are sufficiently tight.

**Suzuki GSX-R600, Partial exhaust system / Slip-ON line / Street legal**  
**Suzuki GSX-R750, Partial exhaust system / Slip-ON line / Street legal**  
**Product code: S-S6SO8-HZC**  
**S-S6SO8-HZT**



MUFFLER REPAIR KITS	
REPACK	P-RPCK39
Ca SLEEVE	P-RKS115ZC30
Ti SLEEVE	P-RKS116ZT30

**SUZUKI GSX-R600, SLIP-ON exhaust system MEGAFON**  
**SUZUKI GSX-R750, SLIP-ON exhaust system MEGAFON**  
**Product code: SM-S6S02T**

