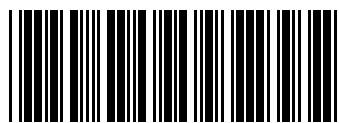




Installation instructions

Akrapovič Exhaust Systems
**Slip-On Twin, Slip-On Megaphone,
Slip-On Single, Optional Y Collector**
for the
Suzuki GSX-R 1000



502278

www.akrapovic.com

Congratulations on purchasing an Akrapovič exhaust system. Please read these installation instructions carefully. If you have any trouble installing the system please contact your authorized dealer!

IMPORTANT INFORMATION

Exclusion of Certain Liability

1. The manufacturer, importer or dealer shall not be liable for any incidental damage including personal injury or any other damages caused by improper installation or operation of the Akrapovič exhaust system. When installing the Akrapovič exhaust system be careful that the exhaust system does not touch other parts sensitive to high temperature.
2. Akrapovič makes no representation or warranties with regard to damage caused by the improper installation, use and maintenance of the Akrapovič exhaust system. The warranty is limited to defects recognized by our technical department and due to normal use, and excludes items subject to normal wear (gaskets and damping wool). The guarantee is void in case of accident, modification, improper or competition use.
3. Do not attempt to install the Akrapovič exhaust system on a vehicle model for which it was not made or tested by Akrapovič.
4. When the exhaust system gets very hot during operation, be careful not to burn yourself on the exhaust system or parts which are in direct contact with it, even when the engine is not running. Also protect other people, especially children, from the injuries mentioned above.
5. In some cases Akrapovič exhaust system kits contain chemical products (ceramic anti-seizing grease; bolt sealant). Handle with care, do not inhale or swallow. Avoid excessive contact with skin, eyes or mucous membranes. Keep out of reach of children.
6. Technical specifications of Akrapovič exhaust systems and related products are subject to change without notice.

Trademarks

The Akrapovič Exhaust System Technology logo is a registered trademark of Akrapovič d.d.

Akrapovič website

Information about Akrapovič exhaust systems and related products is available on the Akrapovič website at:

<http://www.akrapovic.com>

Copyright

No part of the Akrapovič exhaust system or its documentation may be reproduced or distributed in any form or by any means without the prior written authorization of the Akrapovič company.

© Akrapovič, d.d. All rights reserved.

Symbols

The following symbols are used throughout these installation instructions:



TOOLS REQUIRED



TIGHTENING TORQUE



INSTALLATION TIP



CAUTION OR WARNING



USE BOLT SEALANT; Apply 3 to 4 small drops of bolt sealant onto the cleaned and degreased threads before tightening the bolts. **WARNING! Avoid contact with skin, eyes and mucous membranes. Do not inhale fumes. Keep out of reach of children.**



USE ANTI-SEIZE LEAD-FREE COPPER PASTE (black tube); Provides trouble-free and long-lasting protection against seizing, corrosion and rusting of bolts, threaded ends, nuts, joints, etc. Also protects against vibration, wear and impact. **WARNING! Avoid eye contact. Avoid excessive skin contact. Keep out of reach of children.**



USE ANTI-SEIZING GREASE (white tube); Prevents seizing, corrosion and excessive wear between the titanium components of your exhaust system. **WARNING! Avoid eye contact. Avoid excessive skin contact. Keep out of reach of children.**



T-handle 12 mm wrench
T-handle 12 mm swiveling wrench
T-handle 4 mm three hexagon key wrench
T-handle 5 mm three hexagon key wrench
Combination 12 mm wrench
Combination 17 mm wrench
Spring puller



BEFORE INSTALLING, CHECK SCHEMATIC OF THE EXHAUST SYSTEM!



IF ANY ITEMS IN THE AKRAPOVIČ EXHAUST SYSTEM PACKAGE ARE MISSING, PLEASE CONTACT YOUR AUTHORIZED DEALER. KEEP THE SCHEMATIC FOR FUTURE REFERENCE.



THESE INSTALLATION INSTRUCTIONS MUST BE READ CAREFULLY IN ORDER TO ENSURE PROPER INSTALLATION AND OPERATION OF THE AKRAPOVIČ EXHAUST SYSTEM.



THE EXHAUST SYSTEM CAN BE EXTREMELY HOT. ALLOW THE EXHAUST AND ENGINE TO COOL DOWN BEFORE BEGINNING INSTALLATION.



WE ADVISE YOU TO LEAVE INSTALLATION TO A QUALIFIED SERVICEMAN. IMPROPER INSTALLATION MAY RESULT IN A SHORTER LIFETIME OF THE EXHAUST SYSTEM AND/OR DAMAGE TO THE VEHICLE.

REMOVAL OF STOCK EXHAUST SYSTEM

1. Put the motorcycle on a side stand, we recommend a racing stand. Make sure, that surface is solid and flat.
2. Unscrew the marked bolt from the metal clamp at the muffler - catalytic converter box joint and bolt from muffler bracket. Remove the muffler. Perform the process on both sides of the motorcycle (**Figure 1**).



Figure 1

3. For Slip-On Single and optional Y collector: untighten the bolt of the stock metal clamp. Unscrew and remove the marked bolts of the catalytic converter box brackets (**Figure 2**).

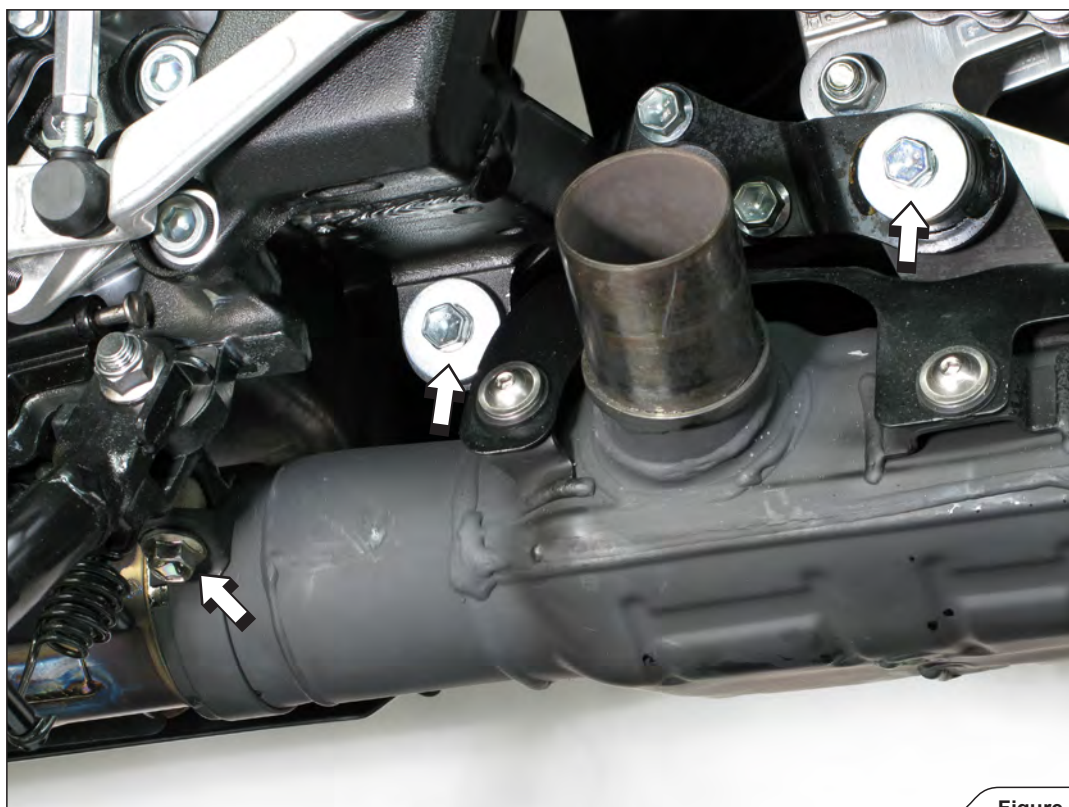


Figure 2

4. For Slip-On Single and optional Y collector: unscrew the marked bolts and remove the stock heat shield (Figure 3, 4).

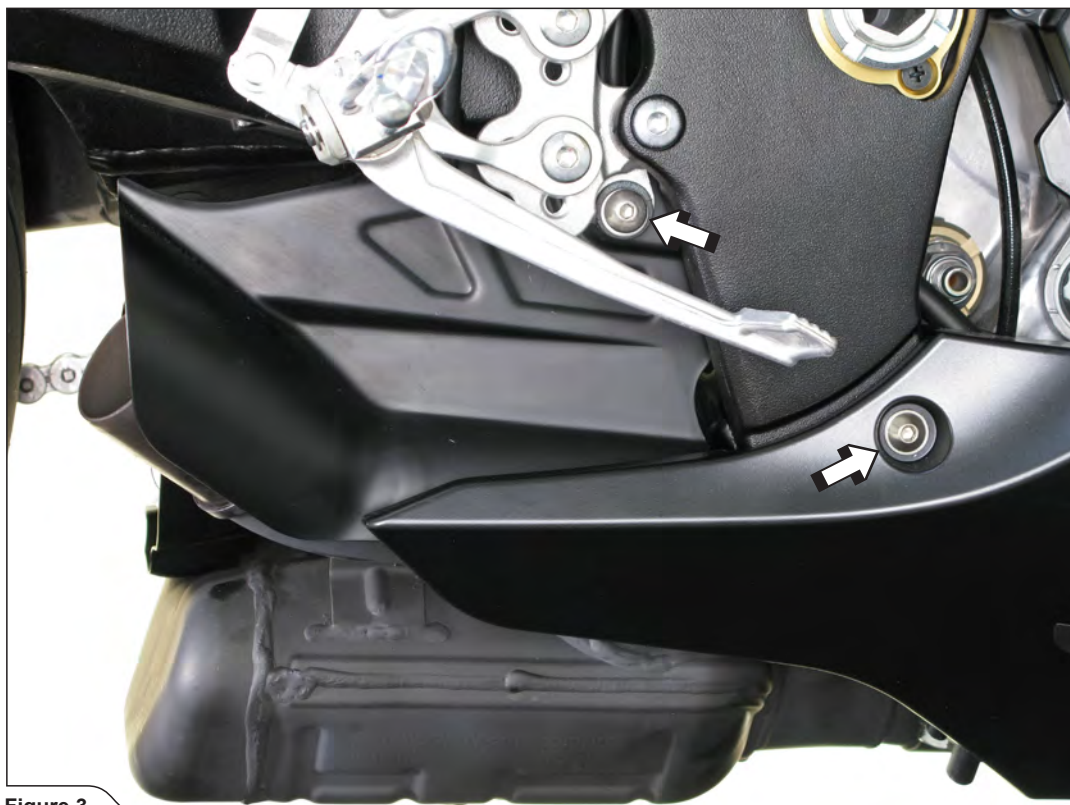


Figure 3

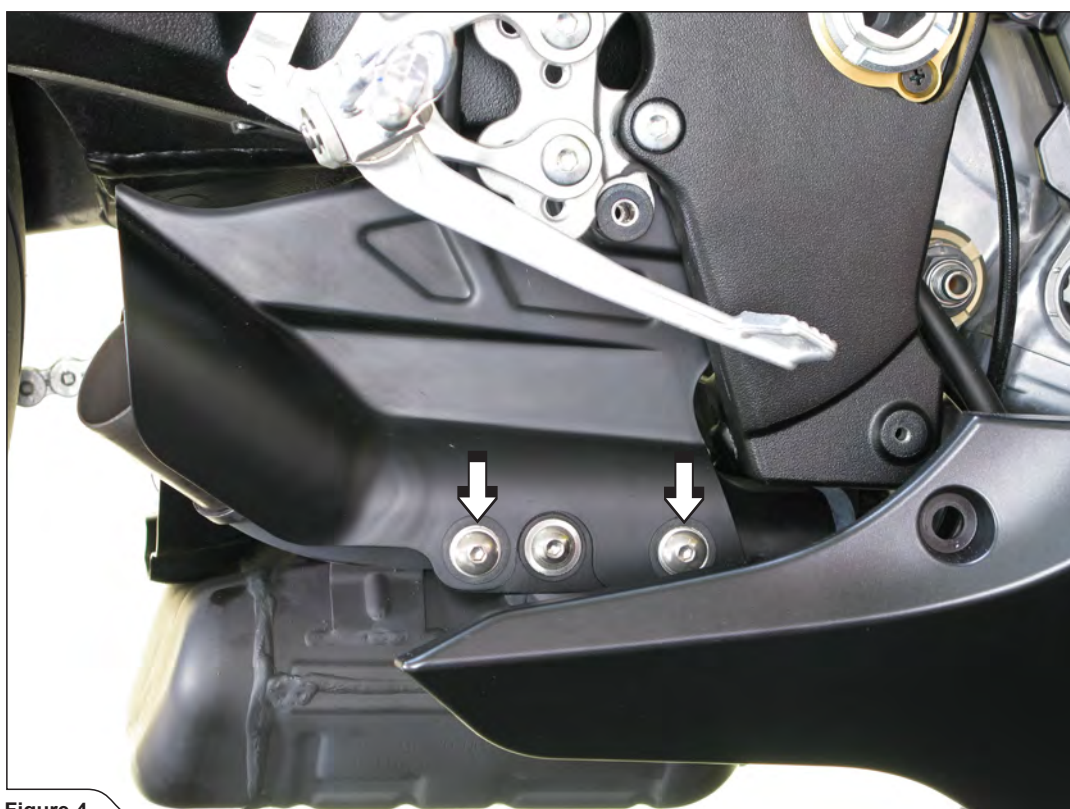


Figure 4

5. For Slip-On Single and optional Y collector: unscrew and remove the marked bolt of the catalytic converter box bracket and unscrew the lambda sensor. Remove the catalytic converter box and the metal collars from the catalytic converter box brackets (Figure 5, 6).

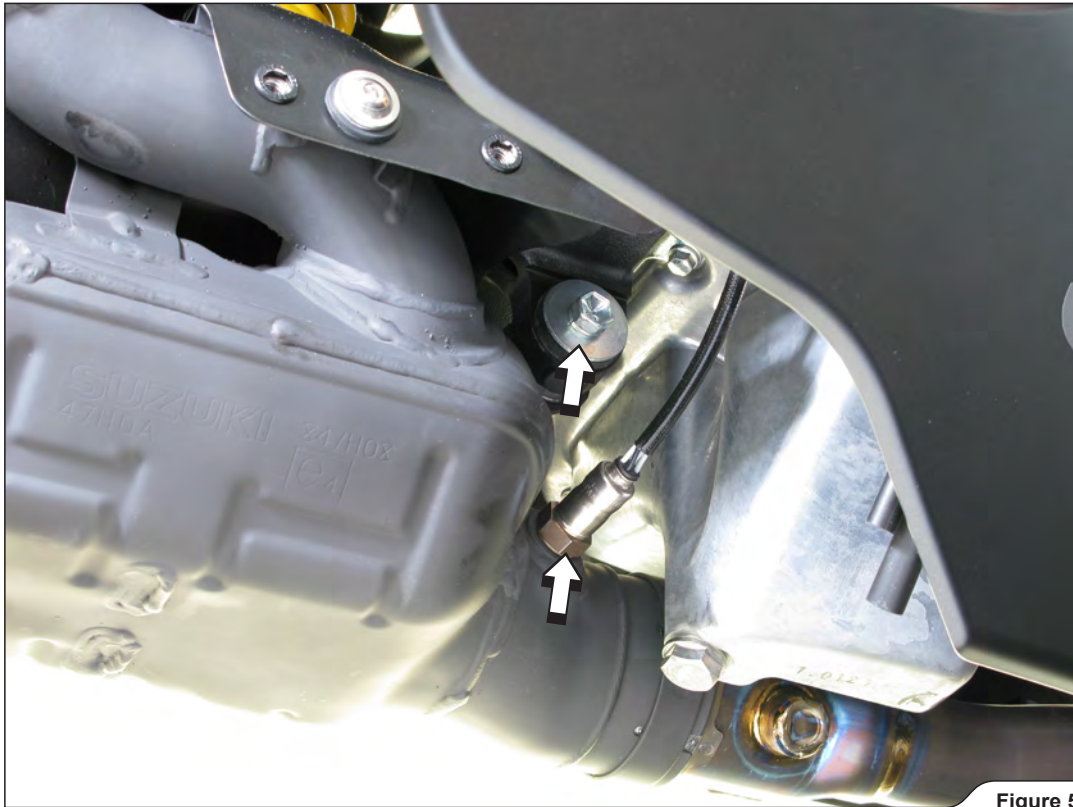


Figure 5

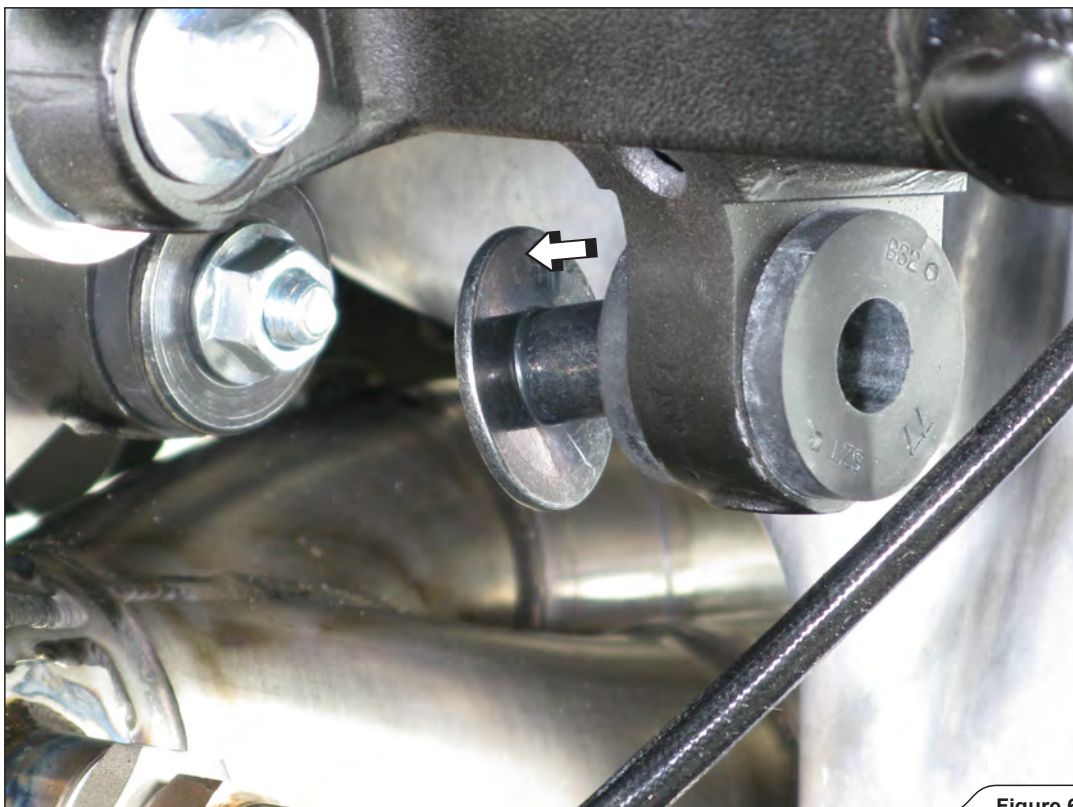


Figure 6

INSTALLATION OF THE AKRAPOVIČ SLIP-ON Twin, SLIP-ON Megaphone, SLIP-ON Single and optional Y collector EXHAUST SYSTEMS:

1. For Megaphone, Slip-On Twin: correctly install the metal clamps onto the inlet bushes of the link pipes (Figure 7).
! **WARNING:** use anti-seize copper paste on bolt threads and interior of the metal clamps!



Figure 7

2. For Slip-On Megaphone, Slip-On Twin: Slide the link pipes onto the catalytic converter box (Figure 8).



Figure 8

3. **For Slip-On Single:** coat the bolt and interior of metal clamp with Akrapovič anti-seize lead-free copper paste (black tube) and correctly install the metal clamp onto the inlet bush of the link pipe (**Figure 9, 10**).
! WARNING: use anti-seize copper paste on bolt threads and interior of the metal clamp!



Figure 9



Figure 10

4. **For optional Y collector:** coat the bolt and interior of metal clamp with Akrapovič anti-seize lead-free copper paste (black tube) and correctly install the metal clamp onto the inlet bush of the link pipe (**Figure 11**).
! WARNING: use anti-seize copper paste on bolt threads and interior of the metal clamp!



Figure 11

5. **For optional Y collector:** slide the optional collector onto the stock header assembly and tighten the lambda sensor, metal clamp and collector bracket (using stock bolt and Akrapovič nut) (**Figure 12**).
! WARNING: grease only the threads of the lambda sensor with Akrapovič anti-seize lead-free copper paste (black tube)!

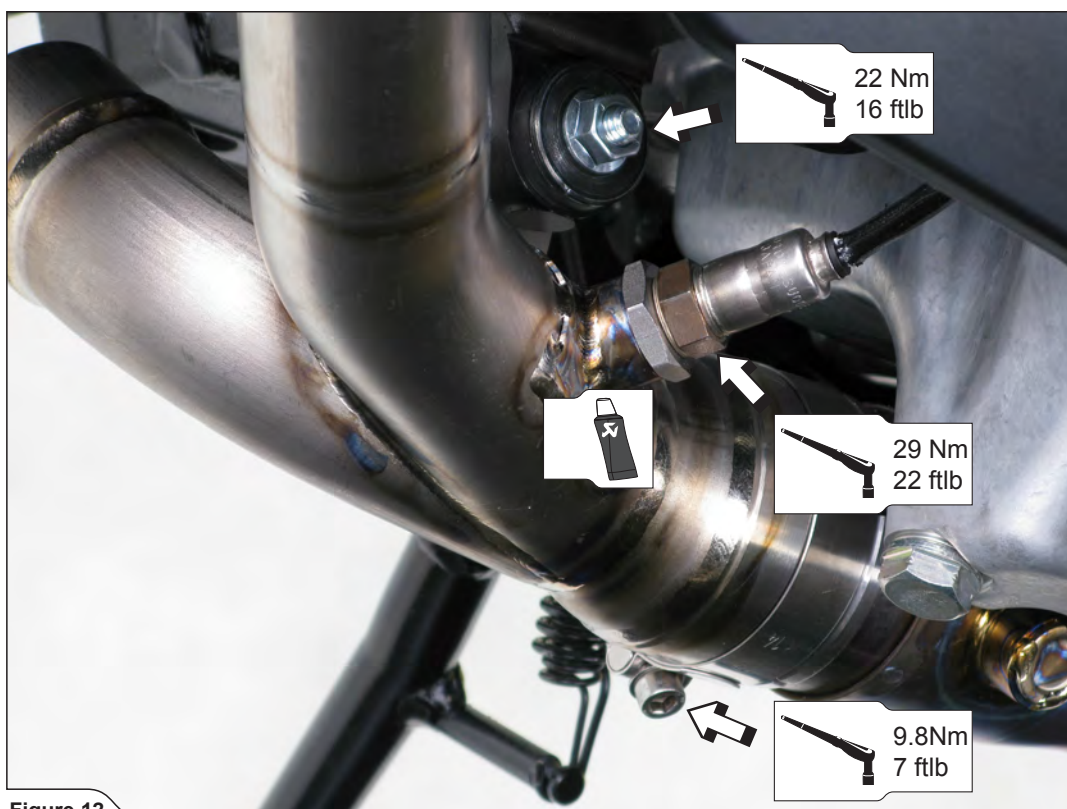


Figure 12

6. For the Slip-On Single: slide the link pipe onto the stock collector header assembly (Figure 13).



Figure 13

7. For Slip-On Twin: correctly position the carbon-fiber clamps and slide them onto the mufflers (Figure 14, 15).
! WARNING: the right offset of the carbon-fiber clamp viewed from the rear for right side and for the left side
! WARNING: open the clamp slightly wider than the diameter of the outer sleeve of the muffler – do not scrape it along the muffler outer sleeve!



Figure 14



Figure 15

8. **For Slip-On Single:** correctly position the carbon-fiber clamp and slide it onto the muffler - bear in mind the **left offset** of the carbon-fiber clamp viewed from the rear for right side (**Figure 16**).
- ! WARNING:** open the clamp slightly wider than the diameter of the outer sleeve of the muffler – do not scrape it along the muffler outer sleeve!



Figure 16

9. **For Slip-On Twin, Slip-On Single:** Position the muffler(s) correctly and slide it(them) onto the outlet side of the link pipe(s). Attach the springs and tighten the bolt(s) of the metal clamp(s) at the link pipe(s) and on the carbon-fiber clamp(s)/stock muffler bracket joint (**Figure 17**).

INSTALLATION TIP: coat the interior of the muffler(s) inlet bush(es) with ceramic grease (white tube).

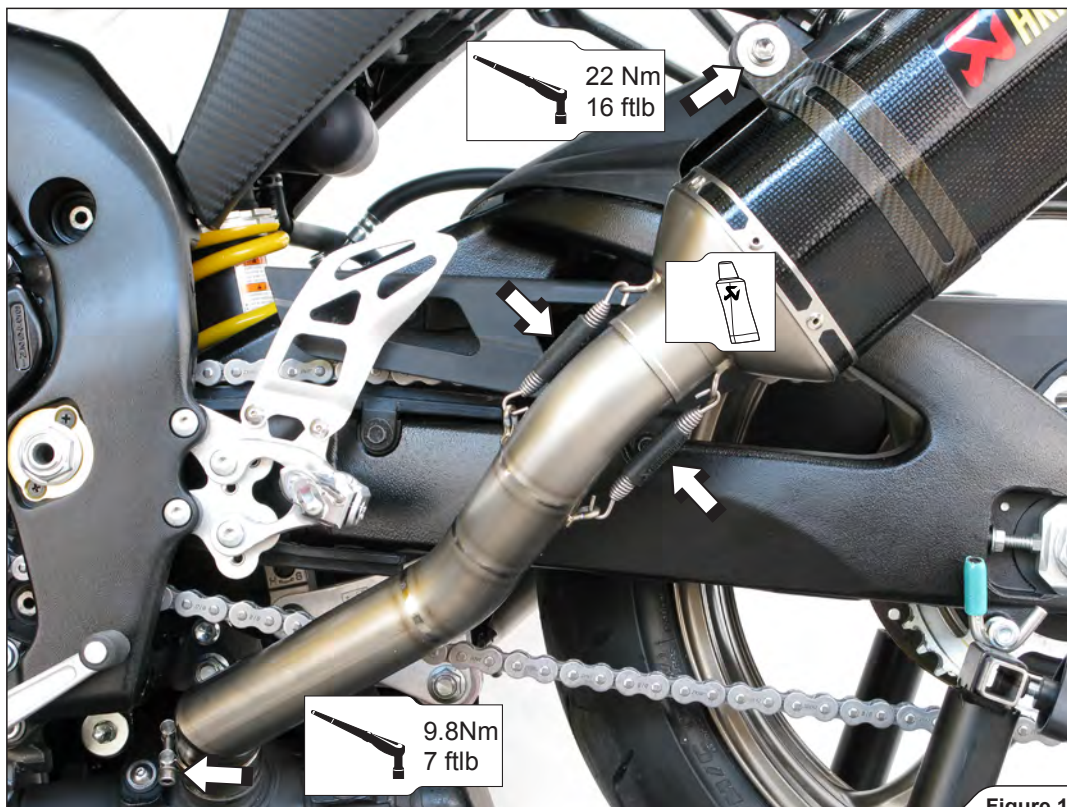


Figure 17

10. **For CONICAL shape muffler:** position the mufflers correctly and slide them onto the outlet side of the link pipes. Attach the springs and tighten the mufflers bracket onto the stock bracket using stock bolt, washer and nut and tighten the bolt of the metal clamp at the catalytic converter box. **For MEGAPHONE:** Tighten the mufflers bracket onto the stock bracket using stock bolt, washer and nut and tighten the bolt of the metal clamp at the catalytic converter box (**Figure 18**).

INSTALLATION TIP: coat the interior of the muffler(s) inlet bush(es) with ceramic grease (white tube).

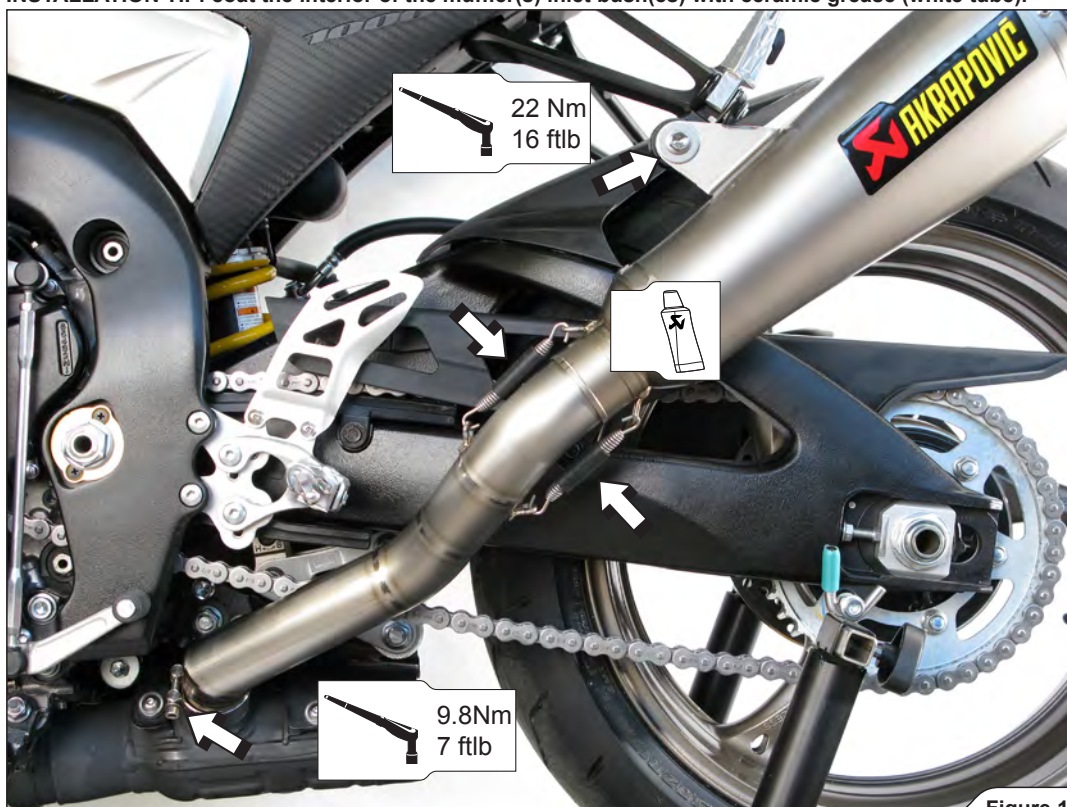


Figure 18

11. For the Slip-On Single: tighten the lambda sensor, metal clamp and bolt of the lower cowling (Figure 19, 20).
! **WARNING:** grease only the threads of the lambda sensor with Akrapovič anti-seize lead-free copper paste (black tube)!

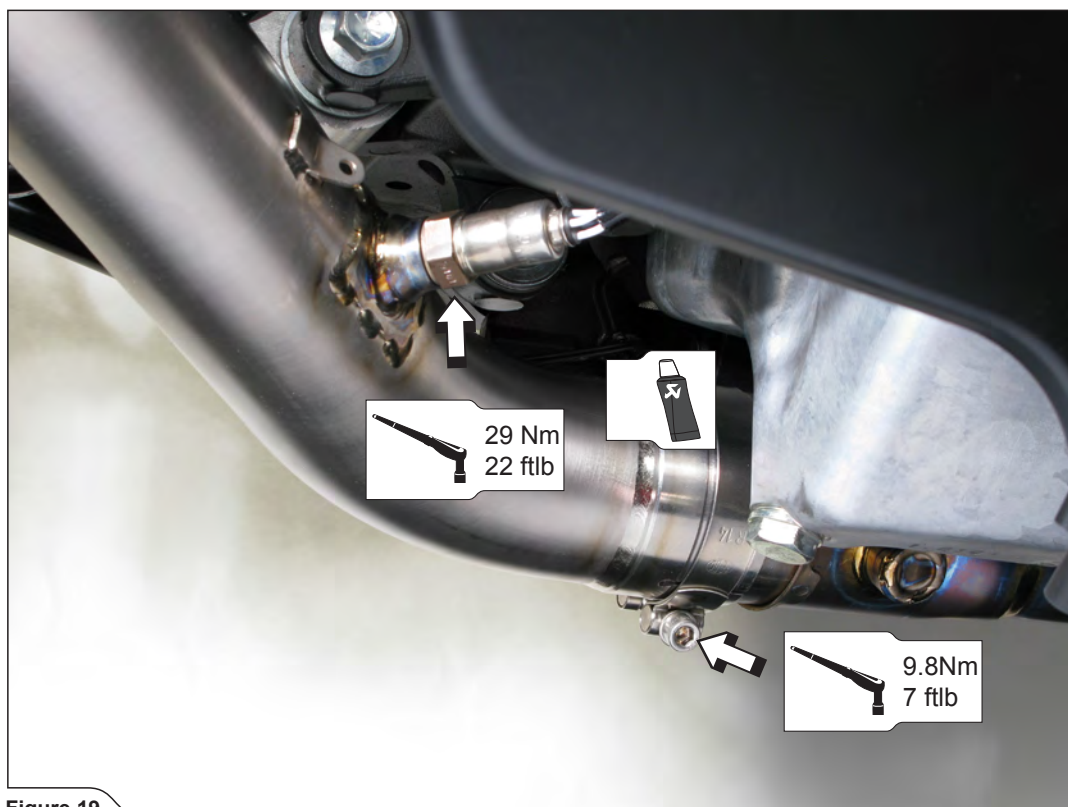


Figure 19

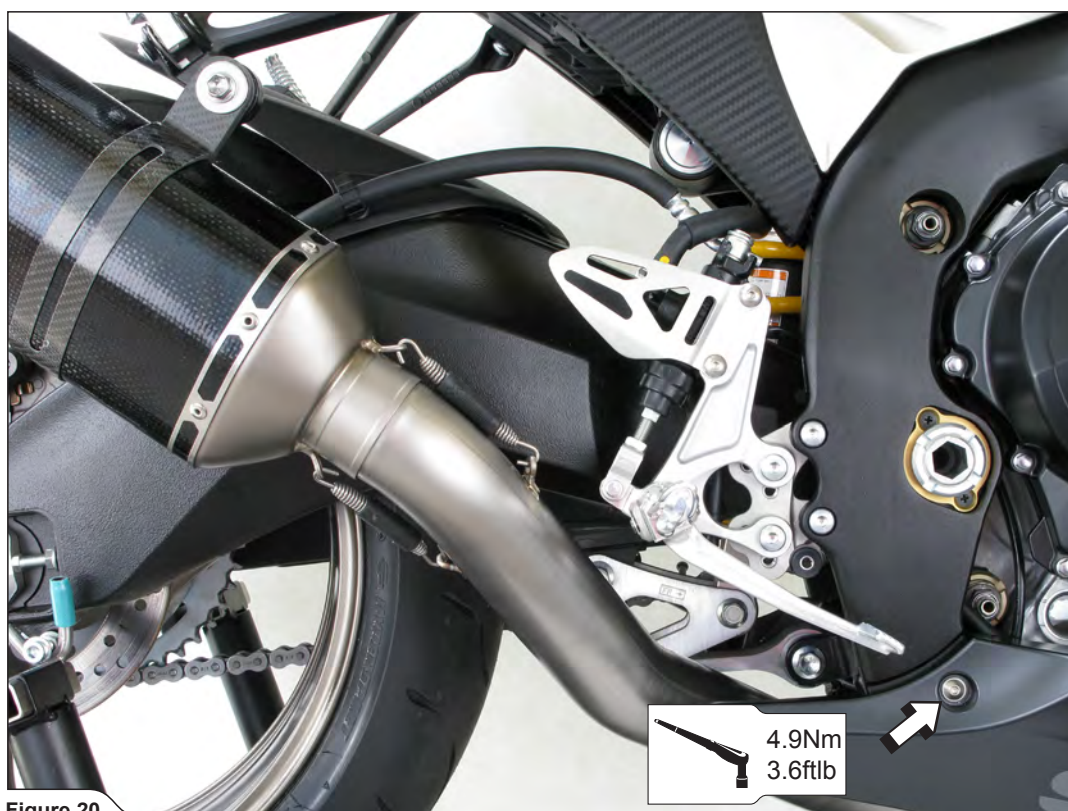


Figure 20

12. For Slip-On Single: remove the left metal collar and rubber damper from the left stock muffler bracket (Figure 21, 22).



Figure 21



Figure 22

Final installation:

Clean grease spots:

- Muffler – titanium outer sleeve: use a soft cloth sprayed with a multi-purpose spray lubricant (WD-40 or equivalent).
- Muffler – carbon-fiber outer sleeve: use a soft dry cloth.
- Slip-On with stainless steel link pipe: use a soft cloth sprayed with a contact cleaner, then wipe with a soft dry cloth.
- Slip-On with titanium link pipe: use a soft cloth sprayed with a multi-purpose spray lubricant (WD-40 or equivalent).

Cleaning will prevent spots from burning onto the surface. Do not use aggressive chemical cleaners, because they can damage the sticker.

! WARNING: make sure all the bolts are sufficiently tightened. In case the exhaust system touches the cowling or other parts repeat the adjustment of the exhaust system or contact your authorized dealer.

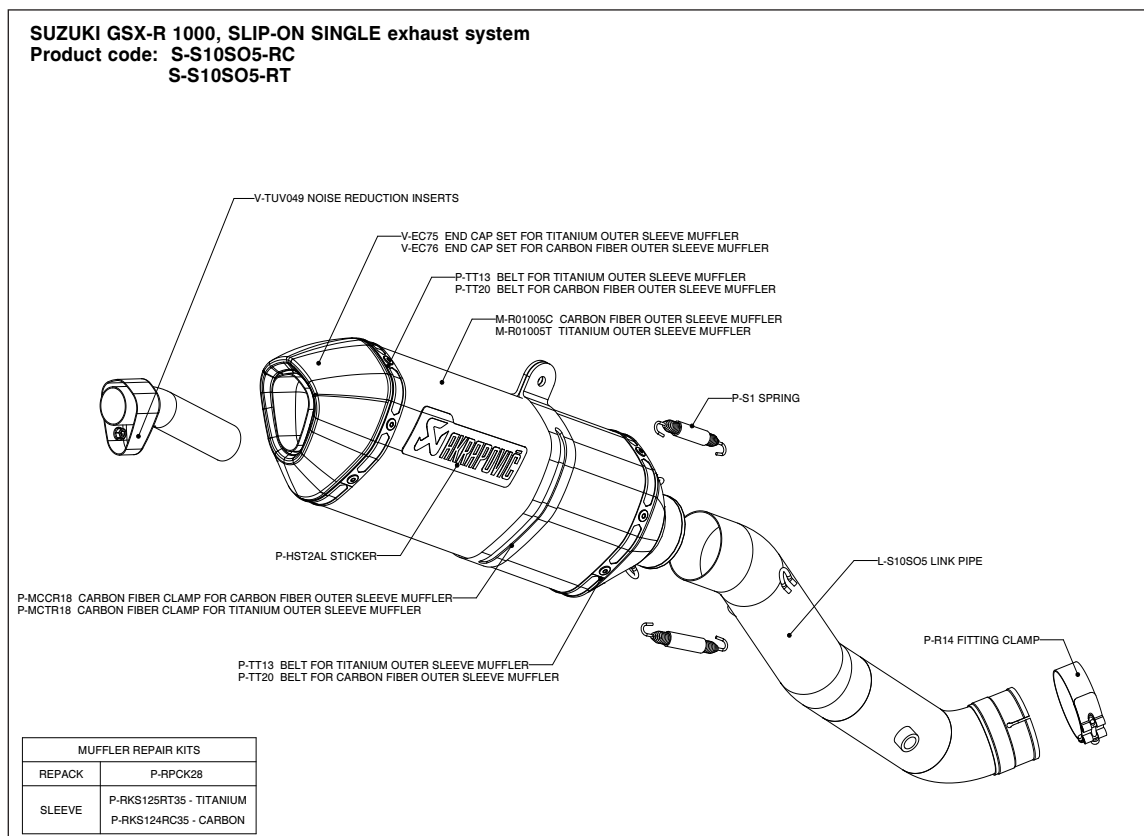
! IT IS NORMAL IF WHITE SMOKE COMES OUT OF THE MUFFLER ON FIRST OPERATION.

! DO NOT STAND BEHIND THE MUFFLER ON FIRST OPERATION.

! DO NOT USE AUTOMOTIVE WHEEL CLEANERS OR ANY CLEANING PRODUCTS WHICH CONTAIN ACIDIC ADDITIVES TO CLEAN AKRAPOVIČ EXHAUST SYSTEMS.

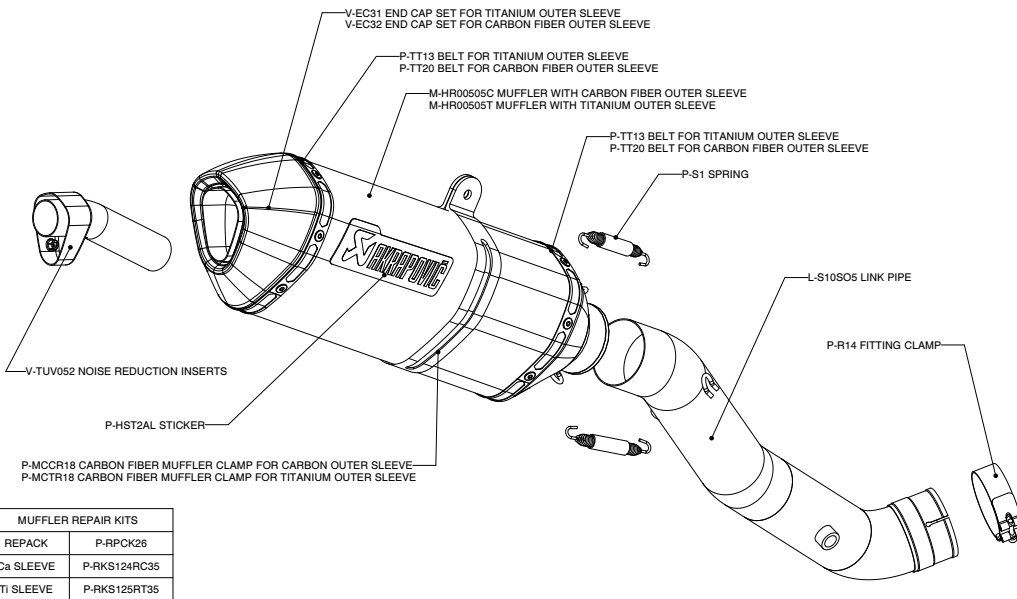
MAINTENANCE OF THE AKRAPOVIČ EXHAUST SYSTEM

- Clean the titanium exhaust components with a multi-purpose spray lubricant (WD-40 or equivalent), carbon fiber exhaust components with soft and dry cloth and stainless steel components with soft cloth sprayed with contact cleaner, then wipe with soft and dry cloth. A change in the color of the exhaust system is normal due to the high temperatures.
- Periodically make sure all the bolts and springs are sufficiently tight.



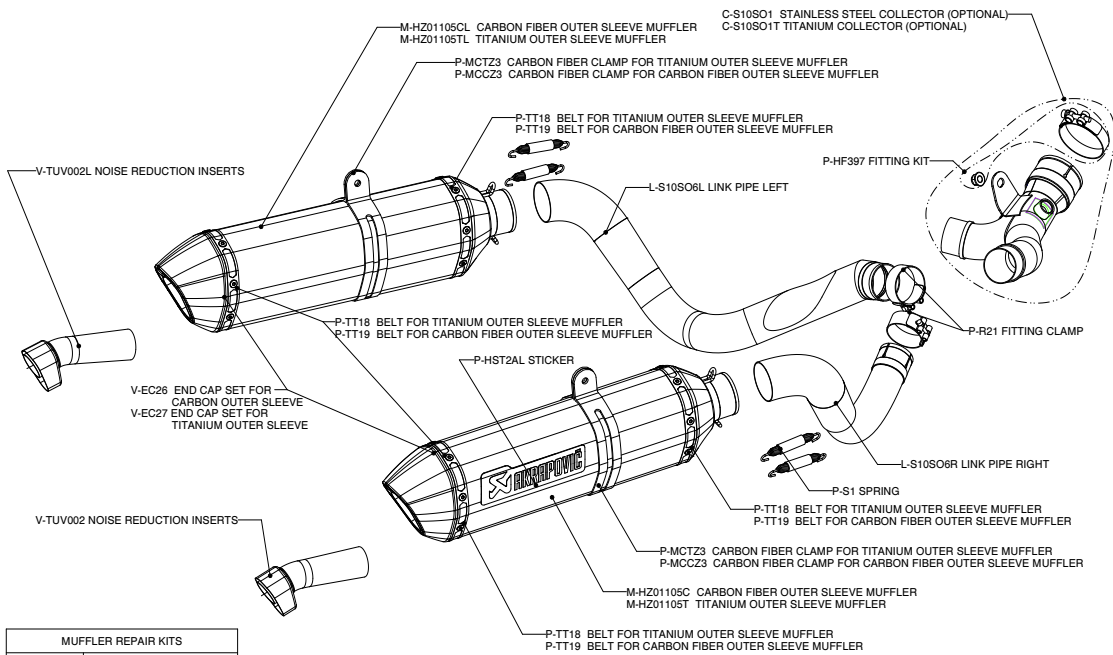
SUZUKI GSX-R 1000, Partial exhaust system / Slip-ON line with EC Type approved muffler
Product code: S-S10S05-RT/1
S-S10S05-RC/1

WARNING! MUFFLER'S EC TYPE APPROVAL IS NOT VALID FOR THIS MOTORCYCLE TYPE!



MUFFLER REPAIR KITS	
REPACK	P-RPCK26
Ca SLEEVE	P-RKS124RC35
Ti SLEEVE	P-RKS125RT35

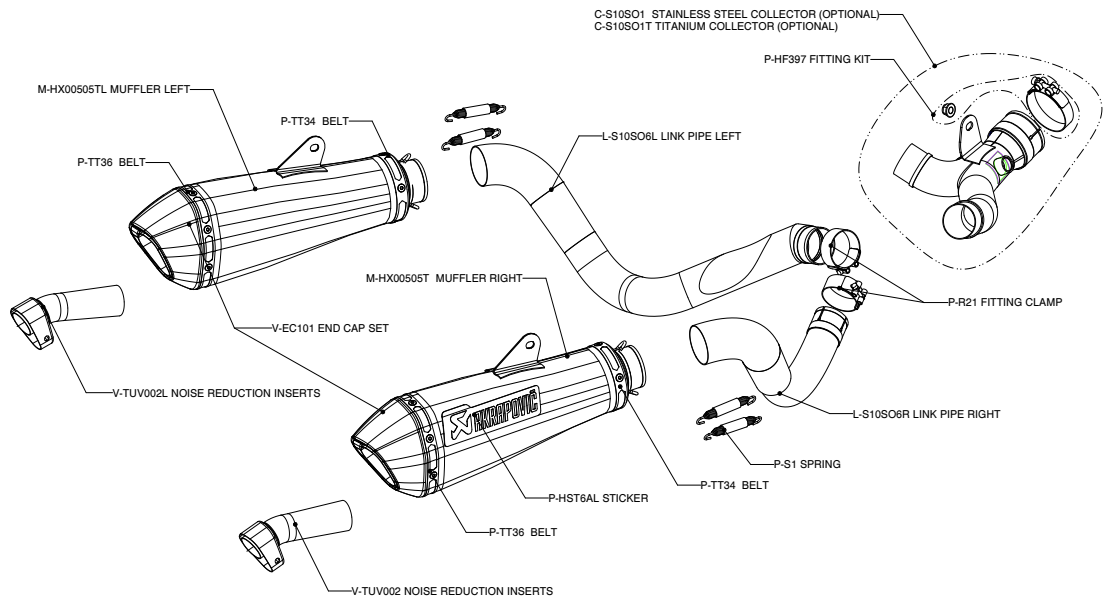
SUZUKI GSX-R 1000, SLIP-ON TWIN exhaust system / Street legal
Product code: S-S10S06-HZC
S-S10S06-HZT



MUFFLER REPAIR KITS	
REPACK	P-RPCK37
SLEEVE	P-RKS116ZT30 - TITANIUM P-RKS115ZC30 - CARBON

WARNING! IN COMBINATION WITH OPTIONAL COLLECTOR, THE SLIP ON HOMOLOGATION IS NOT VALID!

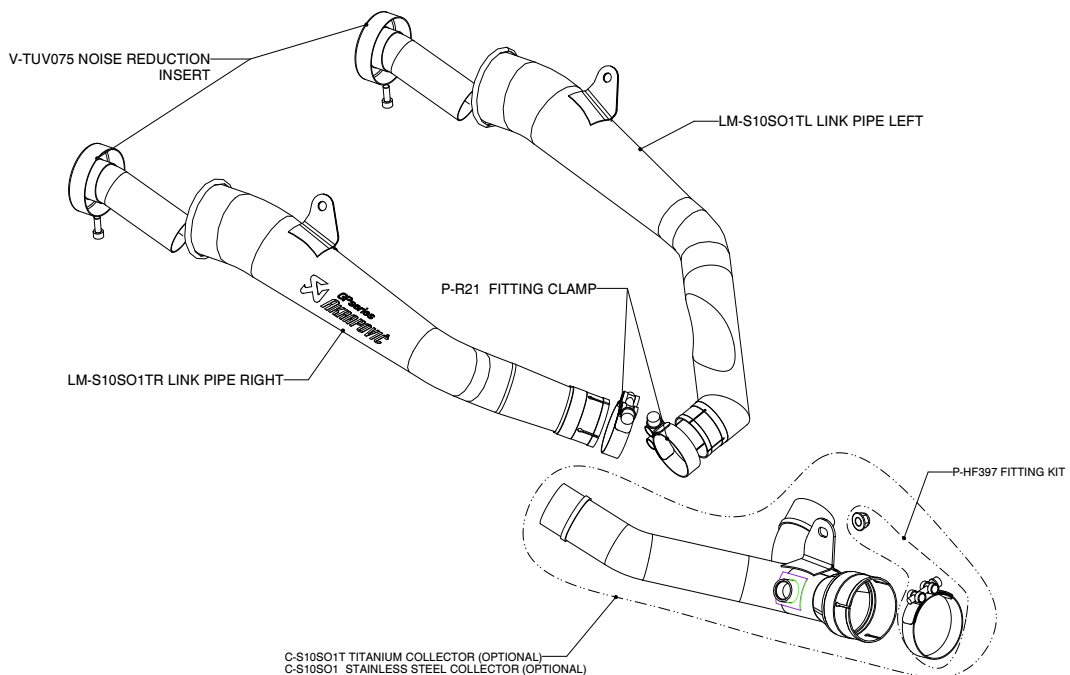
SUZUKI GSX-R 1000, SLIP-ON CZ TWIN exhaust system / Street legal
Product code: S-S10SO7-HXT



MUFFLER REPAIR KITS	
REPACK	P-RPCK36
SLEEVE for Left muffler	P-RKS24XT32
SLEEVE for Right muffler	P-RKS248XT32

WARNING! IN COMBINATION WITH OPTIONAL COLLECTOR, THE SLIP ON HOMOLOGATION IS NOT VALID!

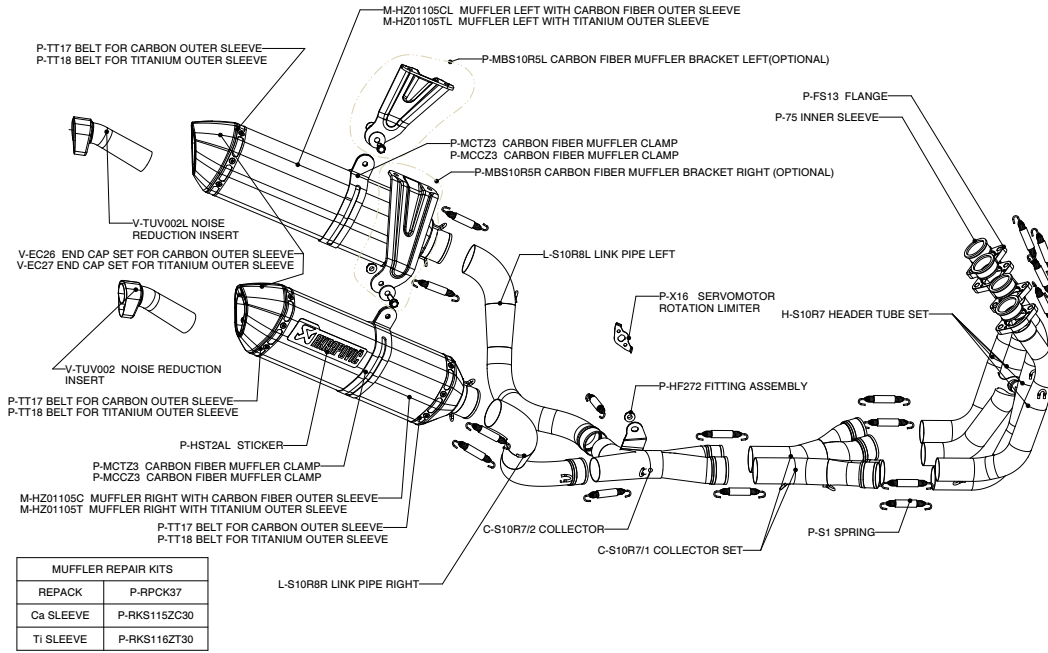
SUZUKI GSX-R1000, SLIP-ON exhaust system / MEGAPHONE
Product code: SM-S10SO1T



SUZUKI GSX-R 1000, Complete exhaust system / Racing line twin with EC Type approved mufflers

**Product code: S-S10R8-ZC/1
S-S10R8-ZT/1**

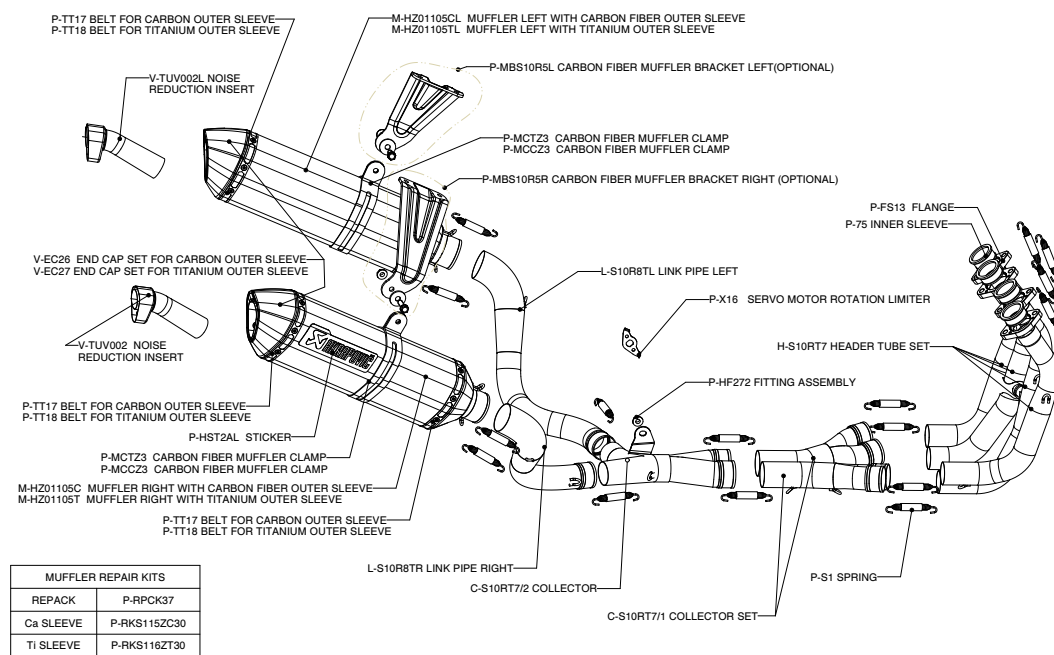
WARNING! IN CASE OF COMBINATION WITH EVOLUTION LINE TUBE SET, MUFFLER EC TYPE APPROVAL IS NOT VALID!



SUZUKI GSX-R 1000, Complete exhaust system / Evolution line twin with EC Type approved mufflers

**Product code: S-S10RFT9T-ZC/1
S-S10RFT9T-ZT/1**

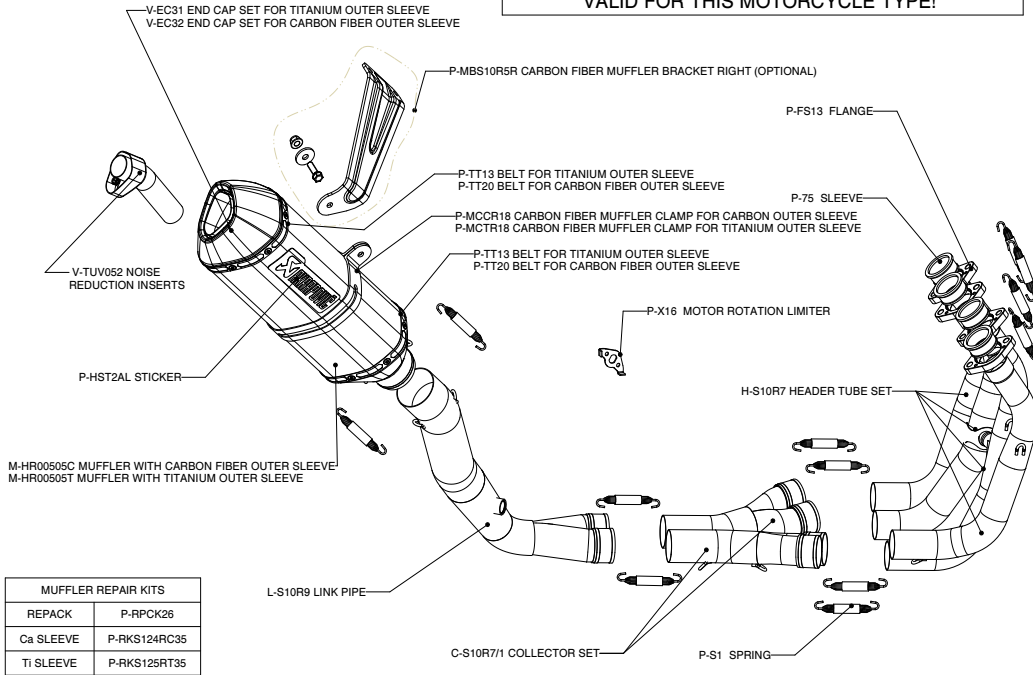
WARNING! IN CASE OF COMBINATION WITH EVOLUTION LINE TUBE SET, MUFFLER EC TYPE APPROVAL IS NOT VALID!



SUZUKI GSX-R 1000, Complete exhaust system / Racing line with EC Type approved muffler

Product code: S-S10R9-RT/1
S-S10R9-RC/1

WARNING! MUFFLER'S EC TYPE APPROVAL IS NOT VALID FOR THIS MOTORCYCLE TYPE!



SUZUKI GSX-R 1000, Complete exhaust system / Evolution line with EC Type approved muffler

Product code: S-S10E1-RT/1
S-S10E1-RC/1

WARNING! MUFFLER'S EC TYPE APPROVAL IS NOT VALID FOR THIS MOTORCYCLE TYPE!

